

**PowerBoss®**  
The Power of Clean



# Parts Catalog

## AM9D-III Sweeper

Model: AM9D-III

PowerBoss®, Minuteman International, Inc.  
A Member of the Hako Group

988750ZH AM9D Rev V 06/23  
Effective Serial 23PB1266

## PREFACE

Thank you for your purchase of the new industry standard for sweepers. Minuteman International, Inc. takes great pride in offering the most dependable, reliable, and best value in industrial power sweepers and scrubbers. We set the standard.

Our Customer Service Department would like to hear from you. If you see any errors, omissions or something that needs clarification in this Parts Catalog, please let us know. We are working hard towards continually improving our processes--to benefit you, our valued customer.

Please copy the form below, fill out and comment on how you found our manual.

Thank you!

*The PowerBoss® Team*

Name \_\_\_\_\_

Title: \_\_\_\_\_

Company Name: \_\_\_\_\_

Address: \_\_\_\_\_

Country: \_\_\_\_\_

Type of equipment or model number: \_\_\_\_\_

Comments: \_\_\_\_\_

\_\_\_\_\_

\_\_\_\_\_

Please return to:

Customer Service Manager  
PowerBoss®, Minuteman International, Inc.  
14N845 U.S. Route 20  
Pingree Grove, Illinois 60140 USA

Phone: 800-323-9420

Email: [tech@powerboss.com](mailto:tech@powerboss.com)

This is the Parts Catalog for the PowerBoss® AM9D-III Sweeper.

This Catalog covers the standard AM9D-III machine variations beginning June 2015.

We believe this machine will provide excellent service for many years.

However, the best results will be obtained if:

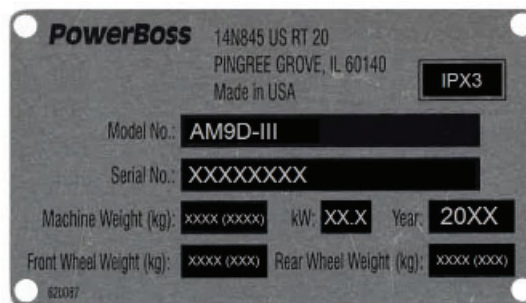
- The machine is operated with reasonable care.
- The machine is maintained regularly per the maintenance schedule provided in the User Manual.
- The machine is maintained with PowerBoss® supplied or equivalent parts.

All right side and left side references to the machine (except for engine) are determined by facing the direction of forward travel. The front of the engine or engine fan faces the rear of the machine. Some hardware considered to be common or locally available has been omitted from the parts section to make this manual clear. Be sure to use equivalent hardware when replacement becomes necessary.

The Model and Serial Number of your machine is shown on the I.D. name plate. This information is needed when contacting Technical Support or when ordering parts. The I.D. plate is mounted on the console of the machine, left of the operator and adjacent the main broom adjustment access door.

Parts may be ordered by phone, fax, or email from any PowerBoss® parts and service center. Before ordering parts or supplies, be sure to have your machine model number and serial number handy. For your convenience Fill out the data block on the next page for future reference.

**Example I.D Plate:**



<b>MACHINE DATA</b> Fill out at installation	
Serial Number:	_____
Engine Serial Number:	_____
Sales Rep.:	_____
Date of Install:	_____

All information contained in this catalog is current at the time of printing. Minuteman International, Inc. reserves the right to make changes at any time without notice.

PowerBoss®, Minuteman International, Inc., Printed in USA ©2014-2015.



## STANDARD ABBREVIATIONS

°C-Degrees Celsius	INFO-Information
°F-Degrees Fahrenheit	INT-Internal or Interior
12V-12 Volts DC	LG-Long
AR-Abrasion Resistant	LH-Left Hand
ASSY-Assembly	LPG-Liquefied Petroleum Gas
ATO-Standard Auto Fuse Type Also called ATC	LP-Liquefied Petroleum
BHSCS-Button Head Screw SS	M8x1-Indicates Metric threads, 8mm Dia with a 1mm thread pitch
BLK-Black	MM-Millimeters
BLT-Belt	MNT-Mount
BR-Brass or Broom or Brush	MS-Mid Size
BRM-Broom	OD-Outside Diameter
BRKT-Bracket	PLTD-Plated
CB-Curb Broom	REV-Reverse
CCW-Counter Clockwise	RH-Right Hand
CI-Cubic Inch	ROT-Rotation
CW-Clockwise Rotation	RTR-Rotary Trash Relocator
CYL-Cylinder	SCR-Screw
DEG-Degrees	SC-Scrubber
DIA-Diameter	SP-Service Part
DPDT-Double Pole Double Throw	SPDT-Single Pole Double Throw
ELEC-Electric	SPST-Single Pole Single Throw
ES-Elastic Stop, also Nyloc	SS-Stainless Steel
EXT-Exterior or Extended	STR-Straight
FI-Fuel Injection	ST-Straight
FS-Full Size	SUB-Sub Assembly
FTG-Fitting	THD-Thread
FWD-Forward	THK-Thick
REV-Reverse	THRU-Through
GAL-US Gallon (3.79 Liters)	UNC-Unified Nat'l Coarse Threads
GOV-Governor	UNF-Unified Nat'l Fine Threads
HD-Head	V1505-Kubota Diesel Engine
HD-Heavy Duty	W/-With
HOP-Hopper	WELD-Weldment
HSS-High Speed Steel	W/O-Without
HT-High Temperature	SP-Zinc Plated
HT-Height	
HYD-Hydraulic	
ID-Identification	
ID-Inside Diameter	
IMP-Impeller	

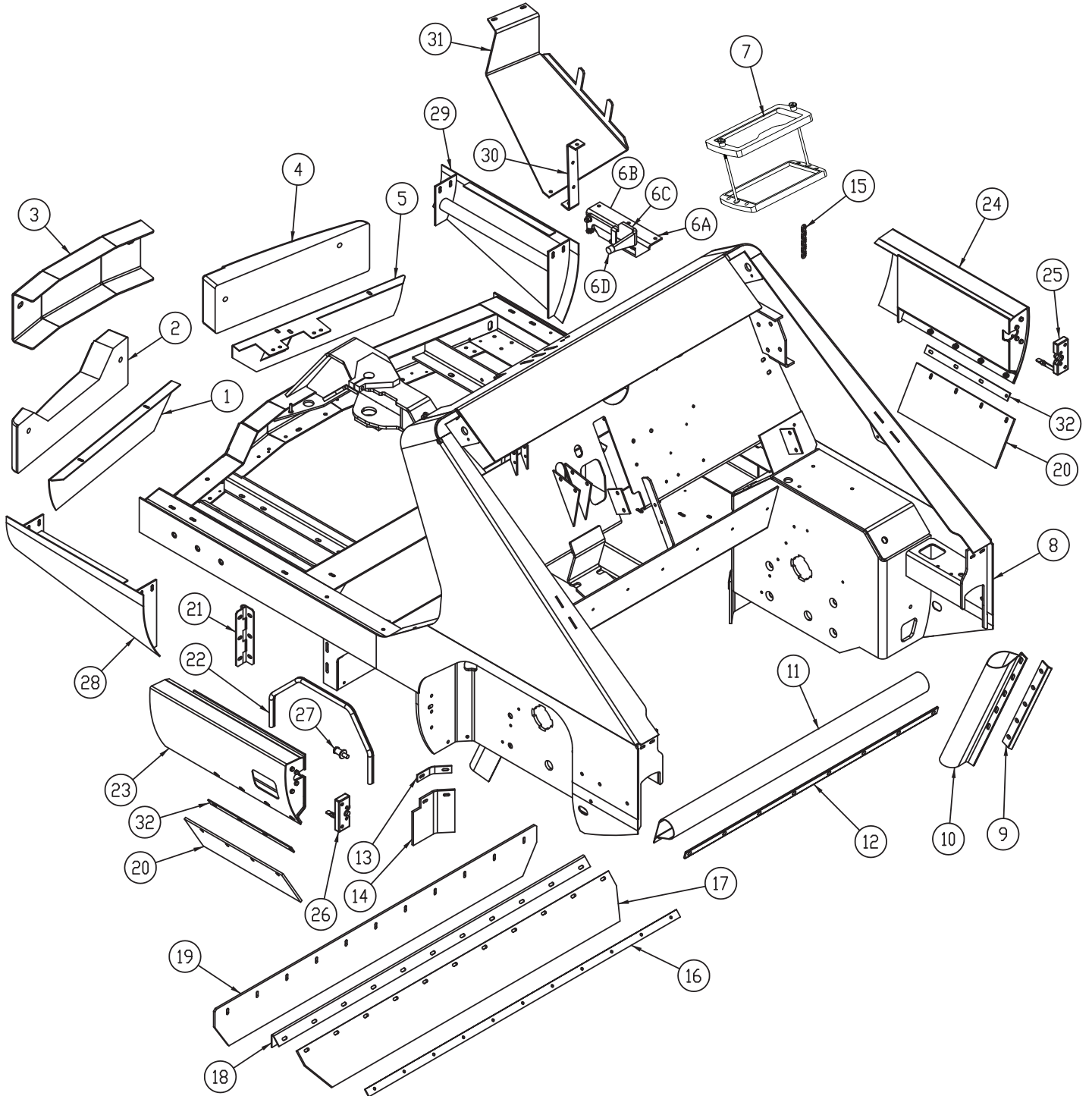
## TABLE OF CONTENTS

PREFACE.....	2
<b>TECHNICAL SPECIFICATIONS</b>	
DIMENSIONS & WEIGHT.....	4
SWEEPING SYSTEM.....	4
STANDARD ABBREVIATIONS.....	5
<b>EXPLODED DRAWINGS AND PARTS LISTS</b>	
FRAME ASSEMBLY AM9D-III.....	8
HYDRAULIC BRAKE ASSEMBLY.....	10
BRAKE - 8" ARMA L/H PN-3321450.....	14
BRAKE - 8" ARMA R/H PN-3321471.....	14
STEERING WHEEL, GAUGES & FUSES.....	16
STEERING COLUMN.....	18
SIDE BROOM ASSEMBLY - DRIVE MOTOR, ARM, AND MOUNTING.....	20
SIDE BROOM SUB ASSEMBLY - 3301474.....	22
SIDE BROOM ASSEMBLY - ADJUSTMENT COMPONENTS.....	24
ENGINE COVER, SIDE DOOR, LATCH & REAR GRILL.....	26
REAR DRIVE ASSEMBLY.....	28
DIRECTIONAL CONTROL LINKAGE ASSEMBLY.....	30
CONSOLE ASSEMBLY.....	32
SEAT, FLOOR PAN & TAIL LIGHT.....	34
LIFT & ROTATION CYLINDERS, HYDRAULIC HOSES.....	38
RTR SWITCH DETAIL LIFT ARM.....	41
HOPPER - FILTER AND SHAKER MOTOR COMPONENTS.....	42
HOPPER - COVER AND LATCH COMPONENTS.....	44
FRONT BUMPER ASSEMBLY.....	46
BATTERY COMPONENTS.....	47
ENGINE PAN, HYDRAULIC HOSE RETAINER & LATCH.....	48
FUEL TANK GASOLINE AND DIESEL.....	50
HYDRAULIC RESERVOIR ASSEMBLY.....	52
HYDRAULIC CONTROL VALVE DETAIL.....	54
IMPELLER ASSEMBLY.....	56
MAIN BROOM ASSEMBLY.....	58
SIDE BROOM & MAIN BROOM.....	60
VACUUM SWITCH.....	62

TIMER-FILTER SHAKER SEALED .....	63
GASKET MOUNT ASSEMBLY .....	64
ENGINE AIR CLEANER ASSEMBLY .....	66
ENGINE KUBOTA V1505 DIESEL - FUSE BOX ASSEMBLY .....	67
ENGINE KUBOTA V1505 DIESEL - FUSE BOX DETAILS .....	68
ENGINE KUBOTA V1505 DIESEL - ALTERNATOR, WATER PUMP, FAN, AND OIL PAN .....	70
ENGINE KUBOTA V1505 DIESEL - FLYWHEEL, STARTER, HEAD COVER, AND MANIFOLD .....	72
ENGINE KUBOTA V1505 DIESEL - FUEL SYSTEM AND SPEED CONTROL .....	74
ENGINE KUBOTA V1505 DIESEL - MOTOR MOUNTING .....	76
ENGINE KUBOTA V1505 DIESEL - EXHAUST DETAIL .....	78
ENGINE KUBOTA V1505 DIESEL - RADIATOR DETAIL .....	80
ENGINE KUBOTA V1505 DIESEL - RADIATOR DETAIL 2 .....	82
ENGINE KUBOTA V1505 DIESEL - RADIATOR COOLANT TANK & MOUNT .....	84
ENGINE KUBOTA V1505 DIESEL - RADIATOR ASSEMBLY & MOUNTING BRACKETS .....	86
ENGINE KUBOTA V1505 DIESEL - RADIATOR ASSEMBLY, CLAMPS, HOSES & SENDERS .....	88
ENGINE KUBOTA V1505 DIESEL, HYDRAULIC PUMP DETAIL .....	90
<b>OPTIONS</b>	
OPT - AIR CONDITIONING, DSL (3316990) .....	94
OPT - HEATER (690087) .....	96
OPT - HD CURB BROOM, RIGHT (3317302) .....	98
OPT - HD CURB BROOM, LEFT (3330752) .....	99
OPT - BACKUP ALARM & NEUTRAL SAFETY SWITCH (3317306) .....	100
OPT - LH CURB BROOM KIT ASSEMBLY (3338666-ZH) .....	102
DUAL CURB BROOM SUB-ASSEMBLY (3319421-1) .....	104
SIDE BROOM LIFT LH (3335420) .....	106
HYDRAULIC SCHEMATIC AM9D-III .....	108
ELECTRICAL SCHEMATIC WITH KUBOTA V1505 .....	111

## EXPLODED DRAWINGS AND PARTS LISTS

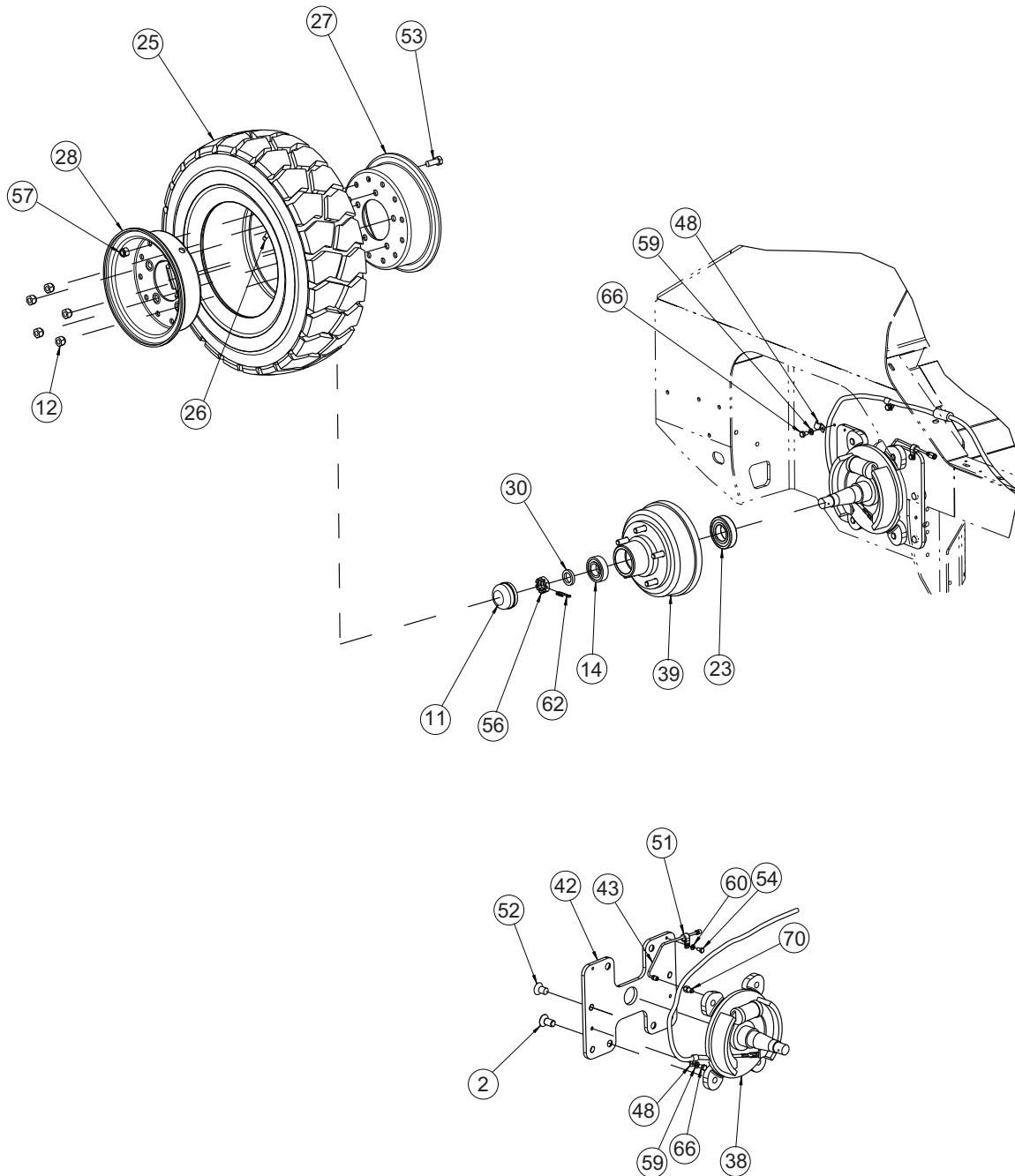
### FRAME ASSEMBLY AM9D-III

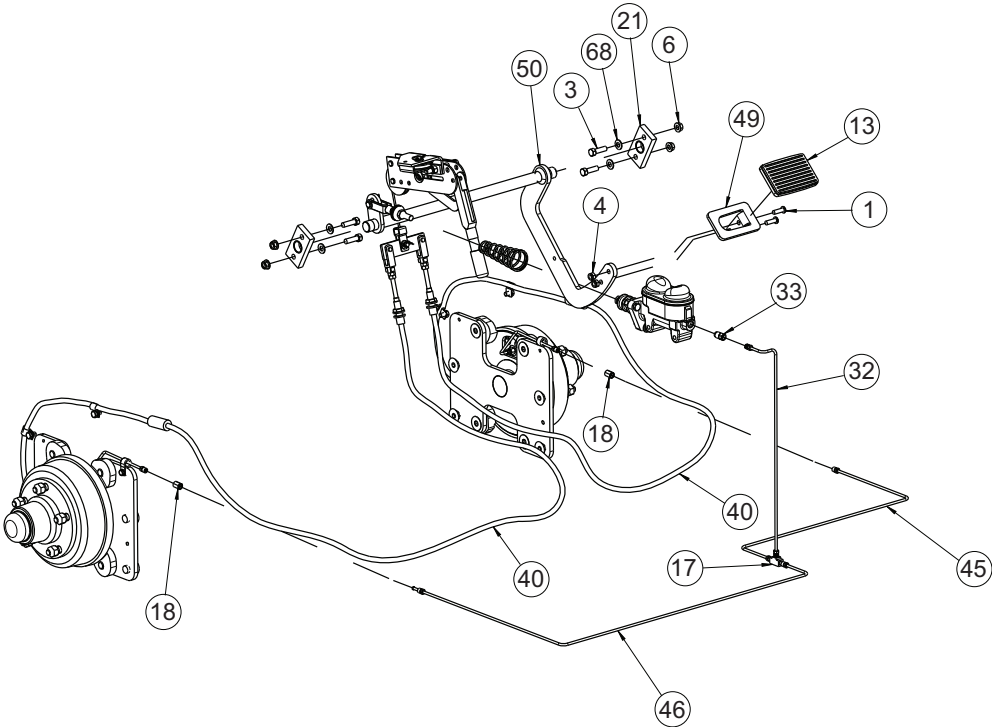
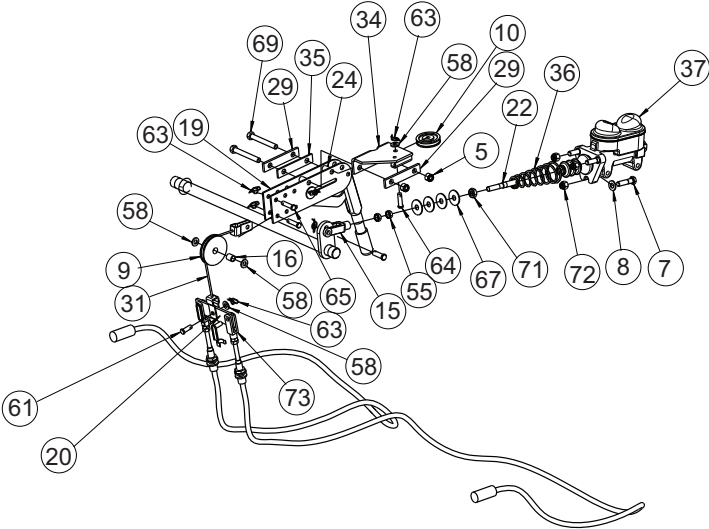




<b>FRAME ASSEMBLY AM9D</b>			
<b>ITEM</b>	<b>PART NO.</b>	<b>REQ'D</b>	<b>DESCRIPTION</b>
1	3332182M	1	SKIRT-RT REAR AM9D, DARK GRAY
2	3309707P	1	COUNTERWEIGHT-RH PAINTED
3	3332147P	1	COVER-COUNTER WEIGHT CENTER
4	3301046P	1	COUNTERWEIGHT-LH PAINTED
5	3335397M	1	SKIRT-LH REAR, AM9D, DARK GRAY
6A	3309740	1	MNT-ENG LOCK
6B	3301522	1	SPRING-EXT BRAKE ARM (NOT SHOWN)
6C	3309743	1	ARM-ENG LOCK
6D	430119	1	RUBBER CAP 1/2 ID
7	690250	1	TRAY- BATTERY, 24 SERIES
8	3335310M	1	WELD-FRAME, TIER 2,
9	3315203	2	RETAINER-HOPPER SIDE SEAL
10	3318143	2	FLAP-RUBBER HOPPER/FRAME SIDE
11	3307276	1	SEAL-FRAME HOPPER HORIZONTAL
12	3307281	1	STRAP-FRAME HOP FLAP PAINTED
13	3307287	2	STRAP-BROOM CORNER FLAP PAINTED
14	3307286	2	FLAP-BROOM CHAMBER CORNER
15	3307658	1	CHAIN-FRAME GROUNDING
16	3307283	1	STRAP-REAR FEED FLAP PAINTED
17	3307279	1	FLAP-REAR FEED
18	3307282	1	ANGLE-REAR FLAP PAINTED
19	3307278	1	FLAP-REAR HOPPER
20	3307280	2	FLAP-MAIN BROOM DOOR
21	3307275	2	HINGE-BROOM DOOR
22	3318739	2X 3.0'	WEATHERSTRIPPING-RUBBER SPONGE
23	3307265M	1	ASSY- BROOM DOOR RH
24	3307266M	1	ASSY- BROOM DOOR LH
25	3307246	1	LATCH-LH BROOM DOOR
26	3307247	1	LATCH-RH BROOM DOOR
27	3307248	2	BOLT-STRIKER BROOM DOOR LATCH
28	3307519M	1	SKIRT-RH SIDE
29	3307520M	1	SKIRT-LH SIDE
30	3307792	1	BAR-HOSE PAN SUPPORT
31	3307791	1	PAN-HOSE
32	3307284	2	STRAP - BROOM DOOR FLAP

## HYDRAULIC BRAKE ASSEMBLY



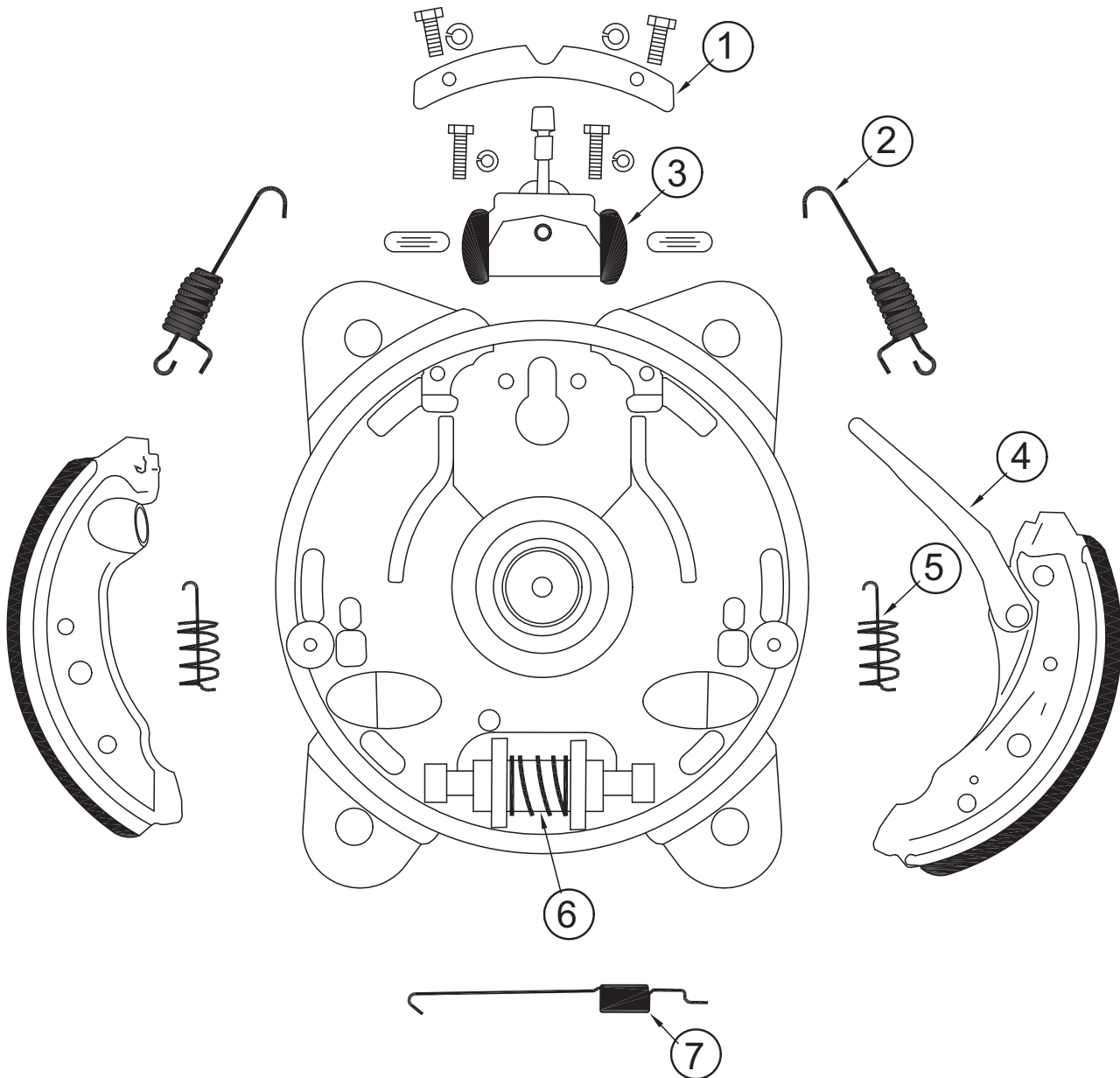


HYDRAULIC BRAKE ASSEMBLY			
ITEM	PART NO.	REQ'D	DESCRIPTION
1	3400035	2	SCR-HH 5/16-18 X 1.00 ZP GR 5
2	710009	8	SCR-FHSCS 5/8-18 X 1.25
3	711250	4	SCR-HH 3/8-16 X 1.25 ZP GR 5
4	711374	2	NUT-NYLOC 5/16-18 ZP
5	711380	2	NUT-NYLOC 3/8-16 ZP
6	711439	4	NUT-FLANGED WIZZ 3/8-16 ZP
7	3400028	3	SCR-HH 3/8-16 X 1.50 ZP GR 5
8	713616	1	WASHER-FLAT 3/8 EG, HARDENED
9	3300367	1	PULLEY-2.50 DIA BUSHED " CABLE MAX BRAKE
10	3300368	1	PULLEY-PLASTIC 2" x .25" GROOVE
11	3300369	2	CAP-HUB, 2.44" DIA, ZP
12	3300411	10	NUT-WHEEL LUG, 1/2-20 X 5/8 60 DEGREE UN
13	3300413	1	PAD-RUBBER BRAKE PEDAL
14	3300467	2	BEARING-BALL 2.44 ODx1.18 ID
15	3301447	1	CLEVIS WITH PIN AND COTTER
16	3303552	1	SLEEVE-HAND BRAKE ZP
17	3306307	1	FTG-TEE HYD BRAKE
18	3306308	2	FTG-COUPLING, 3/16" OD HYD BRAKE, BRASS
19	3303169	2	LEVER-HAND BRAKE
20	3307232	1	BAR-BRAKE EQUALIZER
21	3317118	2	ASSY- BRAKE ARM MNT 8/9/10X BURGANDY
22	3307235	1	ROD-BRAKE MASTER CYLINDER, ZP
23	3307238	2	BEARING-INNER WHEEL SW/A
24	3307241	2	SPACER-HAND BRAKE, ZP SW/A
25	3307252	2	TIRE-PNEUMATIC 650x10
26	3307253	2	TUBE-TIRE INNER, 650x10
27	3307254	2	RIM FRONT INNER SW/A PNTD
28	620214	2	RIM SET FRONT, INNER & OUTER PAINTED
29	3307273	2	BAR-HAND BRAKE SPACER, ZP SW/A
30	3307352	2	WASHER-1.016 IDx1.50 ODx.25 THK, ZP
31	3307632	1	CABLE-CENTER BRAKE, SW/A
32	3307637-1	1	BRAKE LINE 3/16 20" LONG
33	3307638	1	FTG-REDUCER
34	3307861	11	PULLEY MOUNT #3
35	3307895	1	SPACER-THIN HAND BRAKE
36	3313109	1	SPRING-PEDAL RETURN

HYDRAULIC BRAKE ASSEMBLY			
ITEM	PART NO.	REQ'D	DESCRIPTION
37	3316717	1	CYLINDER-BRAKE MASTER, ARMA
38	3321450	1	BRAKE-8" ARMA L/H
39	3332483	2	BRAKE-DRUM 8" ARMA PAINTED
40	3321452	2	CABLE-8" PARKING BRAKE (HAND)
42	3321453	2	PLATE-8" BRAKE MOUNT RH&LH
43	3321455	1	BRAKE LINE-ARMA LH, SHORT
44	3321456	1	BRAKE LINE-ARMA RH, SHORT
45	3321457	1	BRAKE LINE-ARMA RH LONG
46	3321459	1	BRAKE LINE-ARMA LH LONG
47	3321471	1	BRAKE-8" ARMA R/H
48	3332271	6	CLAMP - HALF CLIP .375 DIA STEEL
49	3337386	1	PLT - BRAKE PEDAL
50	3337539	1	WELDMENT - BRAKE BAR, HYD. ARMADILLO
51	3343082	2	CLAMP - WIRE & TUBE .562 DIA STEEL
52	3400011	8	SCR-FHSCS 5/8-11 x 1.00 ZP
53	712010	20	SCR-HH 1/2-13 X 1.25 ZP GR 5
54	3400043	2	SCR-HH 1/4-20 X .50 ZP GR 5 FULL THRD
55	3400075	2	NUT-JAM 3/8-24 ZP
56	3400076	2	NUT-CASTLE 1-14 ZP SLOTTED JAM
57	711376	20	NUT-NYLOC 1/2-13 ZP
58	3400088	4	WASHER-FLAT 5/16 X.688 X .065 ZP
59	3400102	6	WASHER-LOCK 5/16 SPLIT ZP
60	3400103	2	WASHER-LOCK 1/4 SPLIT ZP
61	3400118	1	PIN-CLEVIS 5/16 X .875 ZP
62	3400120	2	PIN-COTTER 5/32 X 2.00 ZP
63	3400125	4	RING-RUE 3/8
64	3400184	1	PIN-CLEVIS 5/16 X 1-1/8 ZP
65	3400185	2	PIN-CLEVIS 5/16x1-1/4 ZP
66	3400207	6	SCR-HH 5/16-18 X 0.50 ZP GR 5
67	3400278	4	WASHER-FENDER 3/8 X 1.25 ZP
68	3400385	4	WASHER-CONICAL SPRING 3/8
69	3400473	2	SCR-HH 3/8-16 X 3.00 ZP GR 5 FULL THREAD
70	3400969	2	FTG-ADAP M10X1.0 3/16 TUBE 3/8-24 FTHD
71	3401451	1	NUT-JAM 7/16-20 ZP
72	3401479	3	NUT-NYLOC 3/8-16 ZP YELLOW GR 8
73	3321470	2	CLEVIS-BRAKE 8MM

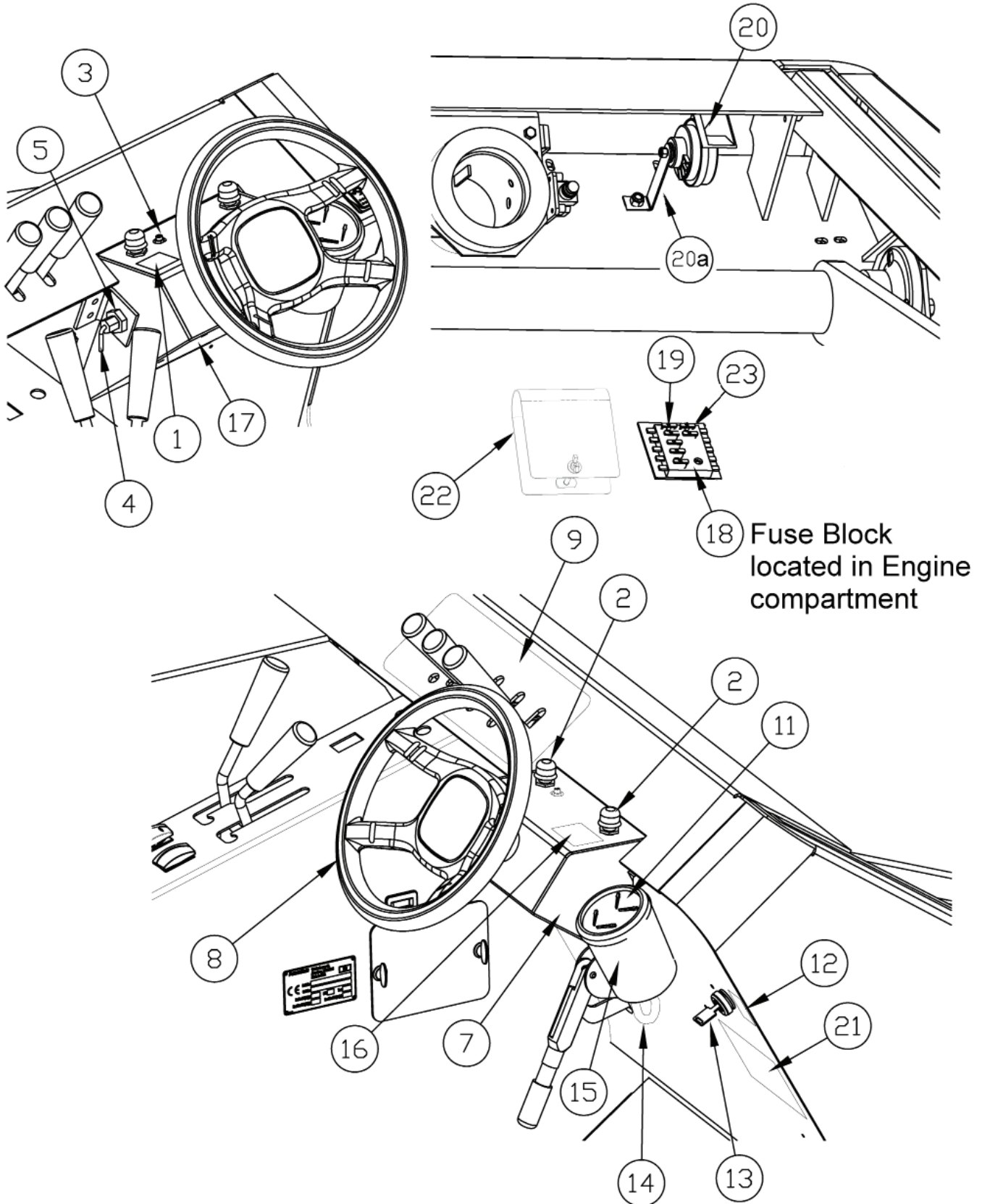
BRAKE - 8" ARMA L/H PN-3321450

BRAKE - 8" ARMA R/H PN-3321471



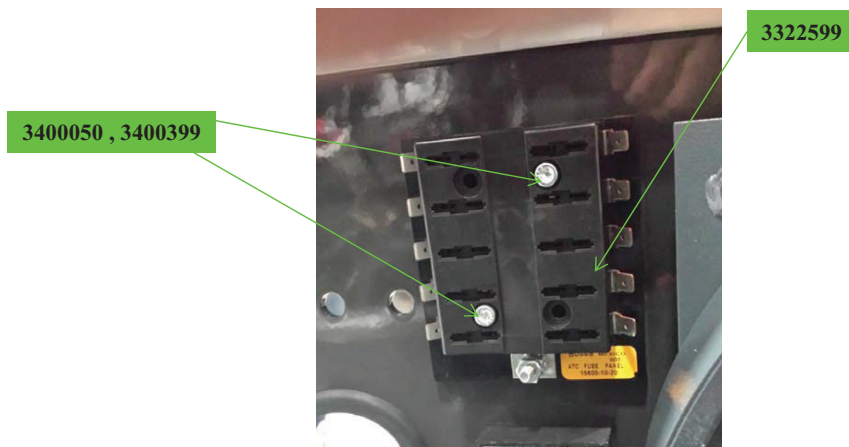
<b>BRAKE - 8" ARMA L/H PN-3321450</b>			
<b>BRAKE - 8" ARMA R/H PN-3321471</b>			
<b>ITEM</b>	<b>PART NO.</b>	<b>REQ'D</b>	<b>DESCRIPTION</b>
1	3321462	1	RETAINER-BRAKE 8" PLATE
2	3321465	2	SPRING-TENSION
3	3321461	1	ASSEMBLY-WHEEL CYLINDER, 8" BRAKE
4	3321467	1	BRAKE SHOE SET-8" LH (SHOWN)
4	3334766	1	BRAKE SHOE SET-8" RH (NOT SHOWN)
5	3321466	2	SPRING-HOLD DOWN
6	3321463	1	ASSEMBLY-MANUAL BRAKE ADJUSTER
7	3321464	1	SPRING-RETURN, 8" BRAKE

## STEERING WHEEL, GAUGES & FUSES



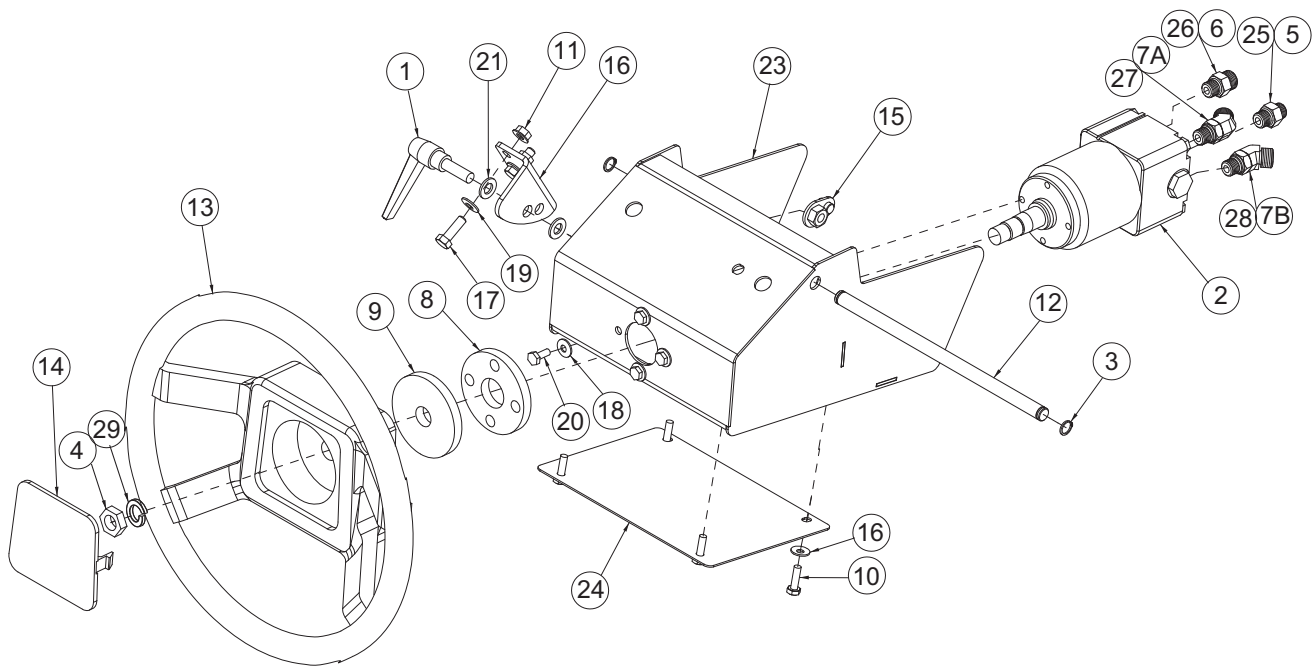


STEERING WHEEL, GAUGES & FUSES			
ITEM	PART NO.	REQ'D	DESCRIPTION
1	3302520	1	DECAL-"FILTER SHAKER"
2	749073	2	SWITCH, HORN W/HARNESS
3	3026924	1	CIRCUIT BREAKER-45 AMP
4	600260	1	KNOB LEVER
5A	3338622	1	WDT - TILT STEERING LOCK
5B	3400192	2	NUT-HEX JAM 5/8-11 ZP
5C	12310058	1	WSR-FLT M10.5 X 20 X 2 STL
7	3338616P	1	WDT - AM9D TILT STEERING BOX
8	610000	1	STEERING WHEEL
9	3307594	1	DECAL-FRONT PANEL SW/A
11	3333721	1	GAUGE-4 IN 1, 3.50" DIA
12	3307599	1	DECAL-IGNITION SW/A
13	749072	1	SWITCH, IGNITION W/HARNESS
14	3335096	1	HARNESS-GAUGE
15	3333719P	1	WELDMENT-GAUGE MOUNT
16	3302525	1	DECAL-"HORN"
17	3338621P	1	COVER - PLT, TILT STEERING, AM9D
18	3322599	1	FUSE BLOCK-ATO, 10 POSITON
19	3322601	5	FUSE-15 AMP AUTOMOTIVE PUSH IN
20	3300379	1	HORN-AUTOMOTIVE 12V STANDARD
20a	704202	1	HORN MOUNTING BRACKET
21	3301854	1	DECAL-CAUTION
22	690104	1	ASSY, RUBBER FUSE BOX COVER
23	3335380	2	FUSE-25 AMP STD, AUTO



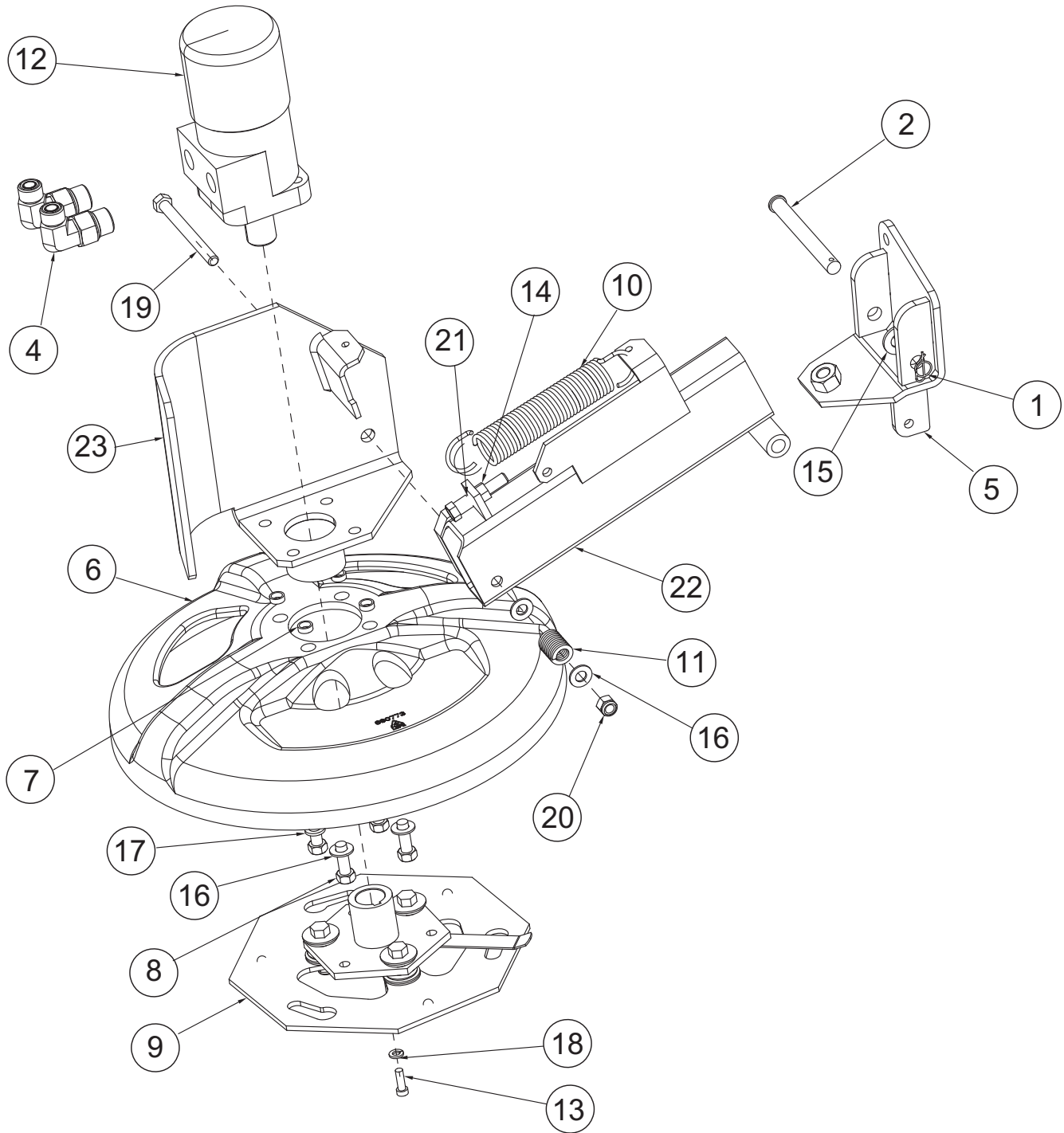
**NOTE:** Do Not Forget to install **690103** rubber flap to protect fuse box.

## STEERING COLUMN



<b>STEERING COLUMN</b>			
<b>ITEM</b>	<b>PART NO.</b>	<b>REQ'D</b>	<b>DESCRIPTION</b>
1	600260	1	KNOB, LEVER
2	600368	1	STEERING UNIT
3	600569	2	RETAINING RING, EXT .50 HD
4	620057	1	NUT, JAM M16-1.50 STL ZP
5	675511	1	FTG-STR THD CONNECTOR -4 ORFS TO -6 SA
6	675515	1	FTG-STR THD CONNECTOR -6 ORFS TO -6 SA
7A	675552	1	FTG-STR THD 45 -6 ORFS TO -6 SAE
7B	675552	1	FTG-STR THD 45 -6 ORFS TO -6 SAE
8	690152	1	DUST RING, STEERING
9	690160	1	DUST RING, STEERING, UPPER
10	711206	4	BLT-HH 1/4-20 X .87 STL ZINC
11	711379	2	NUT-FLANGED WIZZ 5/16-18
12	750075	1	SHAFT - TILT STEERING PIVOT
13	610000	1	STEERING WHEEL, POWERBOSS
14	610001	1	STEERING WHEEL CAP, POWERBOSS
15	3338622	1	WDT - TILT STEERING LOCK
16	3338625	1	BRKT - TILT STEERING
17	3400035	2	SCR-HEX,5/16-18X1.00 ZP
18	3400383	8	WASHER-CONICAL SPRING 1/4
19	3400384	2	WASHER-CONICAL SPRING 5/16
20	11038072	4	BOLT, M6-100 X 16H
21	12310058	2	WSR-FLT M10.5 X 20 X 2 STL 140HV ZD DIN
23	3338616P	1	WDT - AM9D TILT STEERING BOX
24	3338621P	1	COVER - PLT, TILT STEERING, AM9D
25	675407	1	HYD HOSE - AUX PUMP TO PS UNIT
26	675411	1	HYD HOSE - PS UNIT TO ROT ACT P2
27	675409	1	HYD HOSE - PS UNIT TO RESV
28	675410	1	HYD HOSE - PS UNIT TO ROT ACT P1
29	712315	1	WASHER-LOCK 5/8 SPLIT ZP

## SIDE BROOM ASSEMBLY - DRIVE MOTOR, ARM, AND MOUNTING

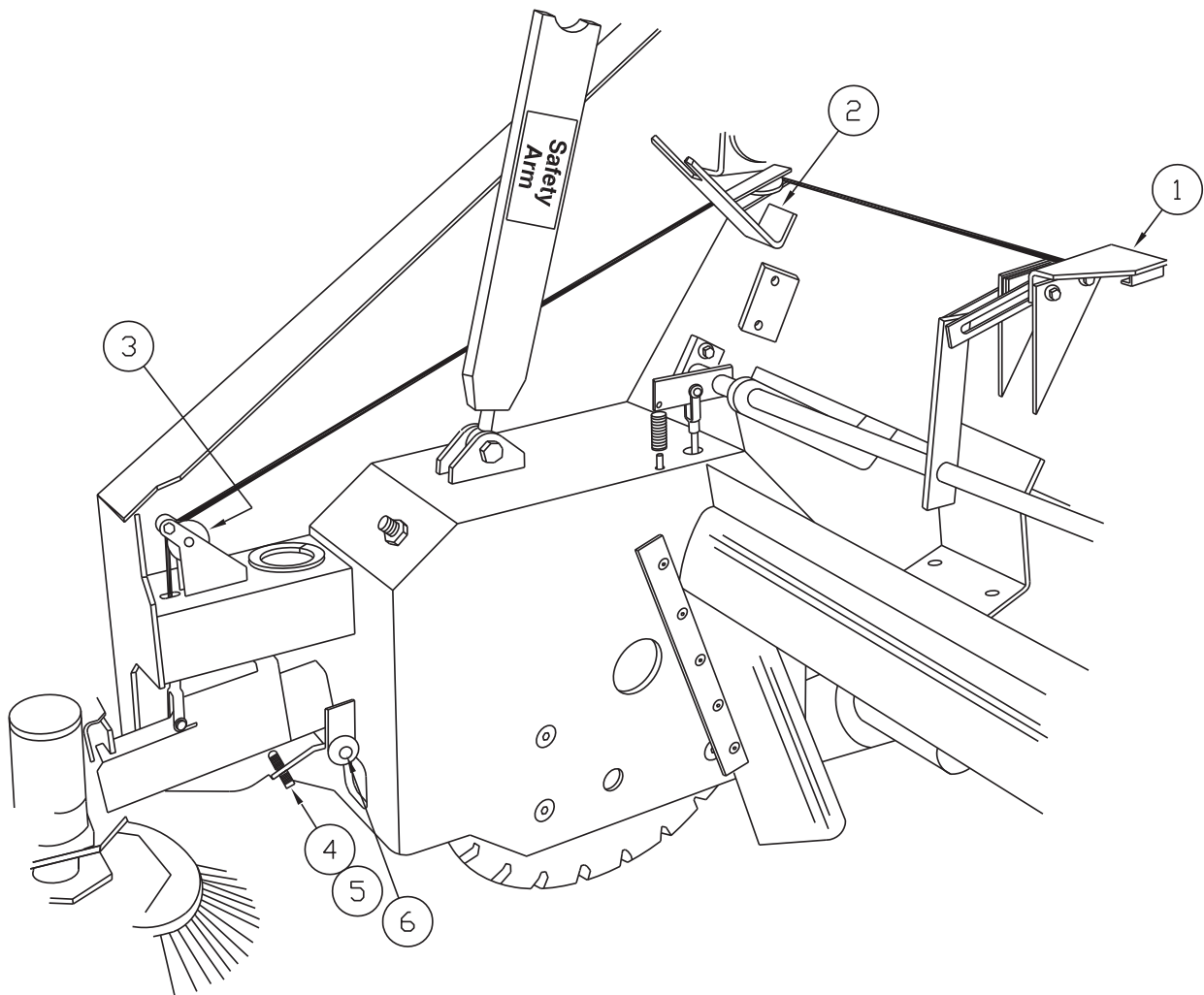
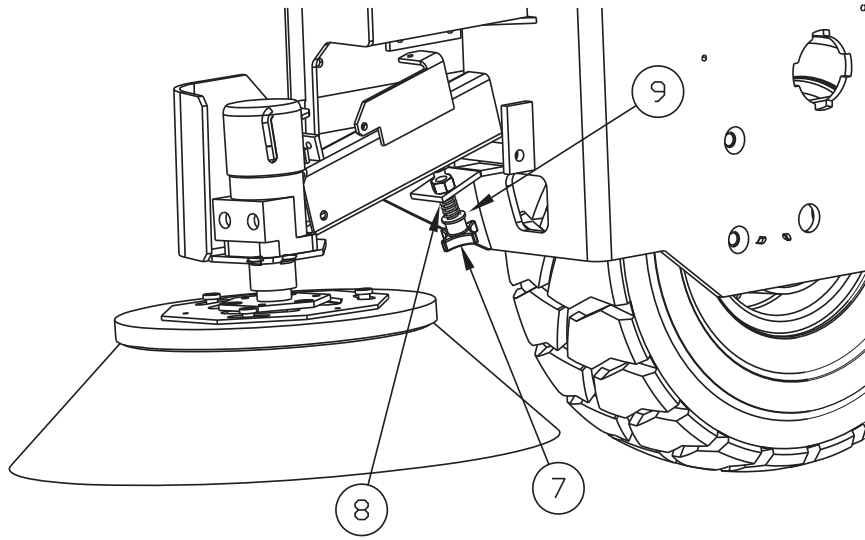


<b>SIDE BROOM ASSEMBLY - DRIVE MOTOR, ARM, AND MOUNTING</b>			
<b>ITEM</b>	<b>PART NO.</b>	<b>REQ'D</b>	<b>DESCRIPTION</b>
1	3400124	1	RING-RUE 5/8
2	620027	1	PIN-CLEVIS 1/2 X 4.50 ZP
3	675452	1	HOSE KIT - 9X/AM9D CURB BROOM ( <b>NOT SHOWN</b> )
4	675528	2	FTG-ORFS 90 ELBOW -8 -10 SAE
5	690613	1	WELDMENT, RH SB MNT
6	690773	1	SHROUD, SIDE BROOM
7	690784	4	SPACER- .500 OD, .382 ID, .188 THK, ALU
8	711251	4	SCR-HH 3/8-16 X 1.125 GR 5 ZP
9	3301474	1	ASSY- DRIVE SCRUB BRUSH CB SUB
10	3302599	1	SPRING-EXT LOOPS-IN-LINE ZP
11	3306179	1	SPRING-COMPRESSION, CURB BROOM
12	3316897	1	MOTOR-HYD CURB BRM(EXCEPT 62E)
13	3400049	1	SCR-SHCS 1/4-20 X 0.75 BLK OX NYL PATCH
14	3400068	1	NUT-HEX 3/8-16 ZP GR 5
15	3400086	1	WASHER-FLAT 1/2 ZP
16	3400087	6	WASHER-FLAT 3/8 ZP
17	3400101	4	WASHER-LOCK 3/8 SPLIT ZP
18	3400103	1	WASHER-LOCK 1/4 SPLIT ZP
19	3400258	1	SCR-HH 3/8-24 X 4.00 ZP GR 5
20	3400342	1	NUT-NYLOC 3/8-24 ZP
21	3401454	1	SCR-HH 3/8-16 X 2.00 ZP GR 5 TAP
22	3307527P	1	WELD-RH CURB BROOM ARM, AM9D
23	3307654P	1	RH SIDE BROOM MOUNT, AM9D



<b>SIDE BROOM SUB ASSEMBLY - 3301474</b>			
<b>ITEM</b>	<b>PART NO.</b>	<b>REQ'D</b>	<b>DESCRIPTION</b>
1	3300465	3	ISOLATOR-RUBBER (.375ID X .81OD)
2	3300526	3	BUMPER-RUBBER 1/4 ID X 1/8 THK
3	3300875	1	DR HUB SC BR
4	3301262	1	PLATE-GIMBAL SC HD PLTD
5	3302058	1	BAR-CURB BROOM RETAINER ZP
7	3400028	3	SCR-HH 3/8-16 X 1.50 ZP GR 5
8	713002	2	SCR-HH 1/4-20 X .75 ZP 5
9	711380	3	NUT-NYLOC 3/8-16 ZP
10	711373	2	NUT-NYLOC 1/4-20 ZP
11	3400278	9	WASHER-FENDER 3/8 X 1.25 ZP

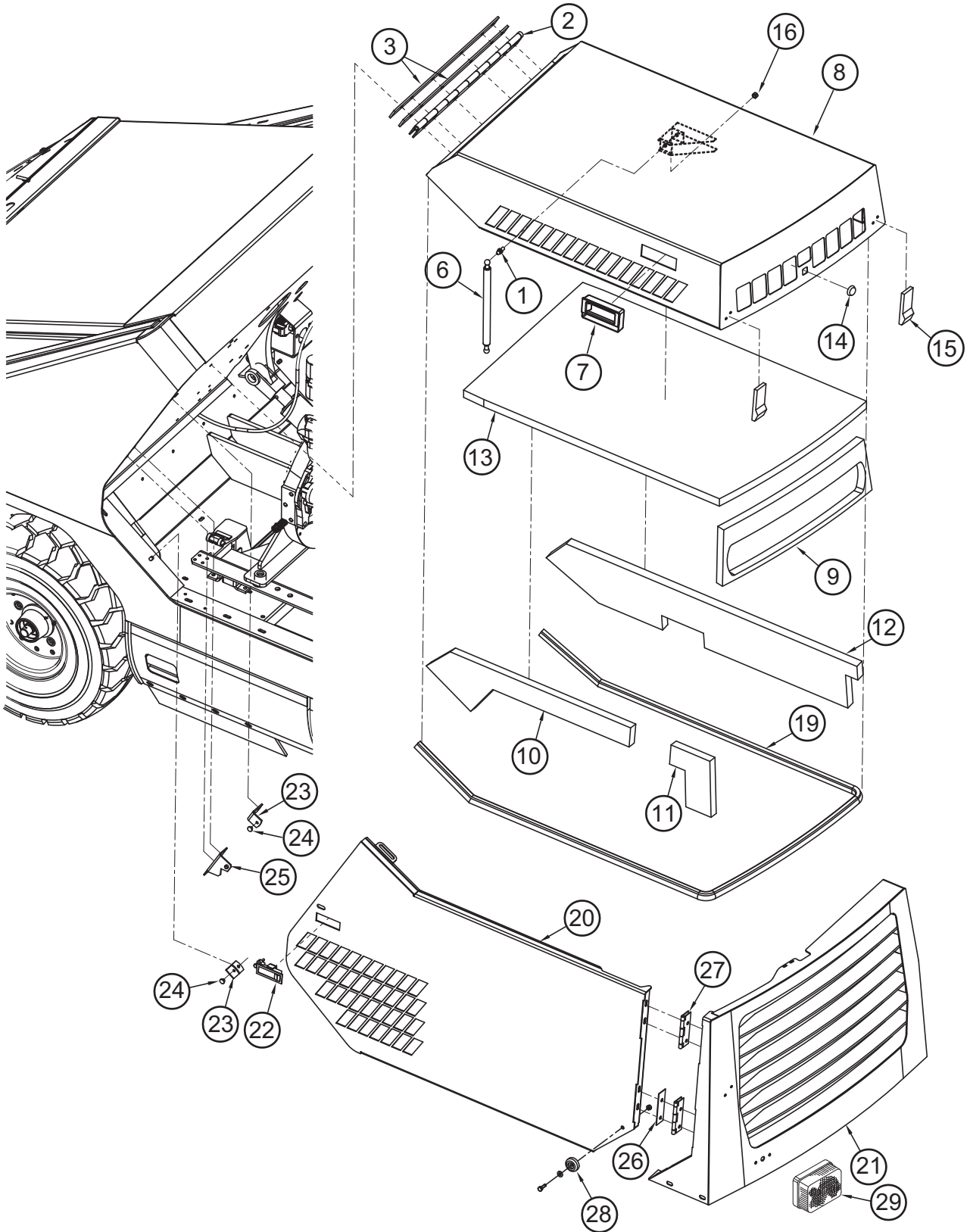
## SIDE BROOM ASSEMBLY - ADJUSTMENT COMPONENTS





<b>SIDE BROOM ASSEMBLY - ADJUSTMENT COMPONENTS</b>			
<b>ITEM</b>	<b>PART NO.</b>	<b>REQ'D</b>	<b>DESCRIPTION</b>
1	3307861	1	WELDMENT-PULLEY MOUNT #3
2	3307865	1	WELDMENT-SAFETY ARM RETAINER/PULLEY MOUNT
3	3300368	3	PULLEY-PLASTIC $\phi$ 2", $\phi$ .25" GROOVE
4	3400404	1	SCR-SET,1/2-20X3.00
5	3400449	1	NUT-HEX JAM 1/2-20 (NOT SHOWN)
6	620027	1	PIN-CLEVIS 1/2 X 4-1/2
7	3400404	1	SCR-SET,1/2-20X3.00
8	3400449	1	NUT-HEX JAM 1/2-20 ZP
9	3400086	1	WASHER-FLAT 1/2 STANDARD ZP

## ENGINE COVER, SIDE DOOR, LATCH & REAR GRILL

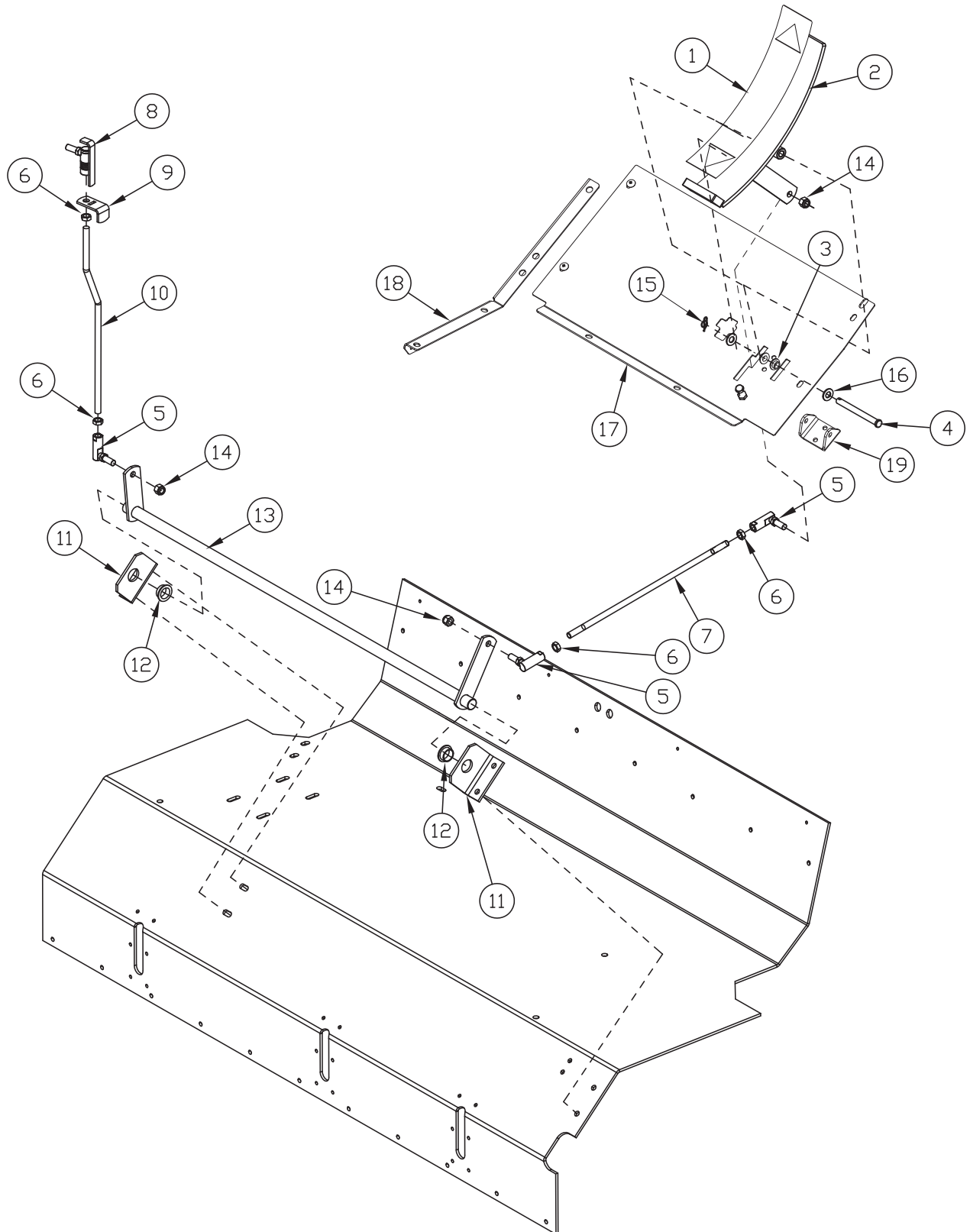


<b>ENGINE COVER, SIDE DOOR, LATCH &amp; REAR GRILL</b>			
<b>ITEM</b>	<b>PART NO.</b>	<b>REQ'D</b>	<b>DESCRIPTION</b>
1	3300376	1	STUD-BALL 10MM
2	3307503	1	HINGE ENGINE COVER
3	3307504	2	SPACER ENGINE COVER HINGE FRAME SIDE
6	3308767L	1	GAS SPRING-8" STROKE, LOCKING
7	3335146	1	HANDLE - RECESSED NYLON INSET (.07-.13 WALL)
8	3336780BRM	1	ENGINE COVER AM9D , BURGUNDY
9	690129	1	INSULATION - ENG COVER BACK
10	690127	1	INSULATION - ENG COVER LH FRONT PANEL
11	690128	1	INSULATION - ENG COVER LH BACK PANEL
12	690130	1	INSULATION - ENG COVER RT 9X
13	690131	1	INSULATION - ENG COVER TOP 9X
14	3330356	1	PLUG-PLASTIC HOLE, 3/4, 7 GA
15	3307719	2	LATCH-RUBBER SOFT
16	711374	1	NUT-HEX 5/16-18 ES
19	3500198	8.5'	SEAL-TRIM 90 DEG. MOUNT
20	3336786BRM	1	SIDE DOOR AM9D, BURGUNDY
21	3335437BRM	1	RADIATOR GUARD AM9D , BURGUNDY
22	3300380	1	LATCH ASSY-#C2-10-301-50
23	3335015	2	PLATE-STOP, SIDE DOOR, ARMA PLATED
24	3300526	2	BUMPER-RUBBER 1/4IDx1/8 THK
25	3335174	1	SIDE DOOR STRIKE ARMA
26	3307560	-	SPACER-METAL, 0.060" SIDE DOOR SW/A
27	3307513	2	HINGE-SIDE DOOR
28	3302482	1	BUMPER-RUBBER, 1.5" DIA, 5/8 THK
29	3303204-2	1	TAIL LIGHT - 12V COMBINATION ASSY



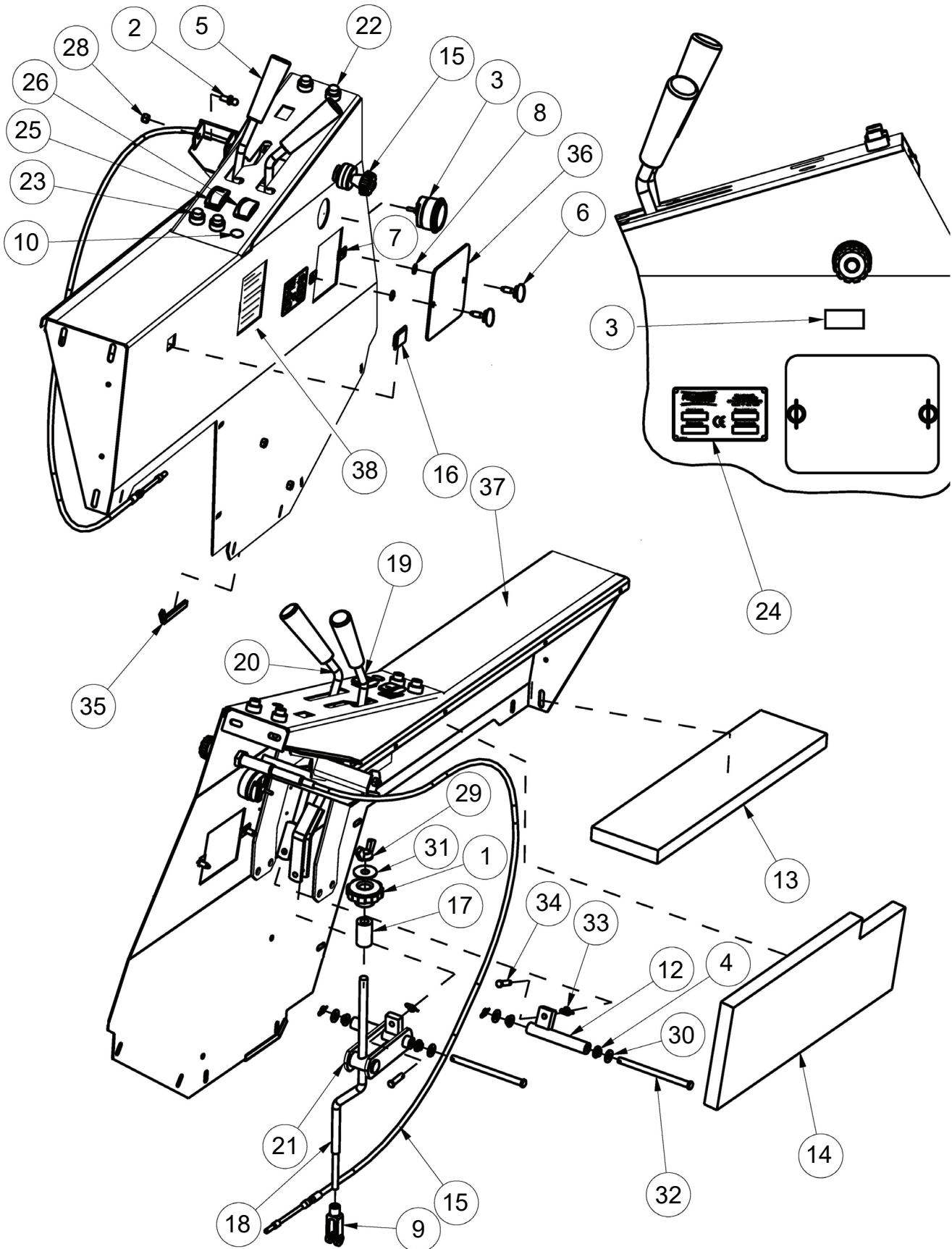
<b>REAR DRIVE ASSEMBLY</b>			
<b>ITEM</b>	<b>PART NO.</b>	<b>REQ'D</b>	<b>DESCRIPTION</b>
1	600178	1	ROD END FEM 3/4-16 W/ZERK
2	600939	1	NUT 3/4-16 JAM
3	675501	2	FTG-45 DEG STR ELBOW -10 ORFS TO -12 SAE
4	675508	1	FTG-STR THD CONNECTOR -4 ORFS TO -4 SA
5	675518	2	FTG-STR THD ELBOW -6 ORFS TO -5 SAE
6	690003	1	CYL STEERING FORK
7	690025	1	STEERING CYL
8	710120	2	SCREW, HHCS, 1/2-13 X 2 GRD 8
9	710121	2	WASHER, NORDLOCK (2PC), 1/2 CARBON STEEL
10	710122	2	NUT, 3/4-10, NYLON LOCKING, LOW PROFILE
11	711376	4	NUT-NYLOC 1/2-13
12	711380	2	NUT-NYLOC 3/8-16 NUT
13	712318	2	WSR- FLAT .75 X 1.12 X .12 PL
14	713048	2	BLT-HH 3/8-16 X 2 1/2 #5
15	3300411	5	NUT-WHEEL LUG, 1/2-20 UNF
16	3300470	2	BEARING-TAPERED ROL CUP
17	3300471	2	BEARING-TAPERED ROLCONE W/SEAL
18	3306809	1	MOTOR - HYD, 400 SERIES
19	3307021	1	ASSY-TIRE REAR
20	3307347P	1	HUB-REAR SW/A, BLACK
21	3307348	5	STUD - WHEEL, 1/2-20X 1.63 (REAR SW/A)
22	3337860	1	SPACER-STEERING FORK
23	3400020	4	SCR-HEX, 1/2-13 X 2.00 ZP
24	3400120	1	PIN-COTTER 5/32 X 2.00 ZP
25	3400223	1	NUT-SLOTTED, 1-20 UNEF
26	3400422	2	SCR-HEX, 3/4-10 X 5.00 ZP
27	3307349P	1	PIN - REAR FORK
28	3317370P	1	WELDMENT-CYL STEERING MOUNT
29	REF	1	WELDMENT- FRAME, AM9D/9X

## DIRECTIONAL CONTROL LINKAGE ASSEMBLY



<b>DIRECTIONAL CONTROL LINKAGE ASSEMBLY</b>			
<b>ITEM</b>	<b>PART NO.</b>	<b>REQ'D</b>	<b>DESCRIPTION</b>
1	3335609	1	PAD-FOOT PEDAL, ANTI-SKID, 2" X 9.5"
2	3337390	1	PEDAL - FWD/REV, 1-PC
3	3300414	2	BUSHING-PLASTIC FLANGED, .375IDx.50OD
4	711681	1	PIN-CLEVIS, 3/8x4
5	3300461	2	BALL JOINT-3/8-24
6	3400075	4	NUT-JAM, 3/8-24
7	3307222	1	ROD-DIRECTIONAL CONTROL, DIESEL
8	3307611	1	QUICK RELEASE- FWD/REV
9	3307613	1	HANDLE-QUICK RELEASE
10	3307938	1	ROD-DIRECTIONAL CONTROL DIESEL
11	3307223	2	MOUNT-DIRECTIONAL CONTROL BUSHING
12	3307220	2	BUSHING-PLASTIC FLANGED, .76IDx.88OD
13	3307215	1	DIRECTIONAL TORQUE TUBE
14	3400342	4	NUT-HEX 3/8-24 ES ZP
15	3400125	1	PIN-COTTER 3/8 RUE-RING
16	3400087	1	WASHER-FLAT 3/8 STANDARD ZP
17	3337387P	1	FLOOR BOARD - UPPER, AM9D
18	3337542	1	ASSY - 9XR FLOORBOARD LEDGE
19	3337389	1	MOUNT - FWD/REV PEDAL

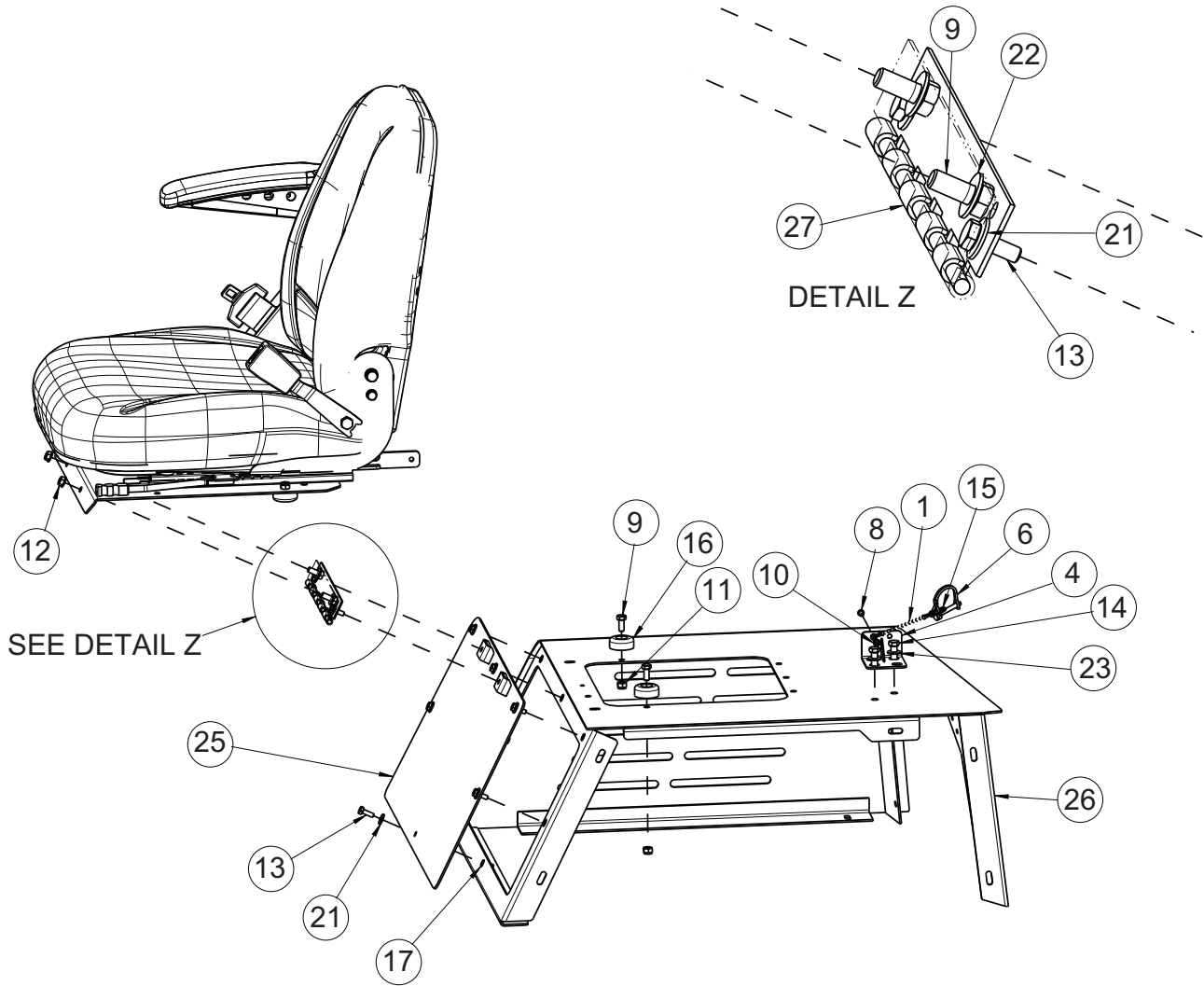
## CONSOLE ASSEMBLY

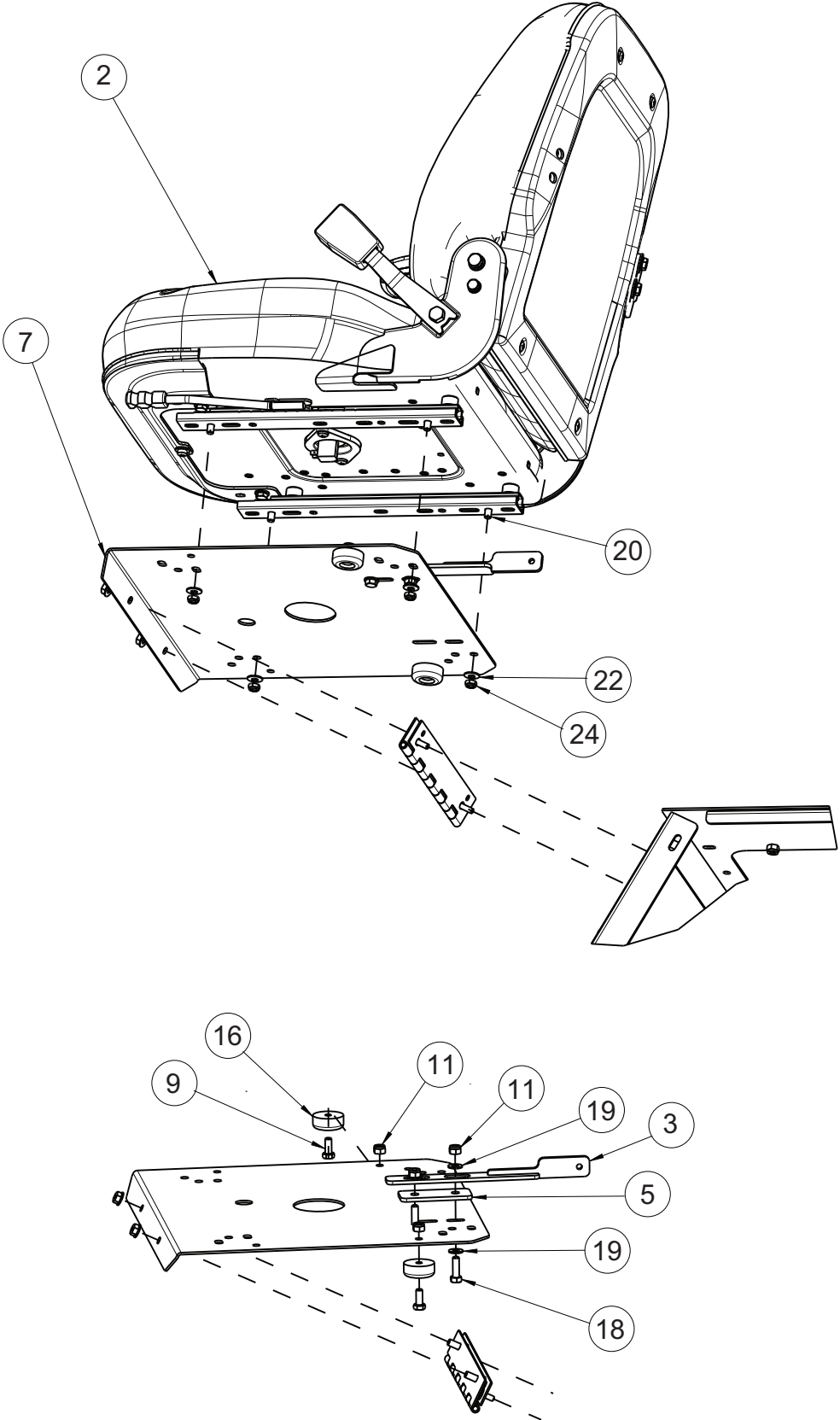




<b>CONSOLE ASSEMBLY</b>			
<b>ITEM</b>	<b>PART NO.</b>	<b>REQ'D</b>	<b>DESCRIPTION</b>
1	3300352	1	KNOB-MB LIFT ADJ
2	3300376	1	STUD-BALL, GAS SPRING, 5/16-18
3	3336094	1	GAUGE-HOURMETER, DIGITAL, SNAP (AFTER SN-18168059)
4	3300414	4	BUSHING-PLASTIC 3/8IDx1/2OD
5	600264	2	HANDLE CONTURED
6	3301147	2	SCR-5/16 ACME THD, WING HEAD,
7	3301155	2	CLIPNUT-5/16-18
8	711744	2	RETAINER 5/16 PUSH NUT BOLT
9	3301447	1	CLEVIS WITH PIN AND COTTER
10	3301669	1	PLUG-PLASTIC, 11/16 DIA
12	3307614	1	WELD-PIVOT SB LIFT
13	3307846	1	INSULATION-CONSOLE TOP
14	3307847	1	INSULATION-DRIVER COMP SIDE
15	3337966	1	CABLE- THROTTLE
16	3323529	1	PLUG-CARLING CONTURA SWITCH
17	3333672	1	SPACER-MB LIFT ROD
18	3334984	1	ROD-MAIN BROOM, LOWER
19	3338296	1	WELD-ROD,MAIN BROOM, UPPER, ZP
20	3338297	1	WELD-ROD,SIDE BROOM, UPPER, ZP
21	3335112P	1	WELD-LIFT ARM, MAIN BROOM,
22	3342905	1	ASSY- INDICATOR LIGHT RED W/PACKARDTERMS
23	3342905	1	ASSY- INDICATOR LIGHT RED W/PACKARDTERMS
24	715731	1	ID PLATE-SERIAL# INFO
25	3342705	1	SWITCH-BASE, DPST CONTURA ROCKER
26	3343912	1	SW-ROCKER CONTURA DPDT ON-OFF
28	711374	1	NUT-NYLOC 5/16-18
29	3400084	1	NUT-WING 1/2-13
30	3400087	4	WASHER-FLAT 3/8 STANDARD ZP
31	3400091	1	WASHER-FENDER 1/2 ZP
32	3400113	4	PIN-CLEVIS 3/8x5-1/2 ZP
33	3400125	4	PIN-COTTER 3/8 RUE-RING
34	3400185	2	PIN-CLEVIS 5/16x1-1/4
35	3500118		EDGING-VINYL TRIM 1/8" X 250' (Sold Per Foot)
36	650150BR	1	COVER BROOM ADJ, AM9D BURGUNDY
37	3335003BRM	1	CONSOLE, AM9D, BURGUNDY
38	3301854	1	DECAL-CAUTION, 5x4.50"

## SEAT, FLOOR PAN & TAIL LIGHT

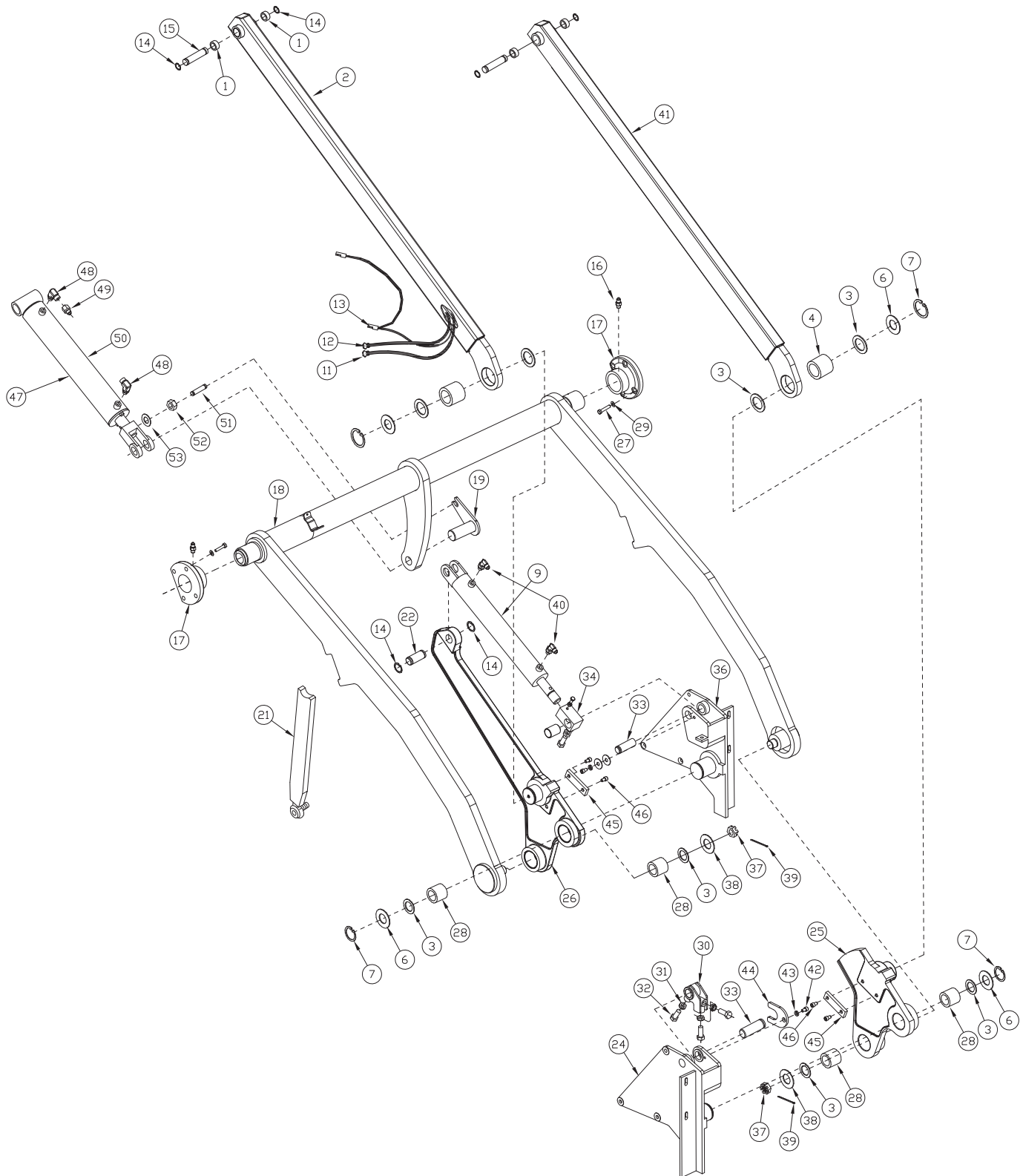




SEAT, FLOOR PAN & TAIL LIGHT			
ITEM	PART NO.	REQ'D	DESCRIPTION
1	283197	1	CHAIN, BEADED SS W/ EYELETS
2	623000	1	SEAT, STANDARD W/SEAT BELT, RH
3	690762	1	WELDMENT, SEAT LATCH ARM, 9X
4	690765	1	WELDMENT, SEAT LATCH, 9X
5	690767	1	BAR, SPACER, SEAT LATCH, 9X
6	690780	1	PIN, 1/4" DIA X 1-1/8", LOCK RETAINER
7	690830	1	MNT-SEAT AM9D/9X
8	710355	1	SCR-RHMS 10-32 X .50 ZP
9	711228	6	SCR-HH 5/16-18 X .75 ZP GR 5
10	711350	1	NUT-NYLOC 10-32 ZP
11	711374	6	NUT-NYLOC 5/16-18 ZP
12	711379	2	NUT-FLANGED WIZZ 5/16-18 ZP
13	713002	8	SCR-HH 1/4-20 X .75 ZP 5
14	713042	2	SCR-HH 3/8-16 X 1.00 ZP GR 5
15	760142	1	RING-SPLIT, 0.97 OD, 0.802 ID, 0.110 THK
16	3302482	4	BUMPER-RUBBER, 1.5" DIA, 5/8 THK
17	3322188	6	INSERT-1/4-20 UNC THRDED, GRIP .165-.260
18	3400035	2	SCR-HH 5/16-18 X 1.00 ZP GR 5
19	3400088	4	WASHER-FLAT 5/16 X.688 X .065 ZP
20	3400207	4	SCR-HH 5/16-18 X 0.50 ZP GR 5
21	3400383	8	WASHER-CONICAL SPRING 1/4
22	3400384	6	WASHER-CONICAL SPRING 5/16
23	3400385	2	WASHER-CONICAL SPRING 3/8
24	3401098	4	NUT-JAM 5/16-18 ZP NYLOC
25	3333733P	1	PLATE-ACCESS SEAT CLIP, 9X/10X
26	3335027M	1	CLIP, SEAT AM9D , DARK GRAY
27	3335033P	1	HINGE-UNIVERSAL SEAT MNT, AM9D
	3307587	1	FLOOR MAT-SMALL (NOT SHOWN)
	3307588	1	FLOOR MAT-LARGE (NOT SHOWN)
	3337387P	1	FLOOR BOARD - UPPER (NOT SHOWN)
	3337388P	1	FLOOR BOARD - LOWER (NOT SHOWN)



## LIFT & ROTATION CYLINDERS, HYDRAULIC HOSES



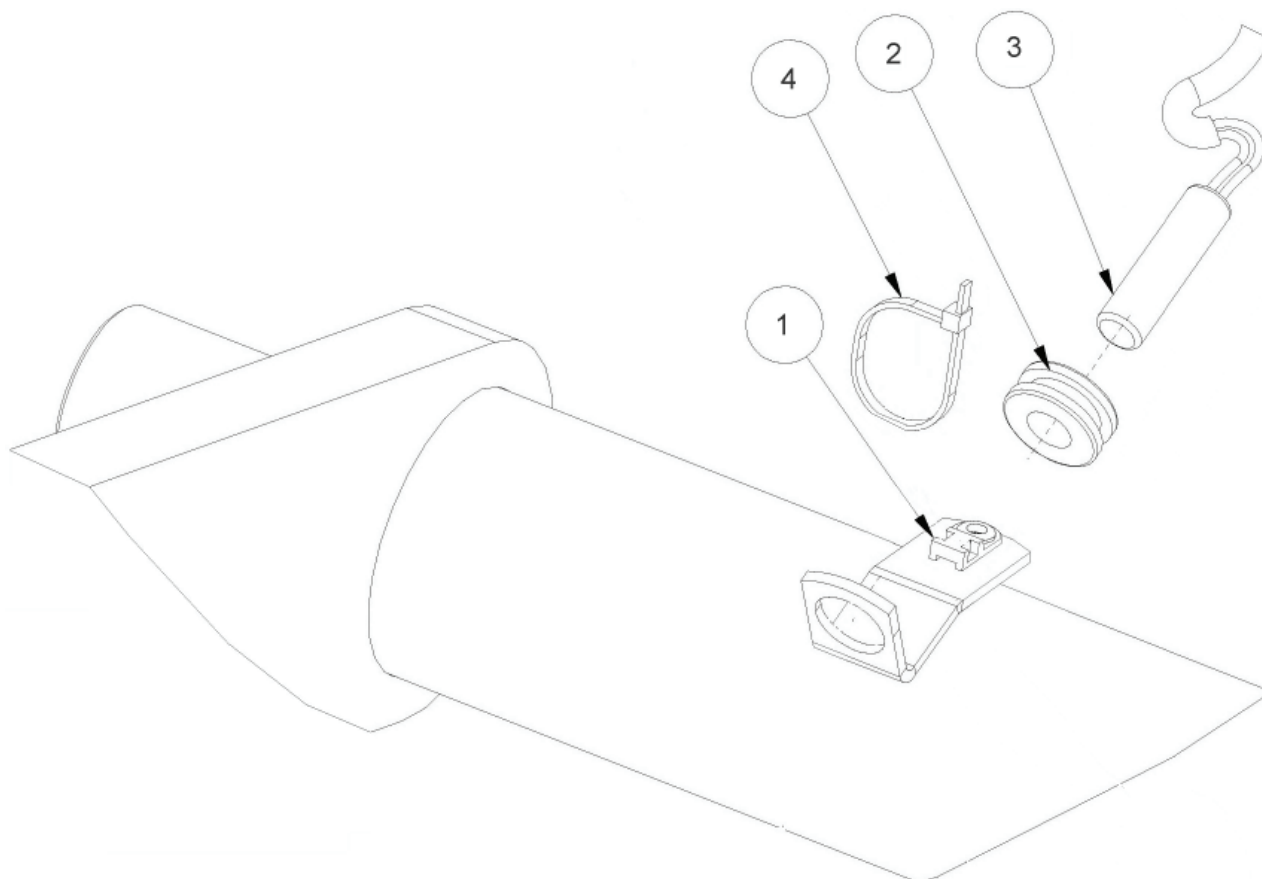
<b>LIFT &amp; ROTATION CYLINDERS, HYDRAULIC HOSES</b>			
<b>ITEM</b>	<b>PART NO.</b>	<b>REQ'D</b>	<b>DESCRIPTION</b>
1	3300837	4	BEARING-1.12 ODx1.00 IDx.75
2	3334551P	1	LIFT ARM-UPPER RH 9X
3	3400177	8	BEARING-THRUST 2.06 IDx3.25 OD
4	3300836	2	BEARING-2.18 ODx2.00 IDx.75
6	3300882	4	WASHER-HD 3.25 ODx2.00 ID
7	3301709	4	RING-RETAINING, EXT 2.00 DIA
9	3316890	1	CYLINDER-HYD, ROTATION HOPPER LIFT
11	675420	1	HYD HOSE - NEED VALVE TO ROT CYL
12	675421	1	HYD HOSE - ROT CYL TO CONT VALVE
13	3336963P	1	HARNESS - LIFT ARM
14	3301998	6	RING-RETAINING, EXT .940 DIA
15	3307430	2	PIN-UPPER LIFT ARM, .998 DIA,
16	3400012	2	FTG-GREASE 3/16
17	3307605P	2	ASSEMBLY-DUMP ARM MOUNT
18	3307305M	1	LIFT ARM-HOPPER 9X DARK GRAY
19	3335285	1	PIN, LIFT CYL, ROD END
21	3343821	1	ASSY- SAFETY ARM W/ BALL JOINT
22	3307607	1	PIN-ROTATION CYL, .998 DIA,
24	3335361P	1	PIVOT-HOPPER LH
25	3332416	1	ARM-ROTATION (W/PRESSED BEARINGS #28)
26	3307074	1	ARM-HOPPER ROTATION (W/PRESSED BEARINGS #28)
27	712162	8	SCREW, SHCS 7/16-14 X 1-1/2 STEEL ZINC
28	3300840	4	BEARING-2.18 ODx2.00 IDx1.50
29	3401570-11	8	WASHER-NORD-LOCK, 7/16, ZP
30	3336997	1	WELD - HOPPER ROTATE STOP

(CONTINUED ON NEXT PAGE)

LIFT & ROTATION CYLINDERS, HYDRAULIC HOSES			
ITEM	PART NO.	REQ'D	DESCRIPTION
31	3400449	3	NUT-HEX JAM 1/2-20 ES
32	3400326	3	SCR-HH 1/2-20X1.25 GR 5 ZP
33	3307606	1	PIN-FRONT ROTATION CYL, .998 DIA,
34	3317119	1	ASSY- BLOCK ROTATION RH
36	3317364P	1	PIVOT-HOPPER RH
37	3400076	2	NUT-HEX JAM SLOTTED, 1-14
38	3300879	2	WASHER-HD 3.25 ODx1.00 ID
39	3400122	2	PIN-COTTER 1/8 X 2.00 ZP
40	675507	2	FTG-STR THD ELBOW -4 ORFS TO -4 SAE
41	3334454P	1	LIFT ARM-UPPER LH 9X
42	3400219	2	SCR-SOC,5/16-18X0.50 ZP
43	3400102	2	WASHER-LOCK 5/16 SPLIT ZP
44	690935	1	PLATE, HOPPER PIVOT PIN RETENTION
45	3321377	2	TOP-ROTATION CYL MNT ARMA
46	711239	4	SCR-HEX 3/8-16 X 1.00 GR8 ZP
47	3307243	1	ASSY, CYLINDER-HYD HOPPER LIFT
48	675518	2	FTG-STR THD ELBOW -6 ORFS TO -5 SAE
49	675550	4	FITTING ORIFICE .047 #6
50	3339955	1	CLEVIS-LIFT ARM 1.0 DIA. PIN 1.00-14 TD
51	710981	1	SCR-SET 3/8-16 X 1.250 BLK OX CP W/NYLON
52	711391	1	NUT-JAM 3/8-16 ZP
53	3400087	1	WASHER-FLAT 3/8 ZP

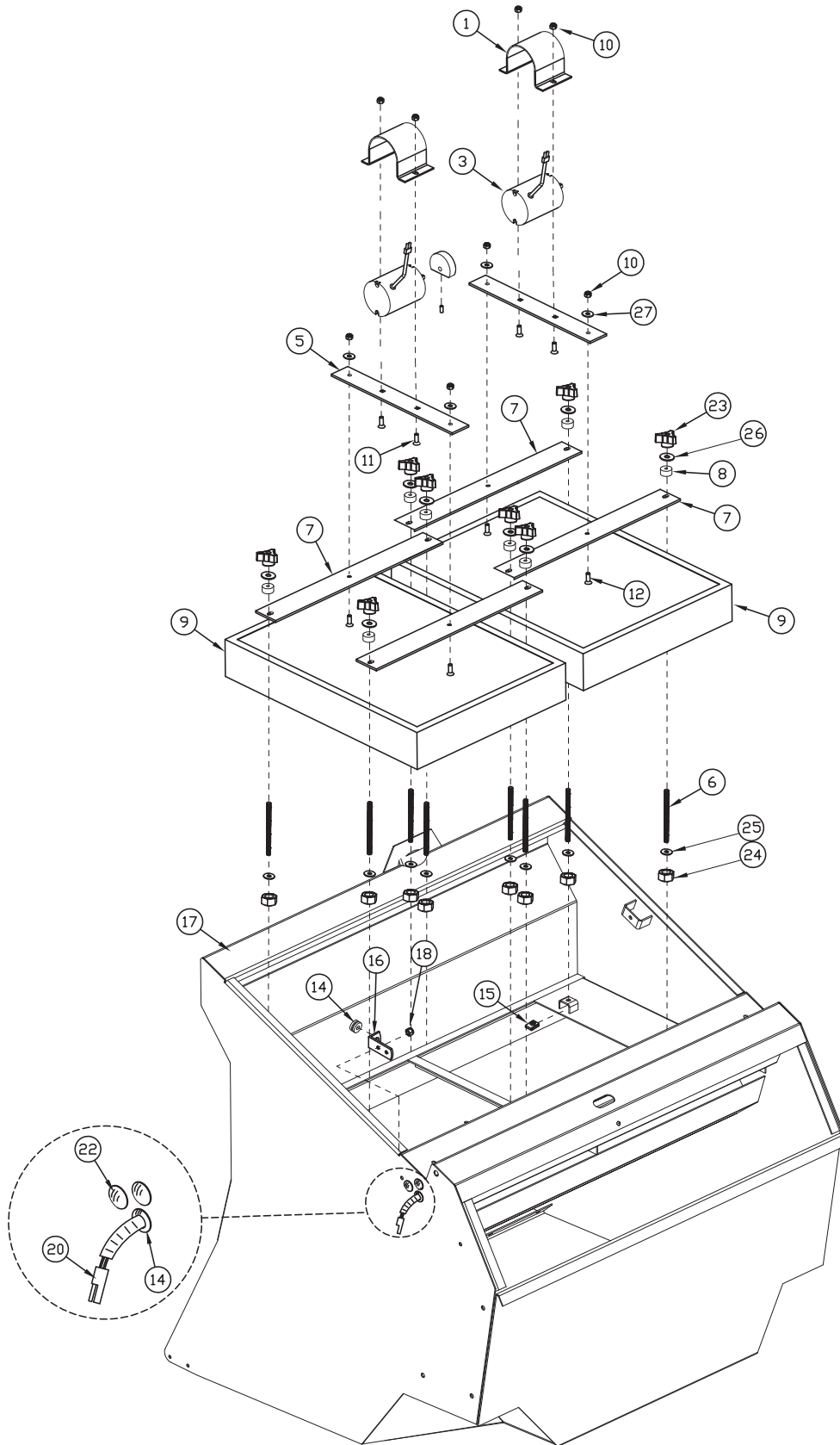


**RTR SWITCH DETAIL LIFT ARM**



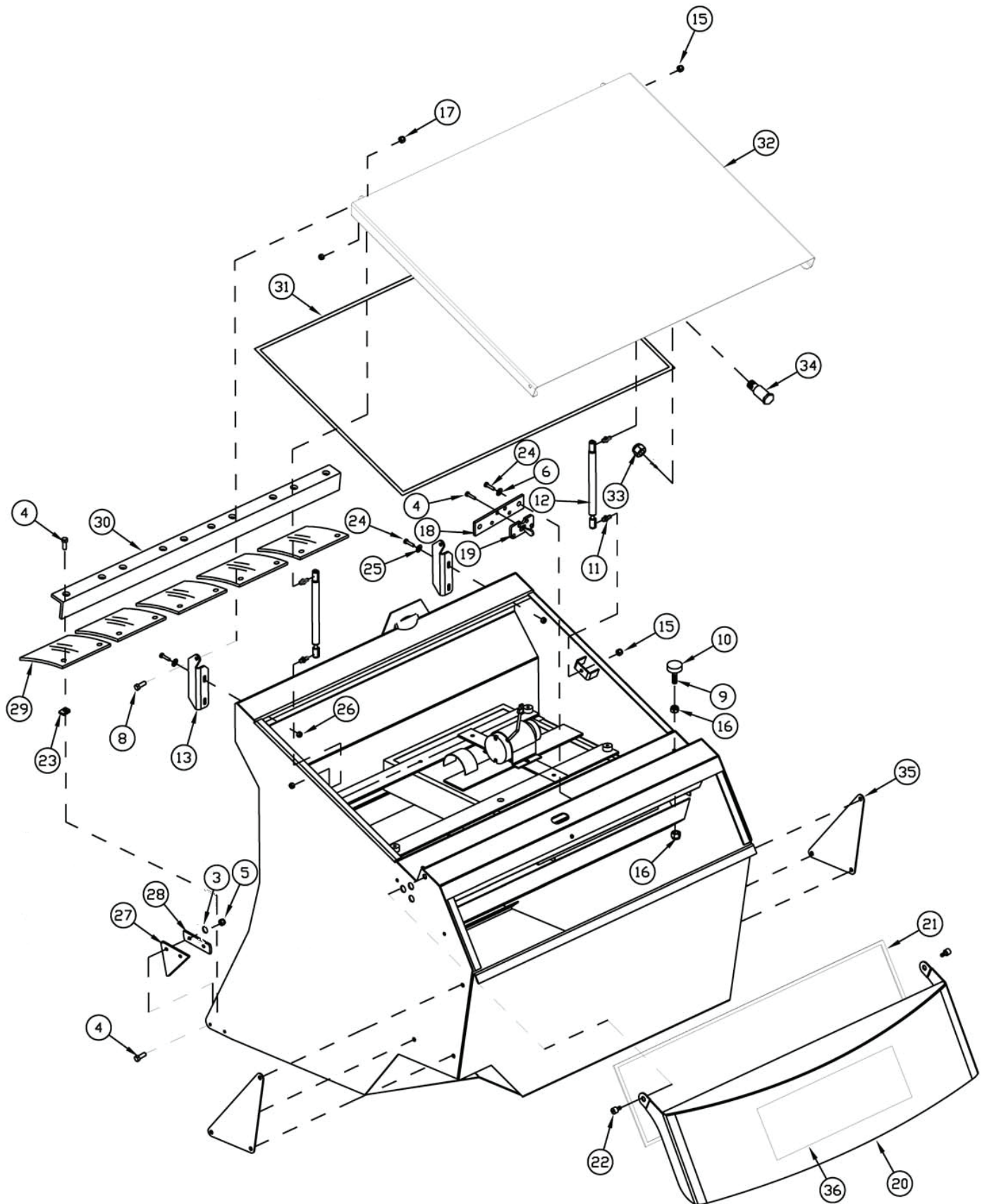
<b>RTR SWITCH DETAIL LIFT ARM</b>			
<b>ITEM</b>	<b>PART NO.</b>	<b>REQ'D</b>	<b>DESCRIPTION</b>
1	3302472	1	MOUNT-WIRE TIE LOW PROFILE
2	3311564	1	GROMMET-RUBBER, 1/2 ID
3	3336963P	1	HARNESS - LIFT ARM, ARMA TIER II
4	828062-B	1	TIE-WIRE BLACK

## HOPPER - FILTER AND SHAKER MOTOR COMPONENTS



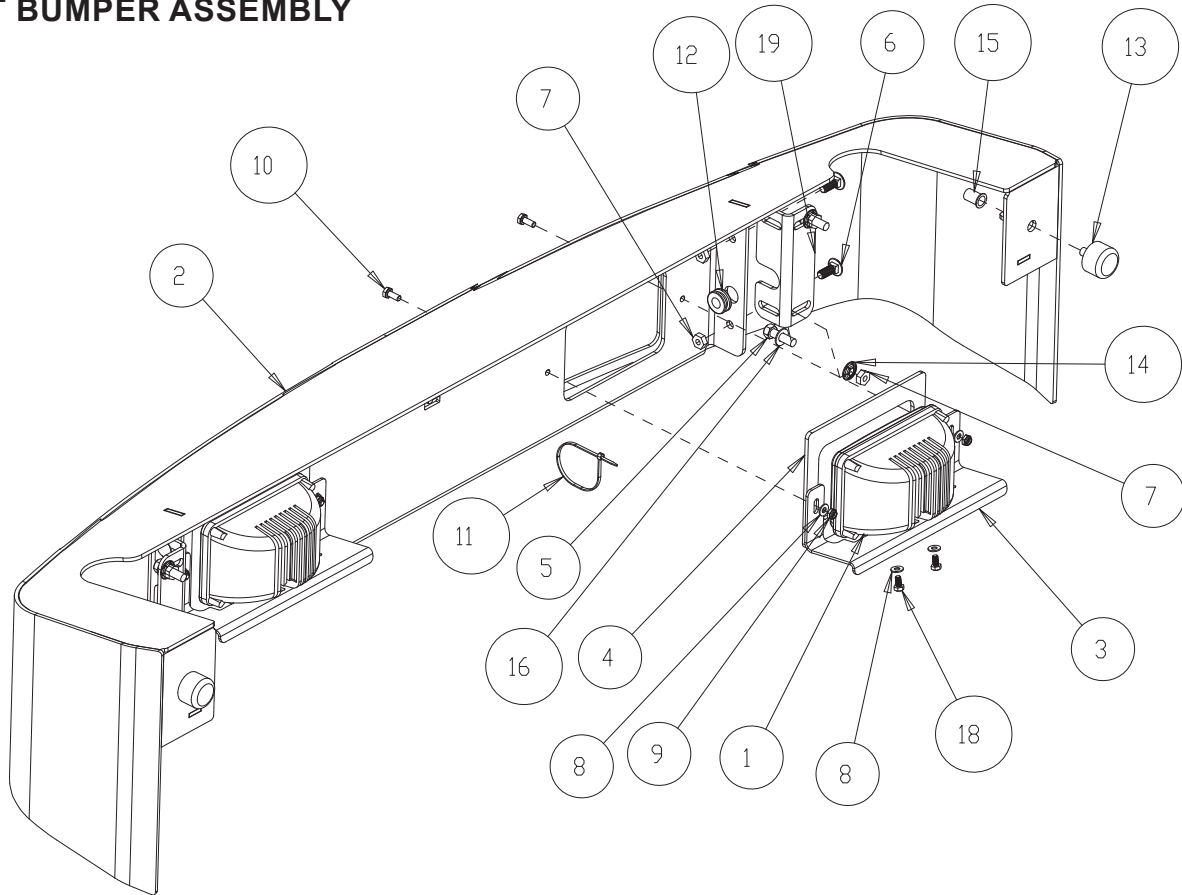
<b>HOPPER - FILTER AND SHAKER MOTOR COMPONENTS</b>			
<b>ITEM</b>	<b>PART NO.</b>	<b>REQ'D</b>	<b>DESCRIPTION</b>
1	750073	2	BRACKET SHAKER MOTOR
3	748149-1	2	ASSY, SHAKER MOTOR W/CONNECTOR
5	3300917	2	BAR-FILTER RETAINER
6	3334676	8	ROD-5/16-18x4.63, FILTER TIE DOWN
7	3300919	4	BAR-FILTER SHAKER
8	3307850	8	ISOLATOR-RUBBER, .25IDx1ODx.50THK, SW/A
9	690677	2	FILTER-9X (18 X 24 X 3.19 NOM) ALUM
10	711374	8	NUT-NYLOC 5/16-18
11	70-516-16	4	BLT-CARR 5/16-18 X 1 ZINC
12	3401070	4	SCR-FHSCS 5/16-18 X 1.0 ZP HEX DRIVE
14	3311564	3	GROMMET-RUBBER, 1/2 ID
15	832829	8	NUT-U TYPE 5/16-18
16	3336778	1	BRACKET- FOR SWITCH BALL (# 2 RTR LIGHT )
17	690483-SBR		HOPPER, AM9D, DUAL FILTER, BURGUNDY
18	3400484	1	RIVET-AVDEL 3/16 X .602
20	3336964P	1	HARNESS - HOPPER, ARMA
22	3330356	2	PLUG-PLASTIC HOLE, 3/4, 7 GA
23	210118	8	KNOB-3 SIDED 5/16 NYLOC
24	3400070	8	NUT-HEX 5/16-18 ZP GR 5
25	3400102	8	WASHER-LOCK 5/16 SPLIT ZP
26	3400233	8	WASHER-FENDER 5/16 X 1.00 ZP
27	3400384	4	WASHER-CONICAL SPRING 5/16

## HOPPER - COVER AND LATCH COMPONENTS



<b>HOPPER - COVER AND LATCH COMPONENTS</b>			
<b>ITEM</b>	<b>PART NO.</b>	<b>REQ'D</b>	<b>DESCRIPTION</b>
3	712758	8	WASHER-LOCK 1/4 SPLIT SS
4	3401460	20	SCR-THMS 1/4-20 X .75 PHIL 18-8 SS
5	712665	4	NUT-HEX 1/4-20 SS
6	3400384	4	WASHER-CONICAL SPRING 5/16
8	3400052	2	SCR-SHOULDER 5/16 DIA X 1/4 ZP
9	3400355	2	SCR-LEVEL BOLT, 3/8-16x2.50
10	3304624	2	CAP-RUBBER BUMPER, (USED WITH #10 ABOVE)
11	3300376	4	STUD-BALL, GAS SPRING, 5/16-18 THRD, .391 DIA.
12	3305006	2	SPRING-GAS 5" STROKE, 14.5" EXTENDED (100 LBF)
13	3307469	2	HINGE-FILTER COVER, ,
15	3400070	4	NUT-HEX 5/16-18 ZP
16	711439	2	NUT-FLANGED WIZZ 3/8-16
17	3401021	2	NUT-HEX ELASTIC JAM 1/4-20 #8 ZP
18	3307468	1	BAR-FILTER LATCH, ,
19	3307247	1	LATCH-RH BROOM DOOR
20	3316862BRM	1	LID-HOPPER AM9D BURGUNDY
21	3318739	120"	WEATHERSTRIPPING-RUBBER SPONGE
22	3400170	2	SCR-HSS 1/2x.31,
23	3301146	10	CLIPNUT-1/4-20 ZP
24	3401460	4	SCR-THMS 1/4-20 X .75 PHIL 18-8 SS
25	3400384	4	WASHER-CONICAL SPRING 5/16
26	711379	4	NUT-FLANGED WIZZ 5/16-18
27	3307842	2	FLAP-HOPPER SIDE
28	3307843	2	RETAINER-FLAP HOPPER SIDE
29	3307720	5	FLAP-HOPPER FRONT
30	3307721	1	RETAINER-HOPPER FLAP
31	3500198	134"	SEAL-TRIM 90 DEG. MOUNT
32	3307460BRM	1	HOOD-HOPPER AM9D , BURGUNDY
33	3400394	1	NUT-FLANGE LOCK 7/16-14
34	3338592	1	BOLT-STRIKER .675 (17.1mm) DIA.
35	3307743	4	PLATE HOPPER BACKING
36	651001	1	DECAL-"POWERBOSS" LOGO

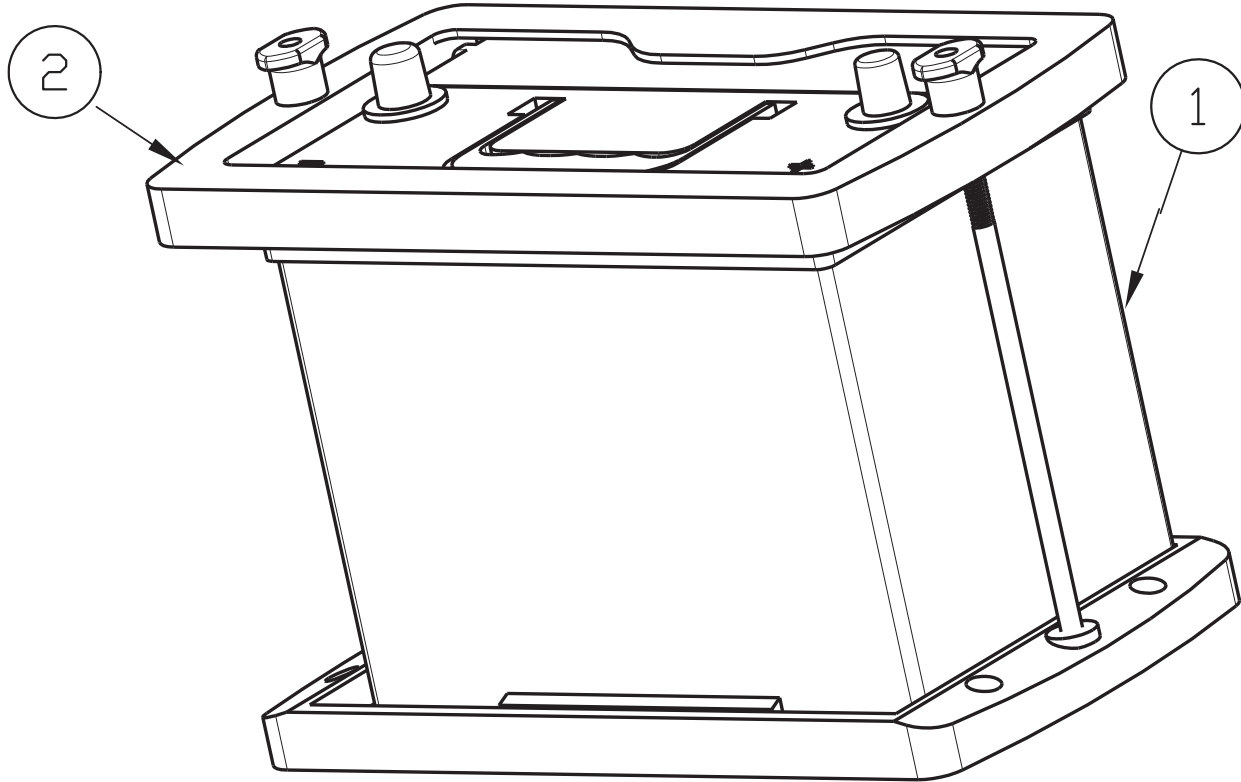
## FRONT BUMPER ASSEMBLY



**FRONT BUMPER ASSEMBLY - 690527**

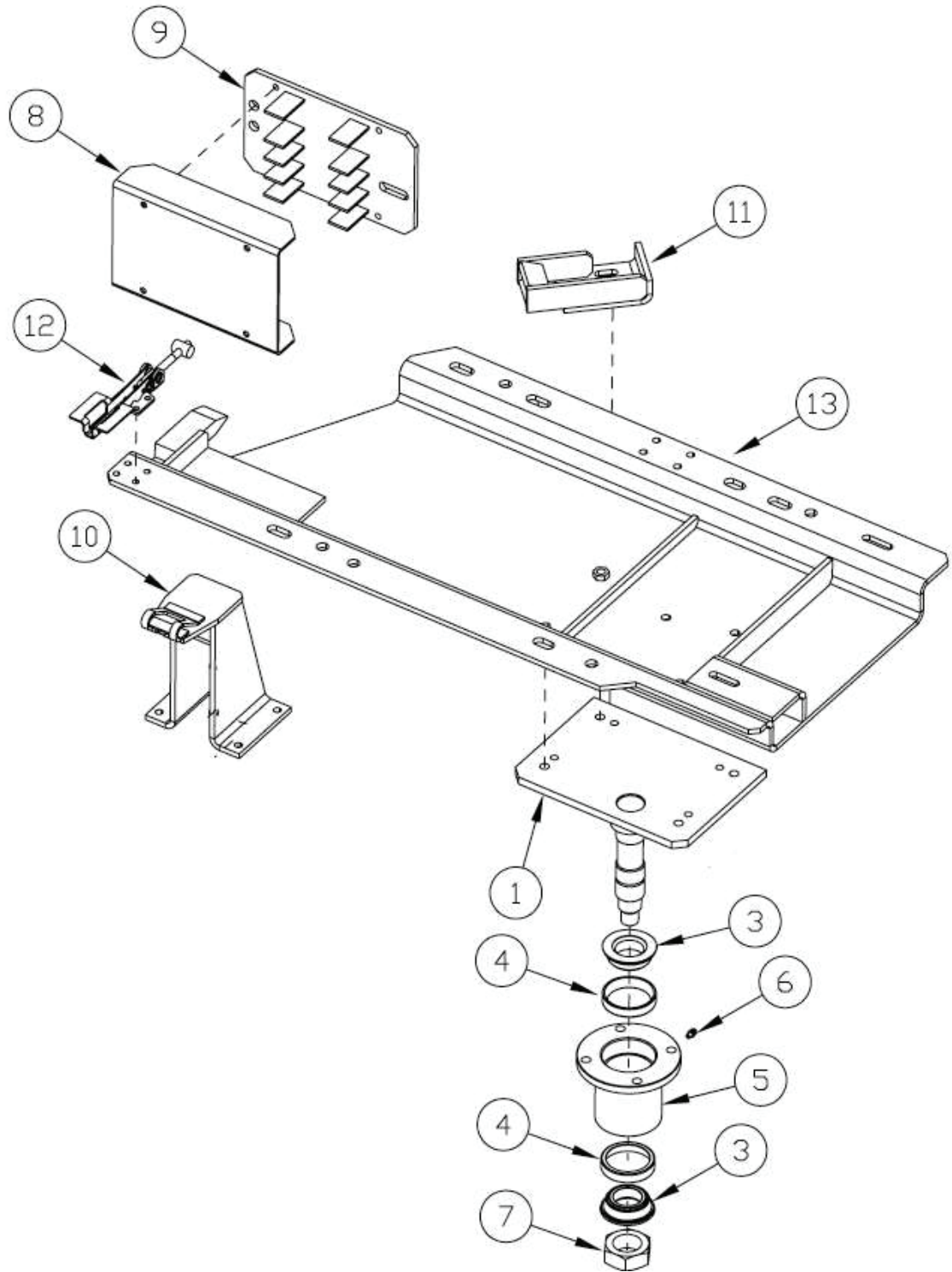
ITEM	PART NO.	REQ'D	DESCRIPTION
1	690082-1	2	HEADLIGHT ASSY, OLS 6X4 LED
2	690493	1	BUMPER, FRONT - 9X (CURVED VERSION)
3	690525	2	BRKT, HEADLIGHT MOUNT - 9X, 6X
4	690526	2	GASKET, HEADLIGHT MOUNT - 9X, 6X
5	711250	4	SCR-HH 3/8-16 X 1.25 ZP GR 5
6	711253	4	BLT-CARR 3/8-16 X 1.00 ZP GR 5
7	711439	8	NUT-FLANGED WIZZ 3/8-16 ZP
8	711504	8	WASHER-FLAT 1/4 SS
9	711688	4	NUT-JAM 1/4-20 NYLOC SS
10	713001	4	SCR-HH 1/4-20 X .62 PLAIN GR 5
11	828062-B	1	CABLE TIE-LARGE (BLACK)
12	3311564	1	GROMMET-RUBBER, 1/2 ID
13	3316871	2	BUMPER-RUBR 1.50" DIAx1" THK 3/8-16 STUD
14	3316981	4	NUT-PUSH RETAINER 3/8 BOLT, 25/32 OD ZP
15	3322186	2	INSERT-3/8-16 UNC
16	3400385	4	WASHER-CONICAL SPRING 3/8
17	3401390	0.003	LOCTITE 242 (50 ML)
18	11038064	4	BLT-HH M6 X 1.0 X 12 STL ZD 8.8 DIN 933
19	3337303P	2	PLT-MOUNT, BUMPER, AM9D

**BATTERY COMPONENTS**



<b>BATTERY COMPONENTS</b>			
<b>ITEM</b>	<b>PART NO.</b>	<b>REQ'D</b>	<b>DESCRIPTION</b>
1	3300440	1	BATTERY GAS/DIESEL 12V 650 CCA 125 MIN RESER
2	690250	1	TRAY- BATTERY, 24 SERIES
**	3307634	1	ASSY-BATTERY CABLE NEGATIVE (NOT SHOWN)
**	3307939	1	ASSY-BATTERY CABLE POSITIVE (NOT SHOWN)

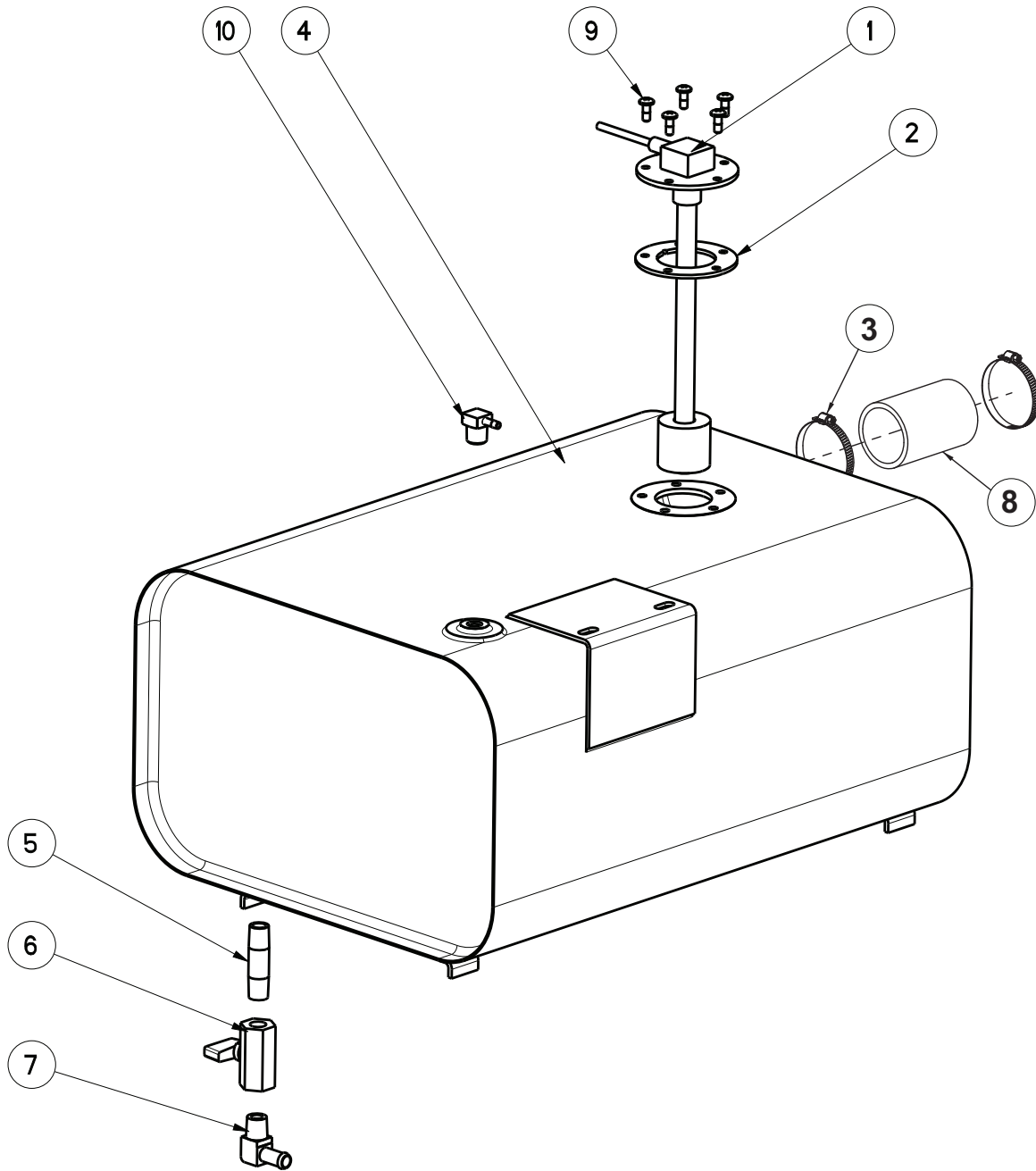
## ENGINE PAN, HYDRAULIC HOSE RETAINER & LATCH





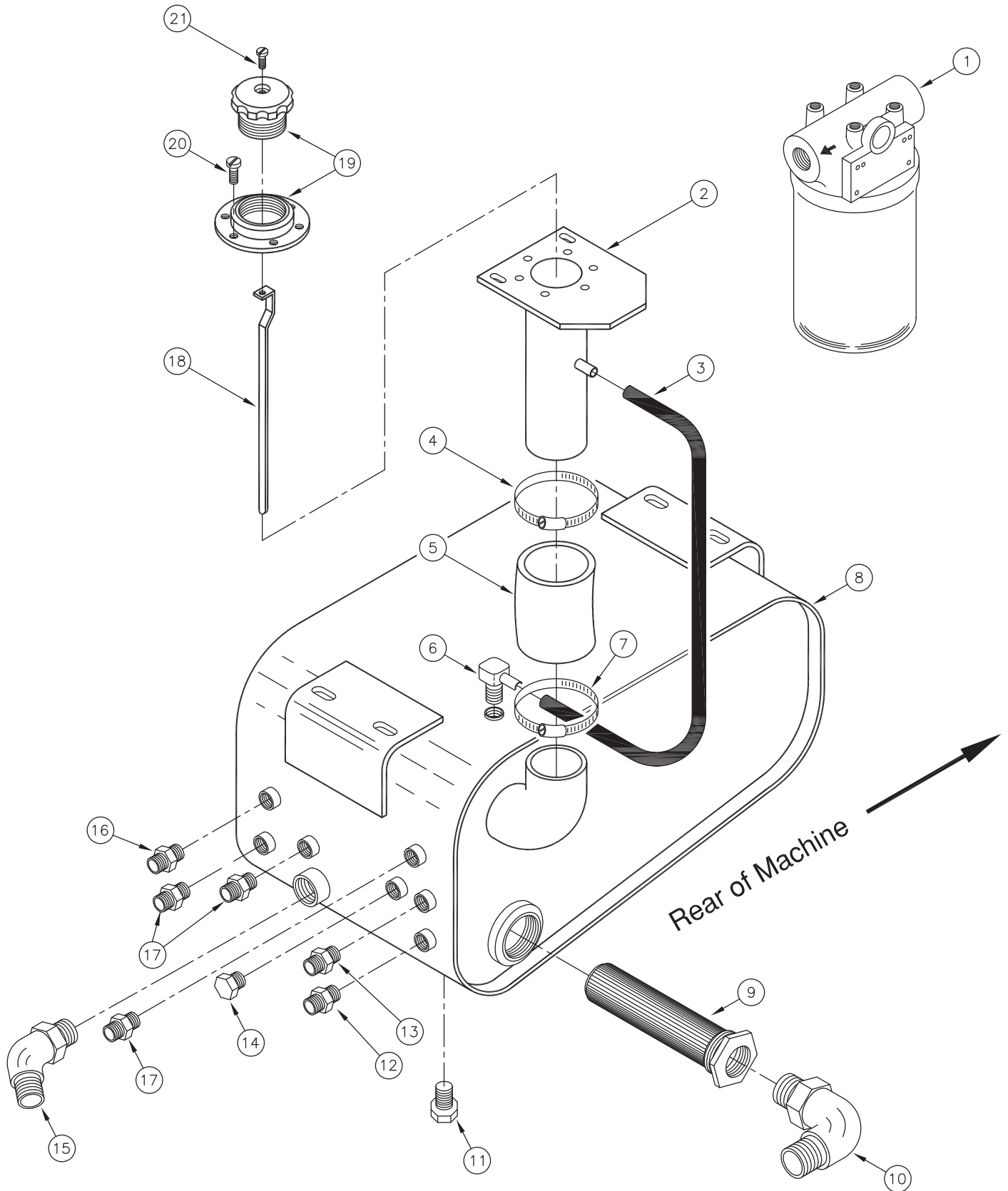
ENGINE PAN, HYDRAULIC HOSE RETAINER & LATCH			
ITEM	PART NO.	REQ'D	DESCRIPTION
1	3334951	1	WELDMENT-ENGINE PIVOT
3	3300471	1	BEARING-TAPERED ROLCONE W/SEAL
4	3300470	1	BEARING-TAPERED ROL CUP
5	3307326	1	BEARING MOUNT-ENGINE PIVOT
6	3400012	1	FTG-GREASE, φ3/16
7	3400083	1	NUT-HEX JAM, 1 1/4-12 ES
8	690503	1	COVER-HOSE RETAINER
9	690500	1	HOSE RETAINER SW/A
10	3335208	1	WELDMENT-ENGINE CATCH OUTER
11	3335183	1	WELDMENT-ENGINE CATCH INNER
12	3337544	1	LATCH - ENGINE SWING
13	3334994M	1	WELD-ENGINE PAN,

## FUEL TANK GASOLINE AND DIESEL



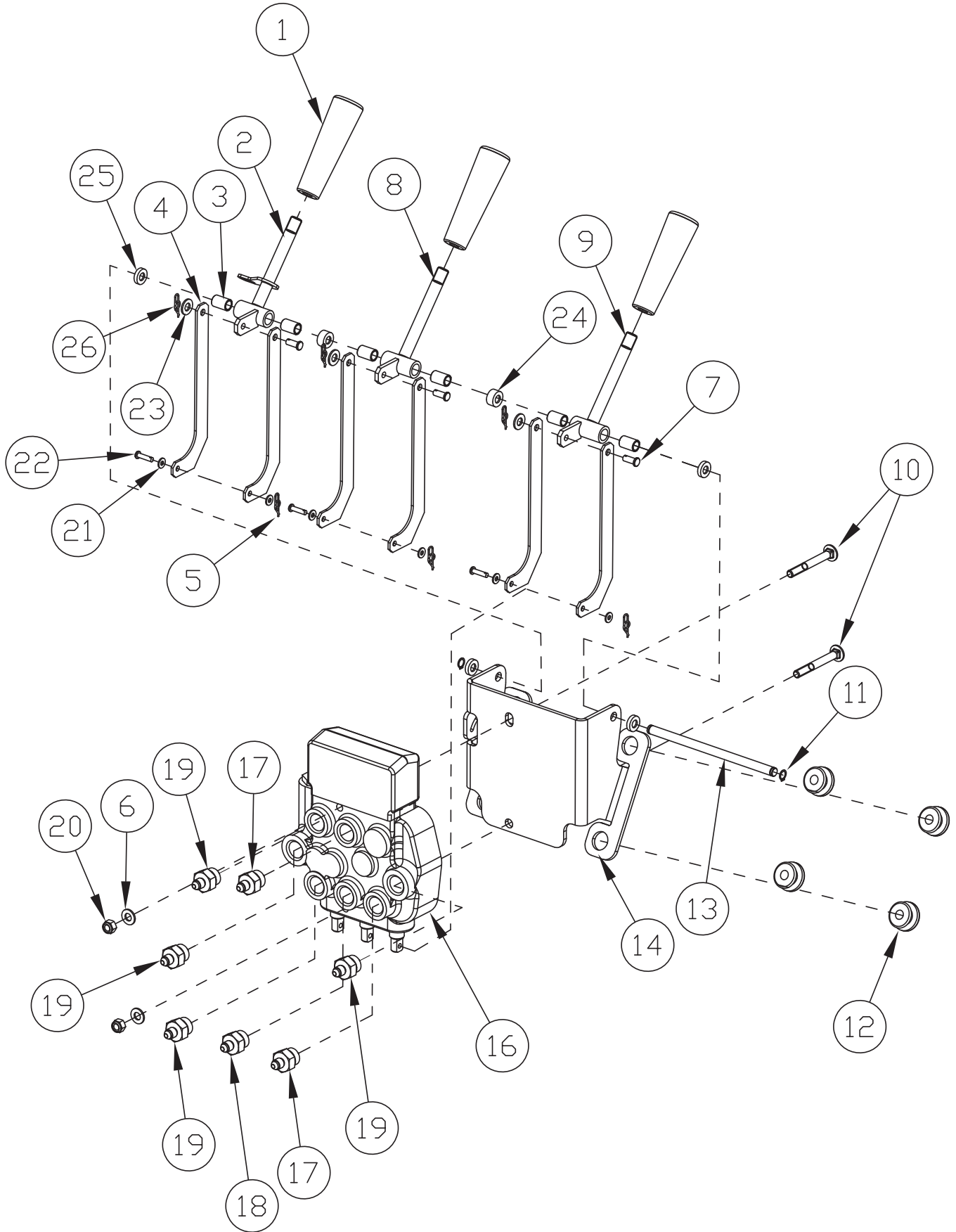
<b>FUEL TANK GASOLINE AND DIESEL</b>			
<b>ITEM</b>	<b>PART NO.</b>	<b>REQ'D</b>	<b>DESCRIPTION</b>
1	690897-1	1	SENDING UNIT, FUEL LEVEL
2	811023	1	GASKET, SENDER
3	3044112	2	CLAMP - SCREW 1.5" to 2.5" DIA 201SS
4	3307575	1	TANK-FUEL, 7.64 US GAL, SW/A
5	3400498	1	FTG-NIPPLE 1/4 NPT X 2.00 LG BRASS
6	3400499	1	VALVE-MINATURE 1/4 FPT BALL
7	3400793	1	FTG-90 3/8 BARBx1/4 NPT
8	3500221	1	HOSE-2" ID STRAIGHT RAD.
9	3401636	4	SCR-PHMS 10-32 X .50 SS W/O-RING
10	3402022	1	FTG-ELBOW 90 1/4 MPT X 1/8 HB BRASS

## HYDRAULIC RESERVOIR ASSEMBLY



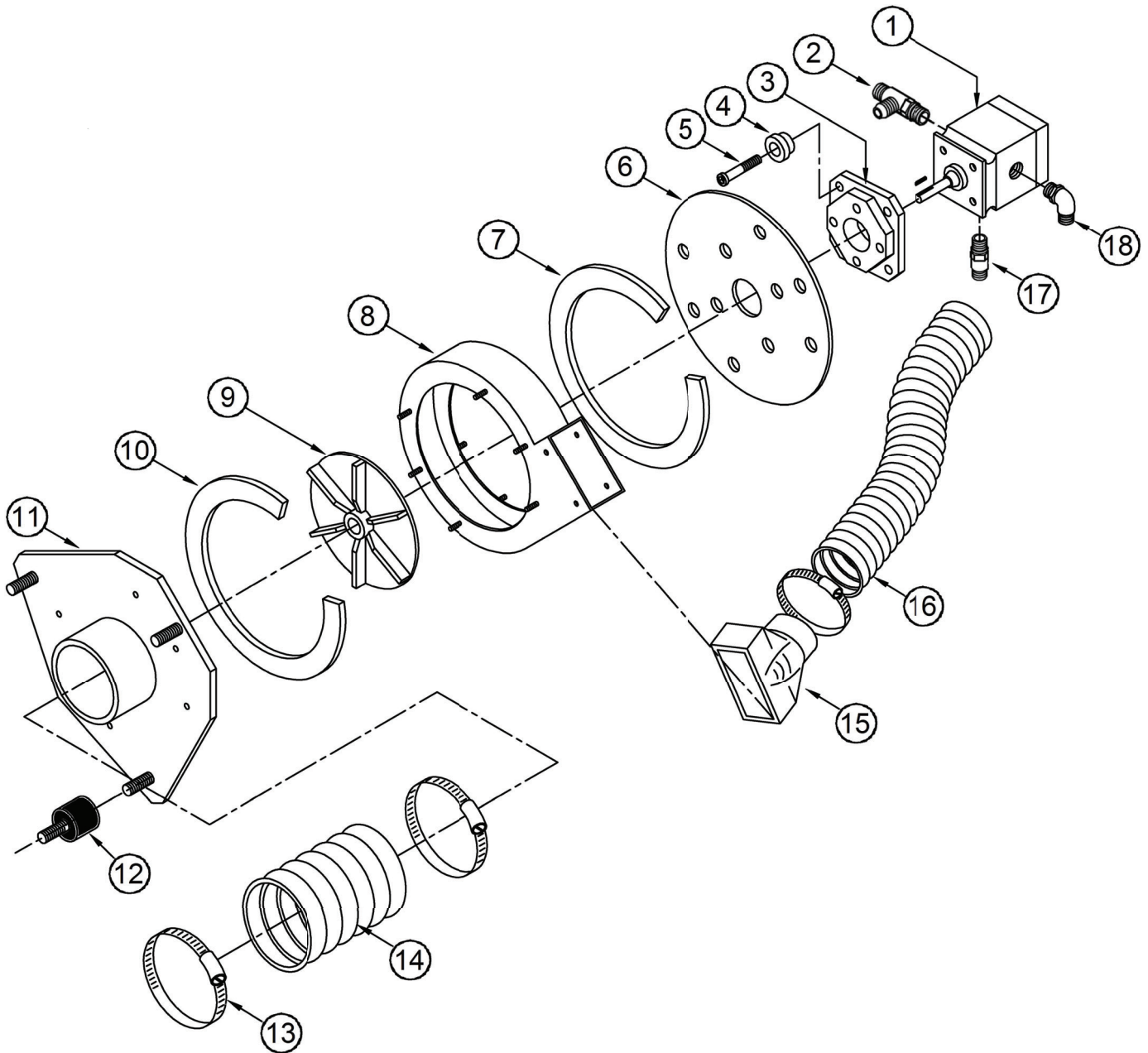
HYDRAULIC RESERVOIR ASSEMBLY			
ITEM	PART NO.	REQ'D	DESCRIPTION
1	3300358	1	SUB-HYD FILTER SW/9X (FILTER, MOUNT & FITTINGS)
-	3300359	1	FILTER-HYDRUALIC OIL (FILTER ONLY)
-	3304899	1	FTG-ADAPTER, 3/4-16 TO 1/2 OD TUBE (NOT SHOWN)
-	3400167	1	FTG-ADAPTER, 1 1/6-12 EXT TO (NOT SHOWN)
-	3400632	1	FTG-ADAPTER, RUN TEE 1-1/16-12 (NOT SHOWN)
-	3400636	1	FTG-ADAPTER, SWIVEL NUT 90° ELBOW (NOT SHOWN)
2	3310072	1	WELDMENT-HYD FILL TUBE
3	3500137	1	HOSE-1/8 ID EEC-PCV
4	3044112	1	CLAMP-HOSE, SS, 2.50 MAX WORM
5	3303577	1	HOSE-RUBBER, 2.00IDx3.50 LG
6	3307778	1	FTG-90° 1/8MPTx1/4 BARB
7	3044112	1	CLAMP-HOSE, SS, 2.50 MAX WORM
8	3335527	1	RESERVOIR-HYDRAULIC, 7.5 US GA
9	3343836	1	STRAINER-HYDRAULIC TM-14
10	675506	1	FTG-STR THD ELBOW -16 ORFS TO -20 SAE
11	3400164	1	FTG-PLUG 3/4-16 O RING
12	675521	1	FTG-ORFS STR THD -6 -8 SAE
13	675524	1	FTG-STR THD CONNECTOR -8 ORFS TO -8 SA
13	3400453	1	FTG-PLUG 9/16-18 O-RING STEEL
15	675504	1	FTG-45 DEG STR ELBOW -12 ORFS TO -16 SA
16	675519	1	FTG-STR THD CONNECTOR -6 ORFS TO -5 SA
17	675510	3	FTG-STR THD CONNECTOR -5 ORFS TO -4 SA
18	3307580	1	DIPSTICK-HYD RESEVOIR
19	3305576	1	ASSEMBLY-HYD OIL FILTER BREATHER
20	3400044	6	SCR-HEX,#10-32X0.75
21	3400045	1	SCR-PAN,#8-32X0.62,SLT

## HYDRAULIC CONTROL VALVE DETAIL



HYDRAULIC CONTROL VALVE DETAIL			
ITEM	PART NO.	REQ'D	DESCRIPTION
1	600263	3	HANDLE GRIP
2	3338603	1	WELD - HANDLE CONT VLV 3
3	3303996	6	BEARING-PLASTIC 1/2X3/8X.75 LG
4	3338456P	6	LINK - HYD VALVE - P
5	3400125	3	RING-RUE 3/8
6	3400088	2	WASHER-FLAT 5/16 X.688 X .065 ZP
7	3400425	3	PIN-CLEVIS 1/4 X 5/8 ZP
8	3338458	1	WELD - HANDLE CONT VLV 2
9	3338459	1	WELD - HANDLE CONT VLV 1
10	3400466	1	SCR-HH 5/16-18 X 2.50 ZP GR 5
11	711724	2	RET RING-EXT 3/8
12	3300465	4	ISOLATOR-RUBBER (.375ID X .81OD)
13	3300884	1	ROD-PIVOT CONTROL VALVE PLTD
14	3338455	1	MNT - HYD. SPOOL VALVE
16	3338213	1	VALVE-3 SPOOL SWEEPER(SEE NOTE)
17	675513	2	FTG-ORFS STR THD -4 -8 SAE
18	690006	1	FTG-ORFS STR THD -4 -8 SAE /.043 ORIFICE
19	675524	4	FTG-ORFS STR THD -8 -8 SAE
20	711374	2	NUT-NYLOC 5/16-18 ZP
21	3400088	3	WASHER-FLAT 5/16 X.688 X .065 ZP
22	450034	3	PIN-CLEVIS 5/16 X .75 ZP
23	3400089	3	WASHER-FLAT 1/4 ZP
24	690015	2	BUSHING, VALVE BODY, 3/8IDX5/8ODX1/4L
25	711569	4	WASHER-FLAT .390 X .880 X .062 NYL
26	3400742	3	RING-RUE 1/4 ZP

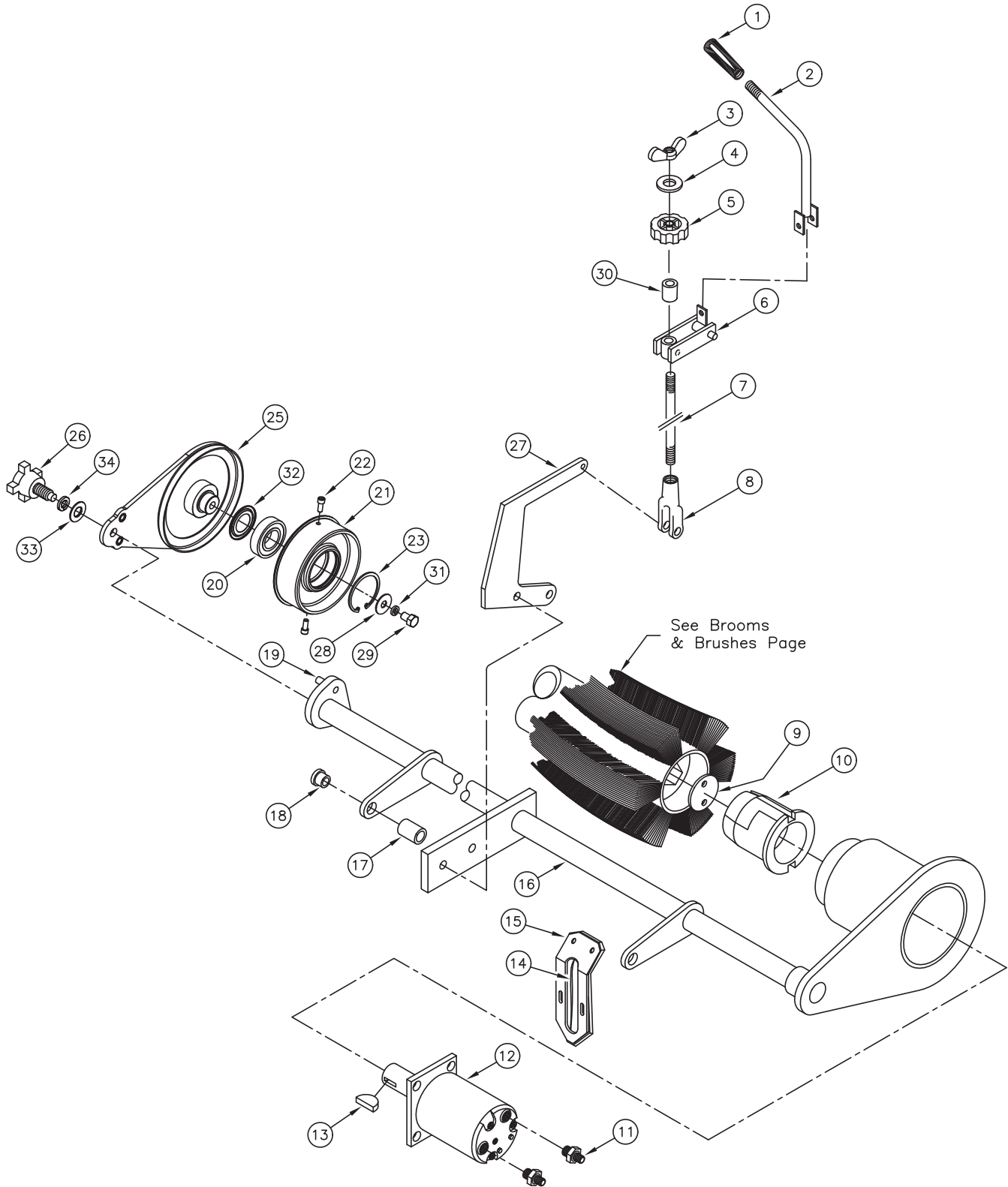
## IMPELLER ASSEMBLY





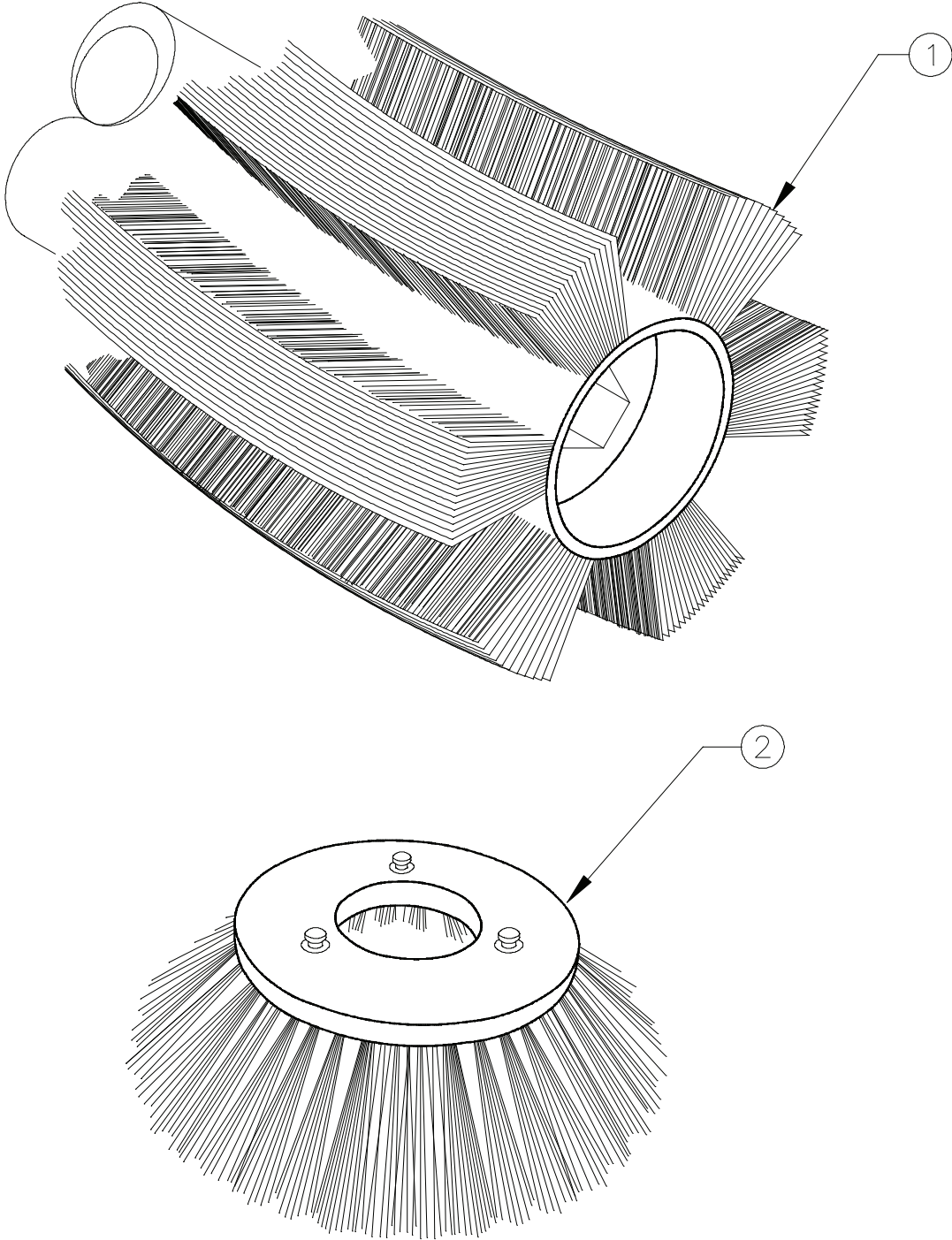
<b>IMPELLER ASSEMBLY</b>			
<b>ITEM</b>	<b>PART NO.</b>	<b>REQ'D</b>	<b>DESCRIPTION</b>
1	3316832MZ	1	MOTOR-HYDRAULIC, .323CI, CCW ROTATION, IMPELLER
	3337905	1	SEAL KIT IMPELLER MOTOR
2	675525	2	FTG-STR THD RUN TEE -8 ORFS TO -8 SAE
3	3307152	1	MOUNT-IMPELLER MOTOR
4	3300465	4	ISOLATOR-RUBBER, .375 IDx.81 OD
5	3400028	4	SCR-HEX 3/8-16x1.50"
6	3322121	1	MOUNT-IMPELLER MOTOR, CIRCULAR
7	3335458	2.5'	GASKET-TOP IMPELLAR, ARMA
8	3307004	1	SHROUD-IMPELLER,
9	3307003	1	IMPELLER-8.88" DIA, ARMA BALANCED
10	3335459	2.5'	GASKET-BOTT IMPELLAR, ARMA
11	3335192	1	IMPELLER MOUNT, ARMA
12	3333915	3	ISOLATOR-RUBBER, φ1.5x1" LG, 3/8-16 THREAD
13	3300351	3	CLAMP-HOSE, 4.5" DIA, SS
14	3307767	1	HOSE-IMPELLER, φ4"x7.5" LONG
15	3315347	1	TRANSITION-PLASTIC IMPELLER EXHAUST
16	3318203	1	HOSE-IMPELLER EXHAUST, 3.5"IDx62" LONG
17	675508	1	FTG-STR THD CONNECTOR -4 ORFS TO -4 SA
18	675523	1	FTG-STR THD ELBOW -8 ORFS TO -8 SAE

## MAIN BROOM ASSEMBLY



MAIN BROOM ASSEMBLY			
ITEM	PART NO.	REQ'D	DESCRIPTION
1	600263	1	HANDLE GRIP
2	3338296	1	WELD-ROD,MAIN BROOM, UPPER, 9X,ZP
3	3400084	1	NUT-WING 1/2-13
4	3400091	1	WASHER-FENDER 1/2
5	3300352	1	KNOB-MAIN BROOOM LIFT ADJUST
6	3335112P	1	WELDMENT-MAIN BROOM PIVOT LIFT
7	3334984	1	ROD-LIFT MAIN BROOM
8	3301447	1	CLEVIS-CABLECRAFT AC-218
9	3301285	1	RETAINER-MAIN BROOM DRIVER HUB
10	3301050P	1	HUB-MAIN BROOM DRIVE
11	675523	1	FTG-STR THD ELBOW -8 ORFS TO -8 SAE
12	3338661	1	MOTOR-HYD MAIN BROOM
13	3330338	1	KEY-SHAFT D-FOSS CB/MB/SC MOTORS
14	3307337	3'	GASKET-MAIN BROOM ARM
15	3307338	3'	RETAINER-GASKET MAIN BROOM ARM
16	3307207M	1	MAIN BROOM MNT AM9D-M
17	3307181	1	SPACER-MAIN BROOM
18	3300432	2	BUSHING-FL-52-4
19	690111	2	PIN-DOWEL, .375x1.25, SS
20	3305667	1	BEARING-MAIN BROOM
21	3305642P	1	HUB-BROOM IDLER
22	3400047	2	SCR-SOCKET, 5/16-18x0.75
23	3305666	1	RING-RETAINING MAIN BROOM
25	3335220	1	MAIN BROOM PLT
26	3400748	1	KNOB-HAND 1/2-13x1-1/2 DOG POINT
27	3335196	1	PLATE-LIFT ARM, MAIN BROOM, ARMA
28	712305	1	WASHER, FENDER 5/8 X 2 X .125 ZINC
29	712029	1	SCR-HH 5/8-11 X 1.00 ZP GR 5
30	3333672	1	SPACER-MB LIFT ROD
31	712315	1	WASHER SR-HELICAL .64 X 1.26 X .06 ZINC
32	3335908	1	RING-NILOS, 2.55"OD
33	3400086	1	WASHER-FLAT 1/2 STANDARD ZP
34	3400098	1	WASHER-LOCK 1/2 SPLIT ZP

**SIDE BROOM & MAIN BROOM**



<b>SIDE BROOM &amp; MAIN BROOM</b>			
<b>ITEM</b>	<b>PART NO.</b>	<b>REQ'D</b>	<b>DESCRIPTION</b>
	<b>MAIN BROOM</b>		
1	3305818	1	BROOM-48"HIGH DEN FIBER & WIRE
	3305812	1	BROOM-48" NYLON
	3305665	1	BROOM-48" HIGH DENSITY NYLON
	3305814	1	BROOM-48" NYLON CHEVRON (PATROL)
	3315315	1	BROOM-48"STIFF NYLON
	3305663	1	BROOM-48" PROEX & WIRE
	3333483 *	1	BROOM-48" TRIPLE ROW POLY (CHEVRON PATTERN)
	<b>SIDE BROOM</b>		
2	3300308 *	1	BROOM-SIDE 24" WHITE NYLON
	3300306	1	BROOM-SIDE 24" DIA. BLACK POLY

\* - Standard Broom used on the AM9D-III machine.

#### **Main Broom User's Guide**

Proex & Wire - Slightly encrusted soilage & dusty conditions. High heat.

Nylon - General purpose broom with long life bristles.

Poly Proex - All purpose broom that stands up well on rough surfaces.

High Density Nylon - Highly effective for small particle soilage. Severe dust environments.

Crinkle Wire - Stiff bristles for compacted grime, oil, grease or mud. Fair to good broom life.

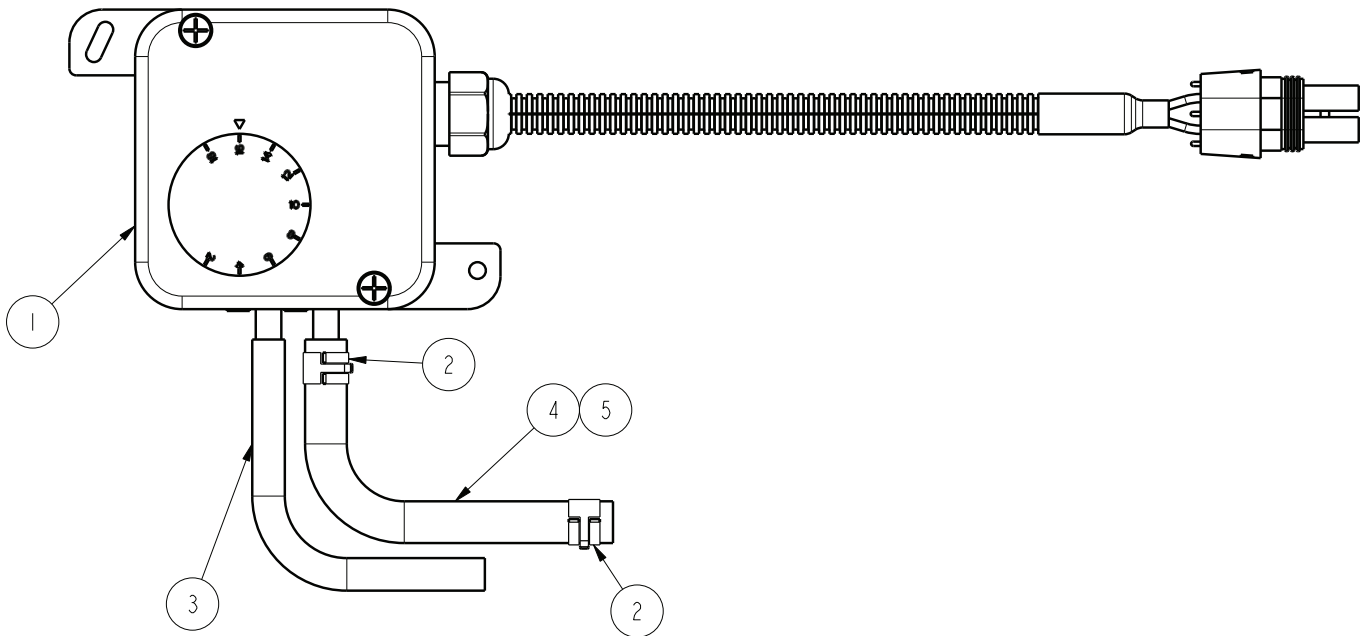
Natural Fiber & Wire - Good all around broom. Good for high heat applications.

#### **Side Broom User's Guide**

Poly - Stiff bristles for aggressive sweeping of mainly heavy litter. Not suited for high heat.

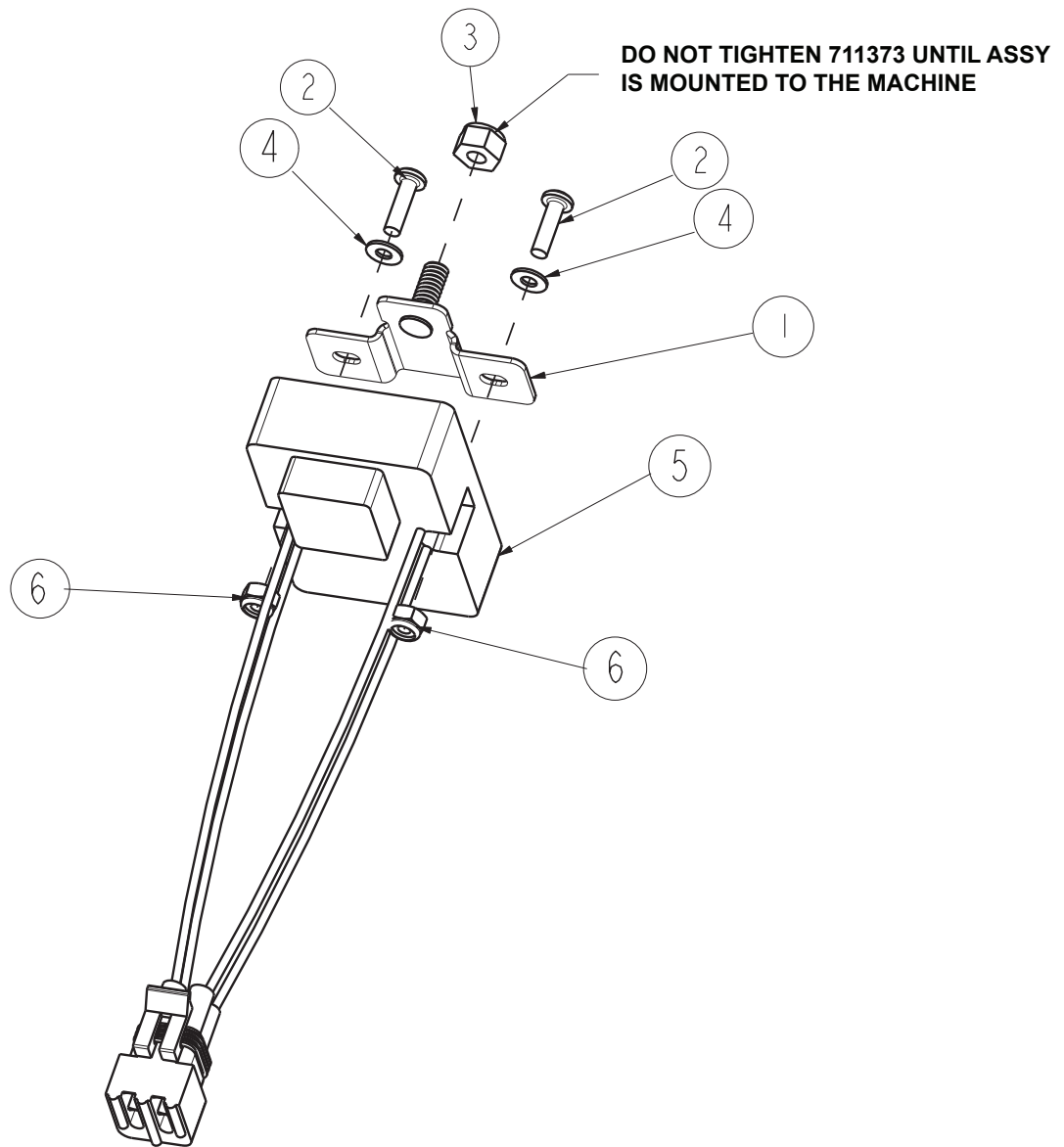
Nylon - Provides longest life. Recommended for tough sweeping jobs.

VACUUM SWITCH



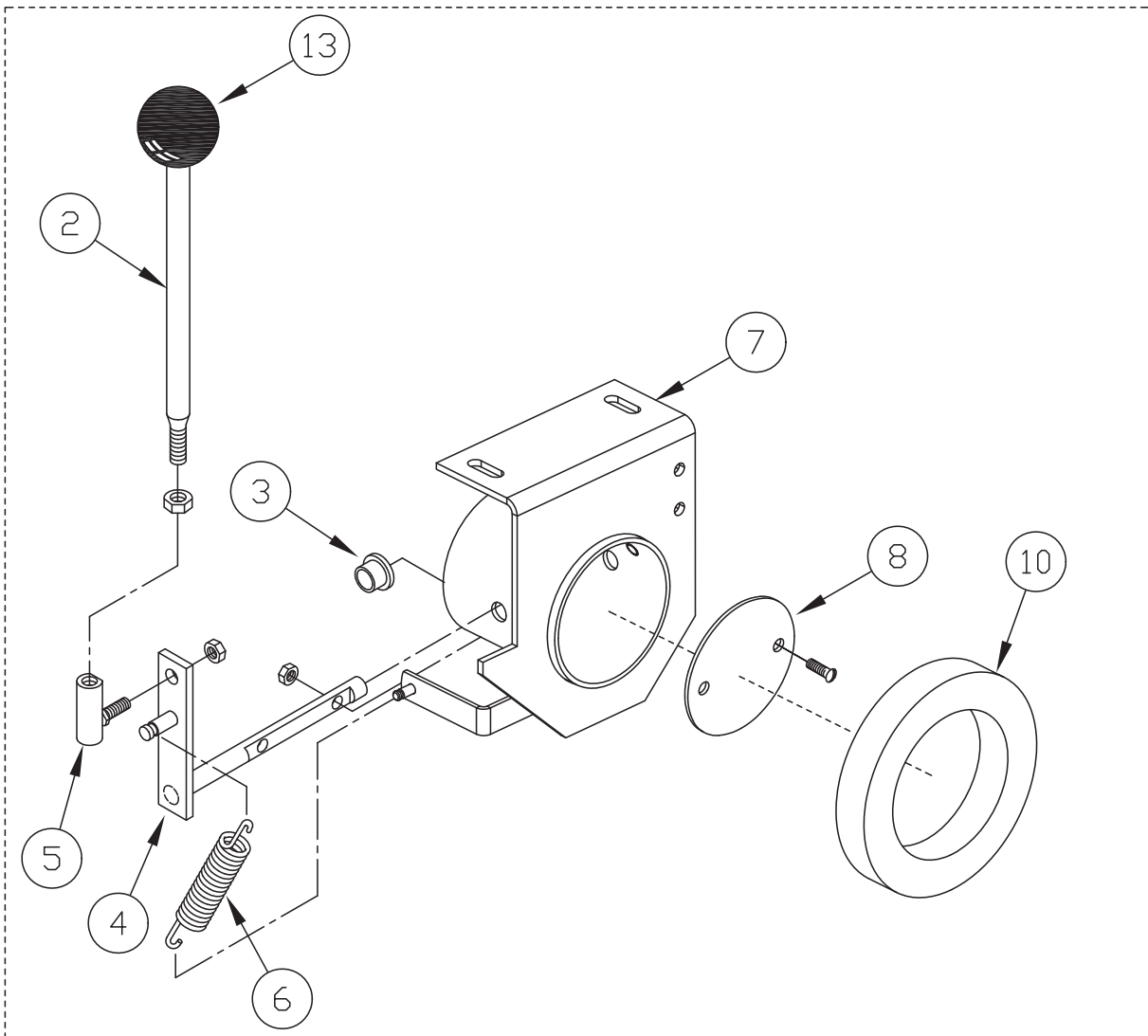
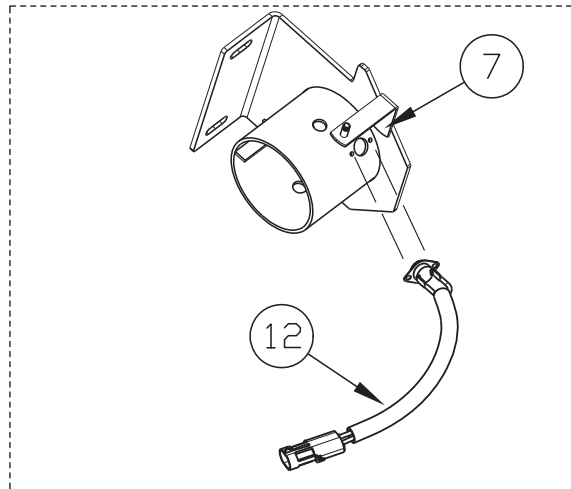
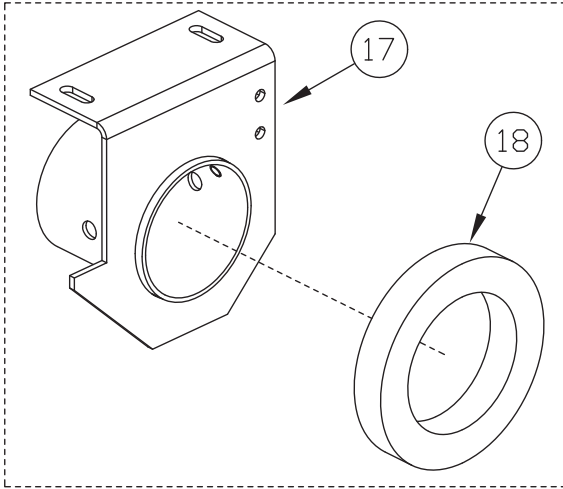
VACUUM SWITCH			
ITEM	PART NO.	REQ'D	DESCRIPTION
1	690083-1	1	HARNESS ASSY, SWITCH, DIFF PRESSURE
2	690225	2	CLAMP- HOSE .460
3	690958	1	HOSE-NYLO REINF 1/8 X 4"
4	690439	1	HOSE-PVC CLEAR 14", 5/16" ID, 7/16"OD
5	690959	1	HOSE-NYLO REINF 1/8 X 1"

**TIMER-FILTER SHAKER SEALED**



TIMER-FILTER SHAKER SEALED			
ITEM	PART NO.	REQ'D	DESCRIPTION
1	690138	1	BRACKET, TIMER
2	710230	2	SCR-MC 8-32 X .62 ST PL
3	711373	1	NUT - NYLOC 1/4-20
4	711502	2	WSR - FLT, .170 X .38 X .32 STL ZINC
5	748502-1	1	ASSY, RELAY - TIMER, W/CONNECTOR
6	3400082	2	NUT - HEX #8-32 ES ZP

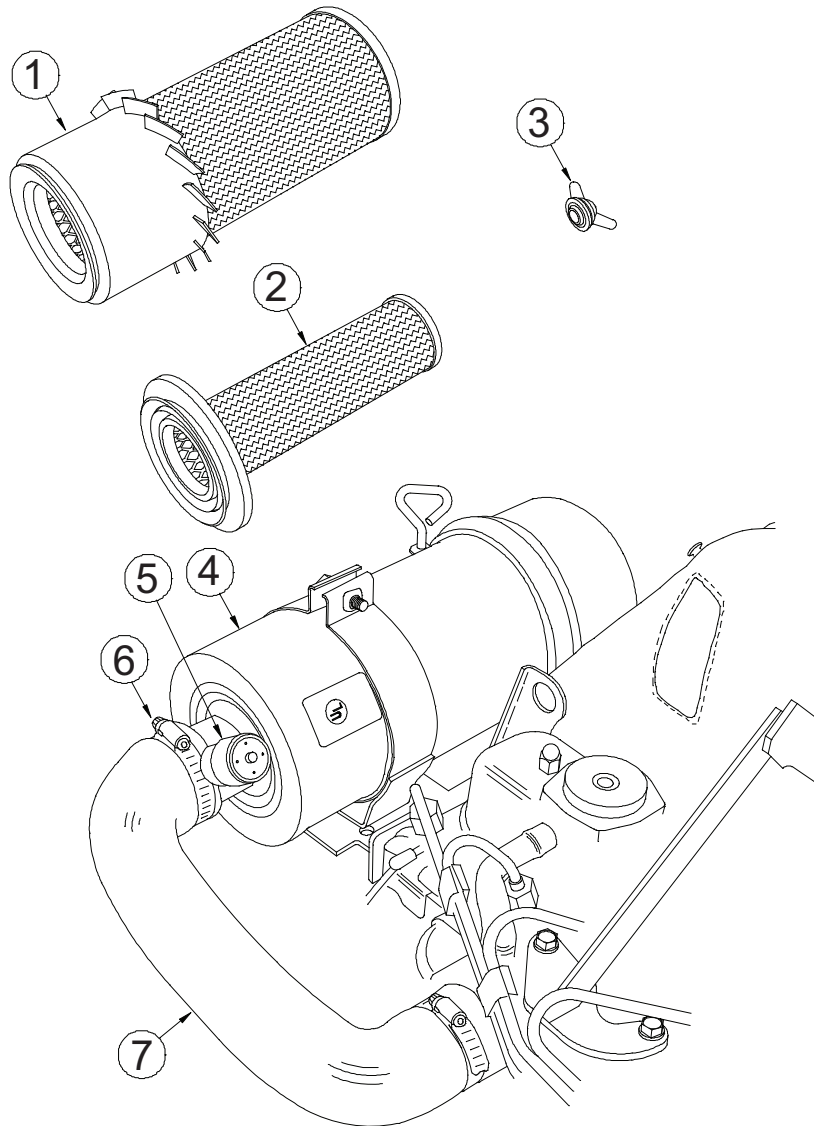
## GASKET MOUNT ASSEMBLY





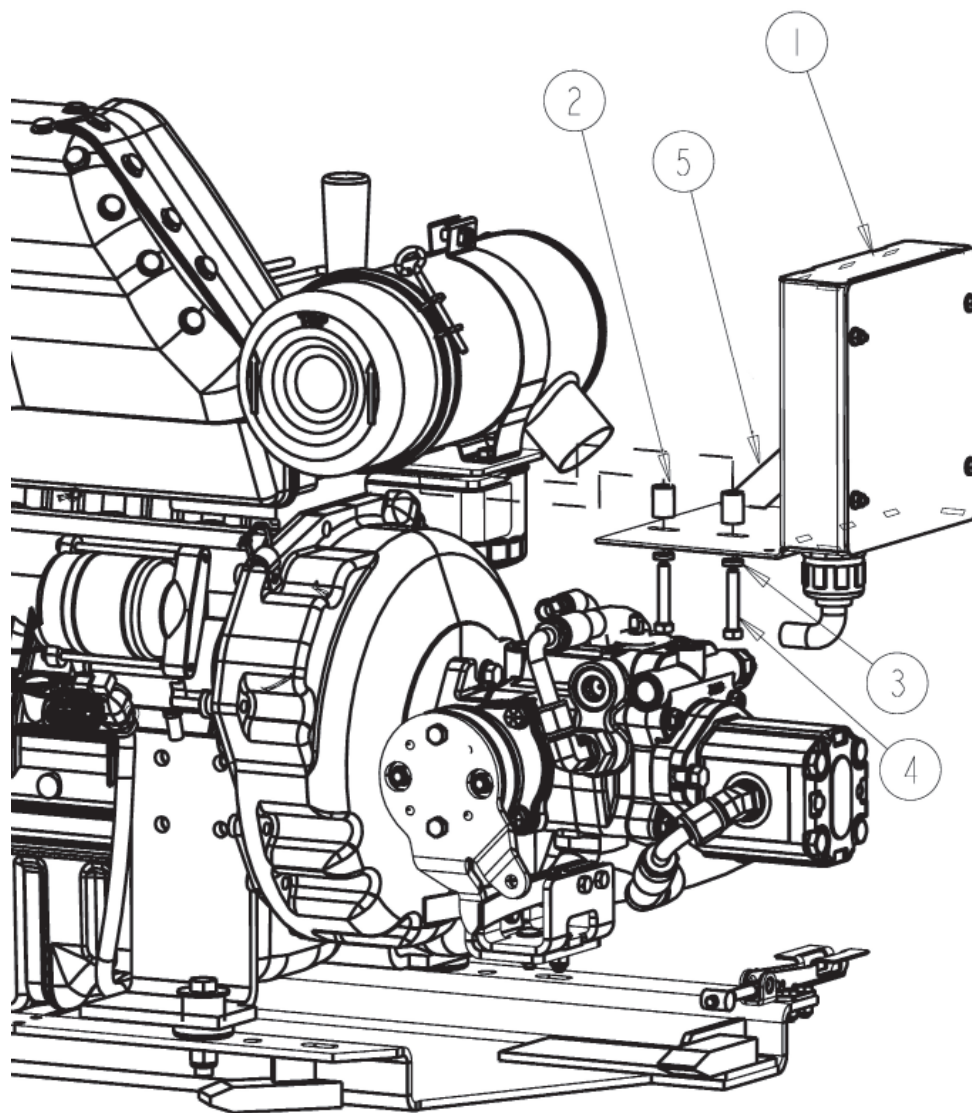
<b>GASKET MOUNT ASSEMBLY</b>			
<b>ITEM</b>	<b>PART NO.</b>	<b>REQ'D</b>	<b>DESCRIPTION</b>
	3307018	1	GASKET MOUNT SUB 9XV (Includes Items 1-13)
2	3307173	1	ROD-IMPELLER BAFFLE
3	810012	2	WASHER SHOULDER NYLON 1"OD .382ID
4	3307155	1	WELDMENT ROD GASKET MOUNT BAFFLE
5	3301199	1	BALL JOINT-1/4-28
6	3304160	1	SPRING-EXTENSION, 2.00 LG
7	3307182	1	WELDMENT-GASKET MOUNT,
8	3301498	1	DAMPER-HOPPER SHUTOFF,
10	3307005	1	GASKET-IMPELLER
12	748504-1	1	THERMOSTAT ASSEMBLY
13	3300563	1	KNOB-PLASTIC BALL 1" DIA, BLACK
17	3307182	1	WELD-GASKET MNT SW/A/62E
18	3307005	1	GASKET-IMPELLER

## ENGINE AIR CLEANER ASSEMBLY



ENGINE AIR CLEANER ASSEMBLY			
ITEM	PART NO.	REQ'D	DESCRIPTION
1	3302842	1	ELEMENT-AIR CLEANER, PRIMARY
2	3302597	1	ELEMENT-AIR CLEANER, SAFETY
3	3303827	1	NUT-WING, DONALDSON AIR CLEANER
4	3303031	1	"ASSEMBLY-DONALDSON HEAVY DUTY AIR CLEANER (Includes Items 1,2&3)"
5	3303991	1	INDICATOR-AIR CLEANER RESTRICTION
6	3044112	2	CLAMP-HOSE, φ2.5" SS
7	3333965	1	HOSE-RAD UPPER 1505 (COOLER)

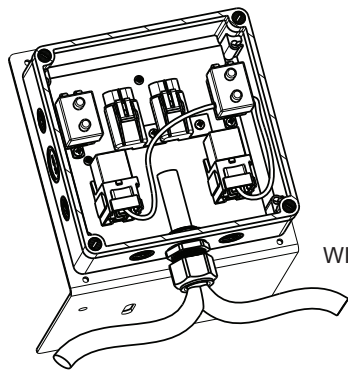
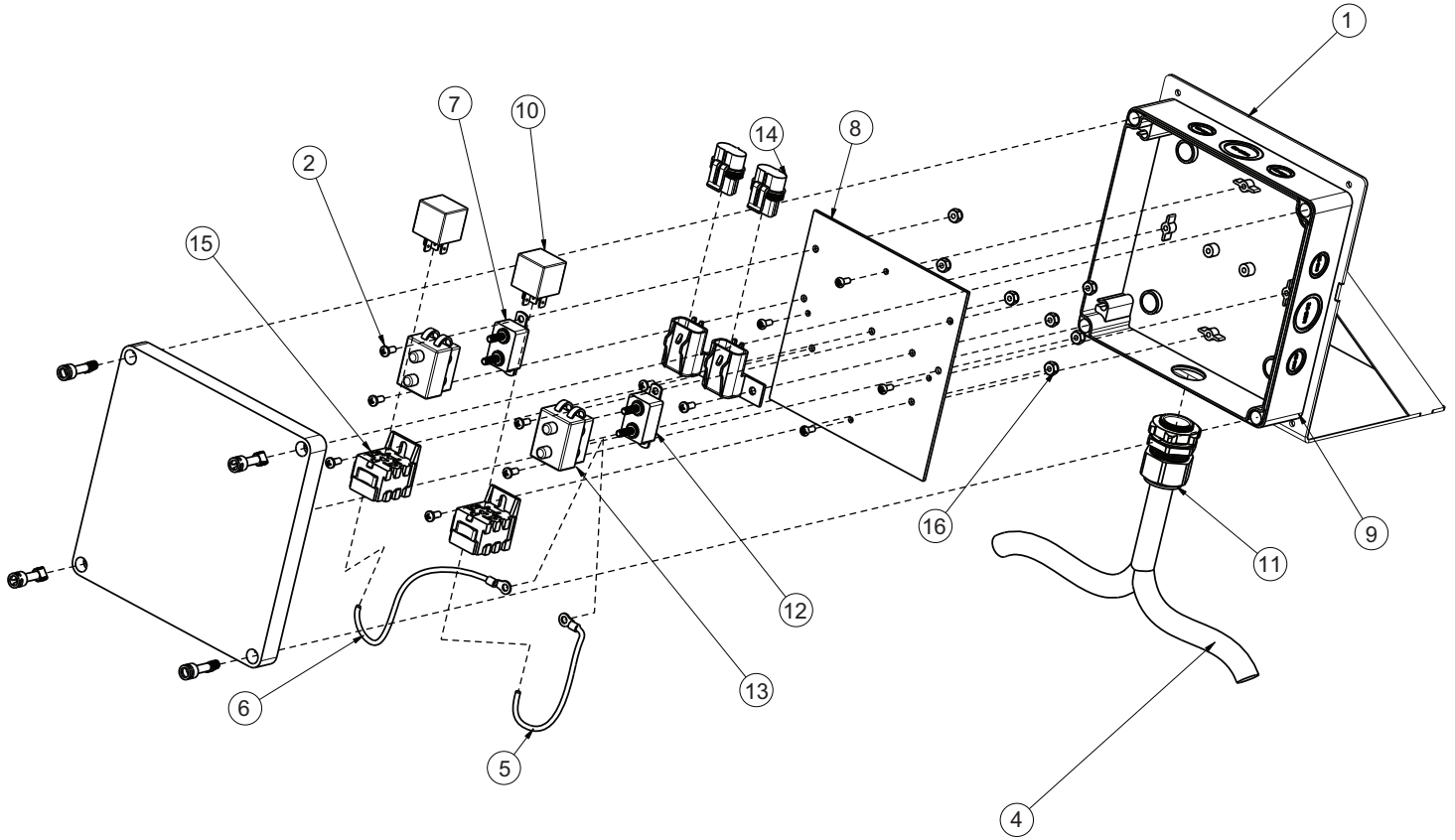
**ENGINE KUBOTA V1505 DIESEL - FUSE BOX ASSEMBLY**



**ENGINE KUBOTA V1505 DIESEL - FUSE BOX ASSEMBLY**

ITEM	PART NO.	REQ'D	DESCRIPTION
1	748769	1	ASSY - DIESEL CONTROL BOX
2	3342109	2	SPACER
3	3400102	2	WASHER
4	3400231	2	SCR-HEX,5/16-18X2.0 ZP
5	690042	1	BRACKET, MTG, WELD, DIESEL CONTROL BOX

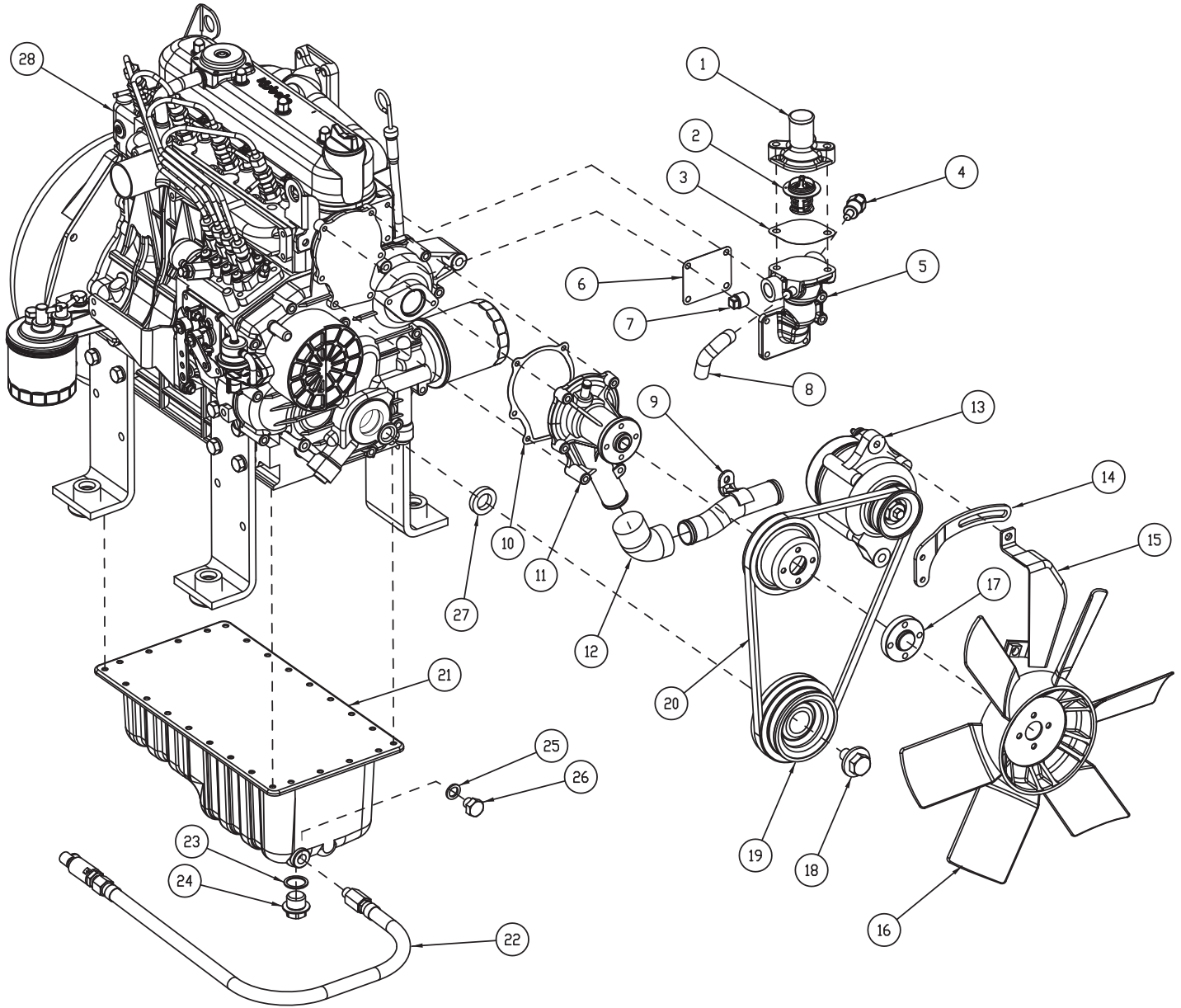
## ENGINE KUBOTA V1505 DIESEL - FUSE BOX DETAILS



DIESEL CONTROL BOX  
WITH TOP COVER REMOVED

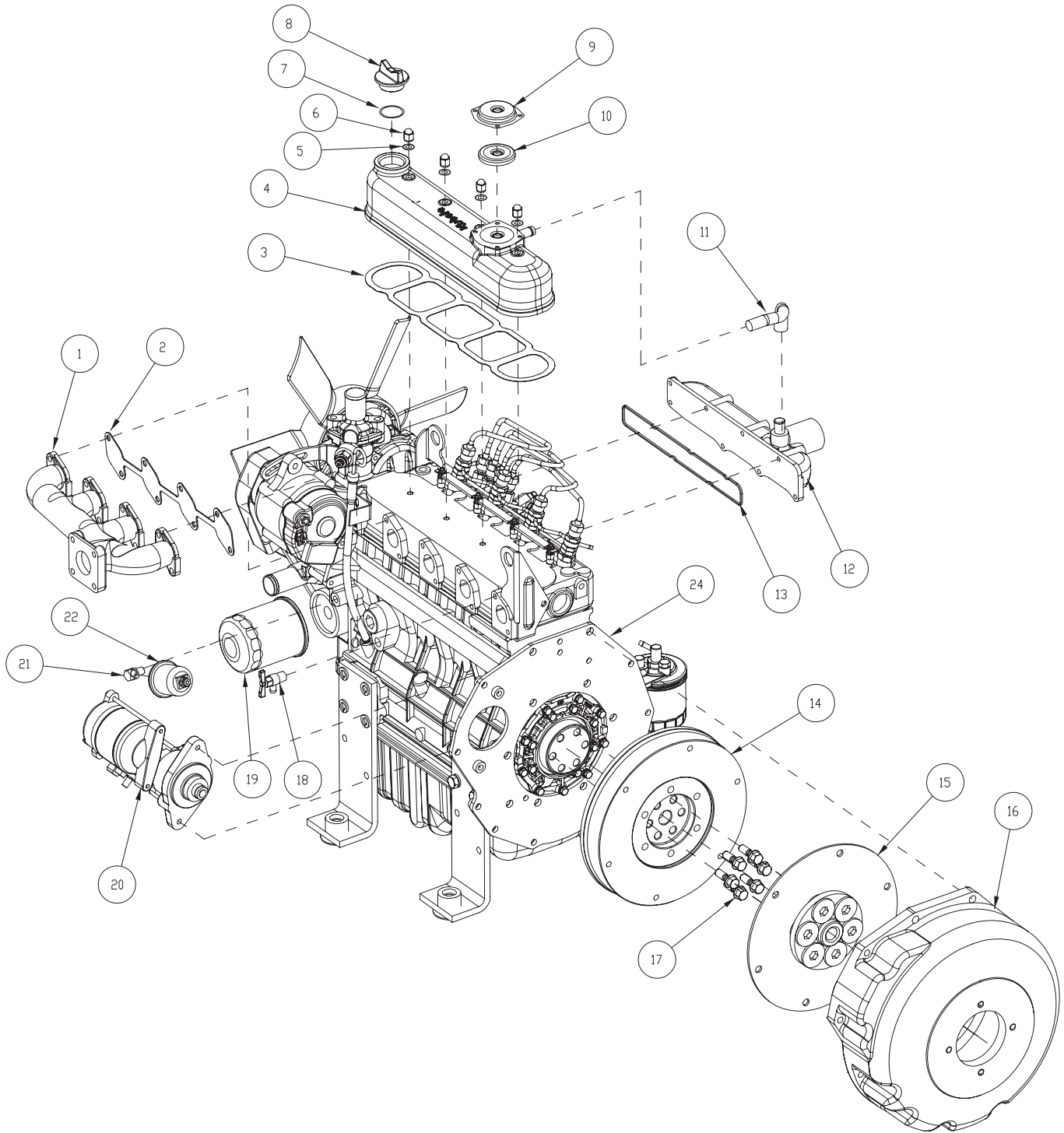
<b>ENGINE KUBOTA V1505 - DIESEL CONTROL BOX (748769)</b>			
<b>ITEM</b>	<b>PART NO.</b>	<b>REQ'D</b>	<b>DESCRIPTION</b>
1	690042	1	BRACKET, MTG, WELD, DIESEL CONTROL BOX
2	710328	8	SCR-RHMS 8-32 X .37 ZP
3	712540	4	SCR-THMS 10-24 X .37 SS
4	748447	1	WIRING HARNESS, KUBOTA DSL CONTROL BOX
5	748447-1	1	WIRE ASSY, ORANGE
6	748447-2	1	WIRE ASSY, YELLOW
7	748762	1	CIRCUIT BREAKER, 12V 50A
8	748763-MCH	1	MOUNTING PLATE, MACHINED
9	748764	1	ENCLOSURE W/ METRIC KNOCKOUTS
10	748767	2	RELAY, 14 VDC 50/30 A
11	748768	1	CORDGRIP, M25, LIQUID TIGHT
12	748962	1	CIRCUIT BREAKER, 12V 40A
13	748963	2	CIRCUIT BREAKER BOOT
14	748964-1	2	ASSY, FUSE HOLDER
15	748967	2	SOCKET, RELAY
16	3400082	8	NUT-NYLOC 8-32 ZP

## ENGINE KUBOTA V1505 DIESEL - ALTERNATOR, WATER PUMP, FAN, AND OIL PAN



<b>ENGINE KUBOTA V1505 DIESEL - ALTERNATOR, WATER PUMP, FAN, AND OIL PAN</b>			
<b>ITEM</b>	<b>PART NO.</b>	<b>QTY</b>	<b>DESCRIPTION</b>
1	3336919	1	COVER-THERMOSTAT KUBOTA V1505
2	3350446	1	THERMOSTAT-KUBOTA V1505 & V2203
3	3336918	1	GASKET-THERMOSTAT KUBOTA V1505
4	3341070	1	SENDER-TEMPERATURE 12V KUBOTA V1505
5	3336939	1	HOUSING-THERMOSTAT KUBOTA V1505
6	3336915	1	GASKET-WATER FLANGE KUBOTA V1505
7	3336947	1	PLUG-THERMOSTAT HSG KUBOTA V1505
8	3336931	1	PIPE-WATER RETURN THERMOSTAT HSG
9	3336946	1	PIPE-WATER KUBOTA V1505
10	3330793	1	GASKET - KUBOTA V1505 WATER PUMP
11	3330792	1	PUMP - WATER, KUBOTA V1505
12	3336932	1	PIPE-WATER PUMP KUBOTA V1505
13	3329875	1	ALTERNATOR-KUBOTA V1505
14	3336067	1	STAY-DYNAMO
15	3331935	1	COVER-BELT
16	3330210	1	FAN - KUBOTA V1505 ENGINE (SP) 1
17	3336933	1	SPACER-FAN 10MM KUBOTA V1505
18	3336937	1	BOLT-PULLEY KUBOTA V1505
19	3336934	1	PULLEY-ENGINE KUBOTA V1505
20	3329867	1	BELT-KUBOTA V1505V
21	3336920	1	PAN-OIL KUBOTA V1505
22	661004	1	OIL DRAIN ASSY, V1505
23	3344822	1	DRAIN PLUG GASKET, KUBOTA
24	3338327	1	PLUG-DRAIN (BOTTOM)
25	3338328	1	GASKET-OIL PAN (ALTERNATE)
26	3344821	1	PLUG-DRAIN (SIDE) (ALTERNATE)
27	3337571	1	SEAL, OIL KUBOTA V1505
28	690116	1	ENGINE, DSL, DE-RATED - V1505, KUBOTA

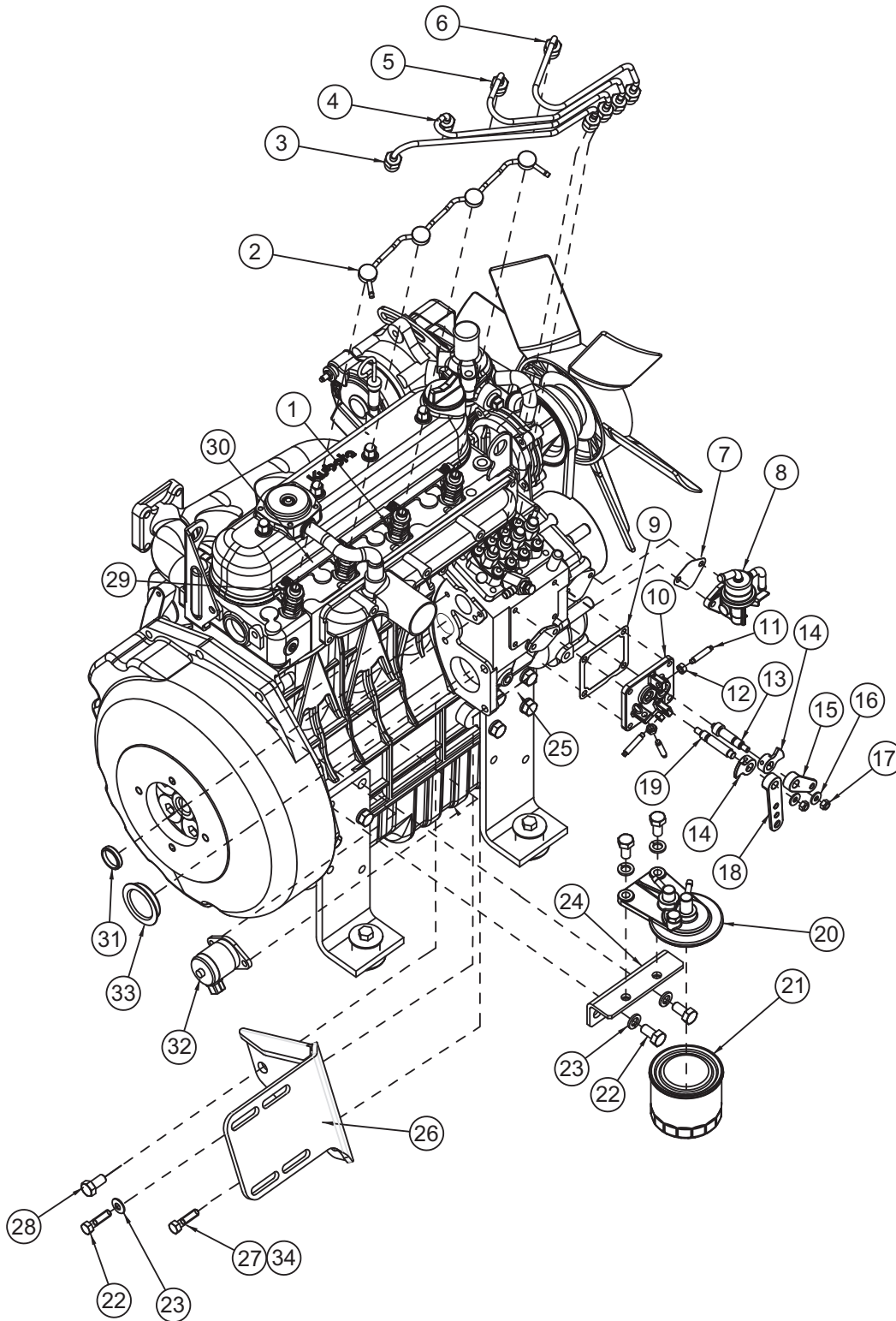
## ENGINE KUBOTA V1505 DIESEL - FLYWHEEL, STARTER, HEAD COVER, AND MANIFOLD





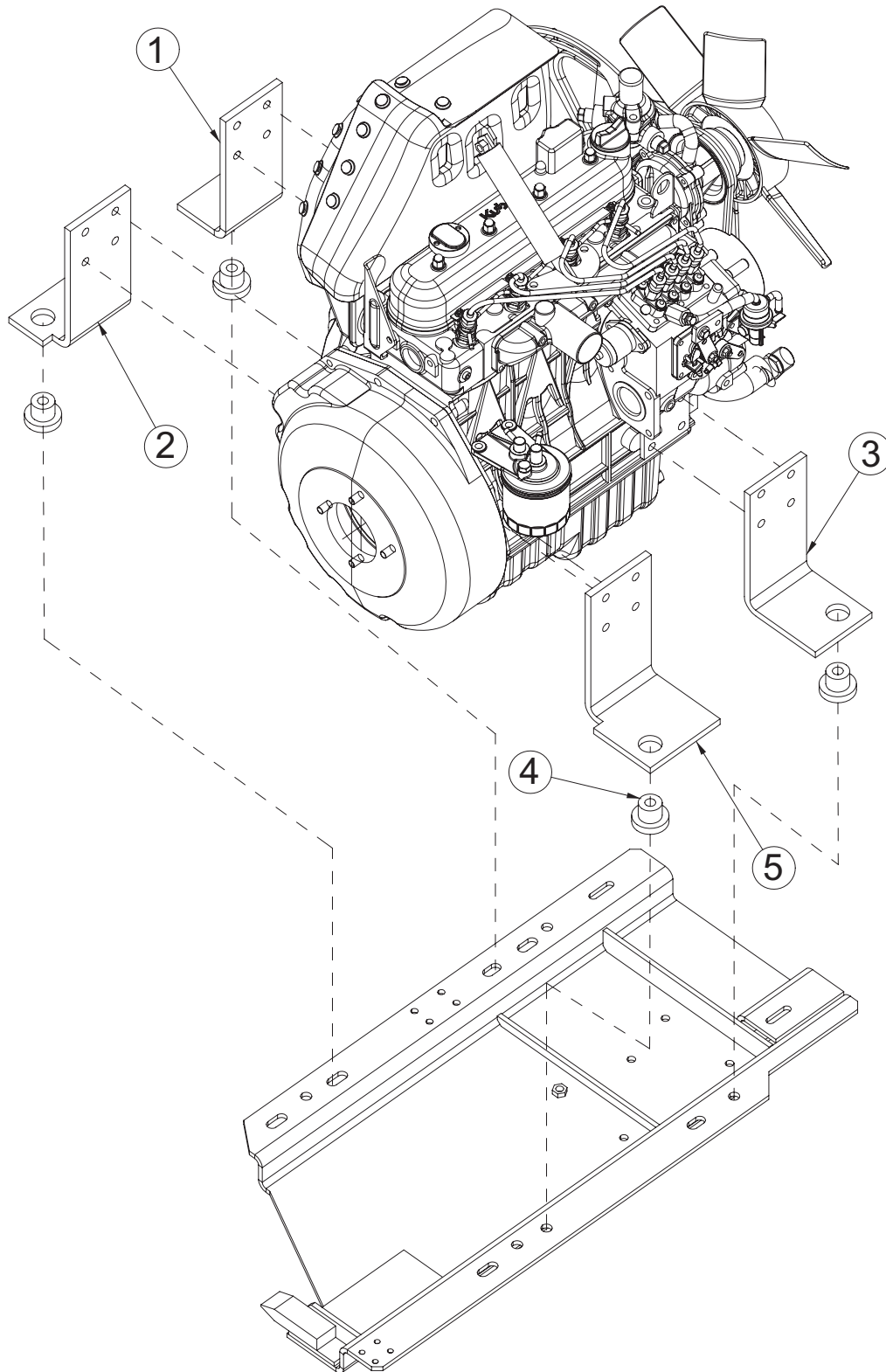
<b>ENGINE KUBOTA V1505 DIESEL - FLYWHEEL, STARTER, HEAD COVER, AND MANIFOLD</b>			
<b>ITEM</b>	<b>PART NO.</b>	<b>QTY</b>	<b>DESCRIPTION</b>
1	3334041	1	MANIFOLD-EXHAUST KUBOTA V1505
2	3333964	1	GASKET-EX-MANIFOLD KUBOTA V1505
3	3334278	1	GASKET - VALVE COVER KUBOTA V1505
4	3336910	1	COVER-CYLHEAD KUBOTA V1505
5	3337572	4	GASKET KUBOTA V1505
6	3336916	4	NUT-CYLHEAD COVER KUBOTA V1505
7	3337573	1	O-RING KUBOTA V1505
8	3336926	1	PLUG-OIL FILLER KUBOTA V1505
9	3337574	1	COVER, BREATHER KUBOTA V1505
10	3337575	1	VALVE BREATHER KUBOTA V1505
11	3337576	1	TUBE BREATHER KUBOTA V1505
12	3336911	1	MANIFOLD-INLET KUBOTA 1505
13	3337577	1	GASKET INTAKE MANIFOLD KUBOTA V1505
14	3336935	1	COMP-FLYWHEEL KUBOTA V1505
15	3329956	1	COUPLING-KUBOTA DIESEL V1505/D905
16	3329957	1	BELL HOUSING KUBOTA V1505 DIESEL
17	3336938	6	BOLT-FLYWHEEL KUBOTA V1505
18	3339628	1	ASSY-COCK DRAIN V1505
19	3324129	1	FILTER - OIL, 1505/905 KUBOTA DIE
20	3330402	1	STARTER - KUBOTA V1505, 12V
21	690767	1	FTG ELBOW, OIL PRESS. SENSOR KBTA V1505
22	3341069	1	SENDER-OIL PRESSURE 12V
24	3336917	1	PLATE-REAR END V1505

## ENGINE KUBOTA V1505 DIESEL - FUEL SYSTEM AND SPEED CONTROL



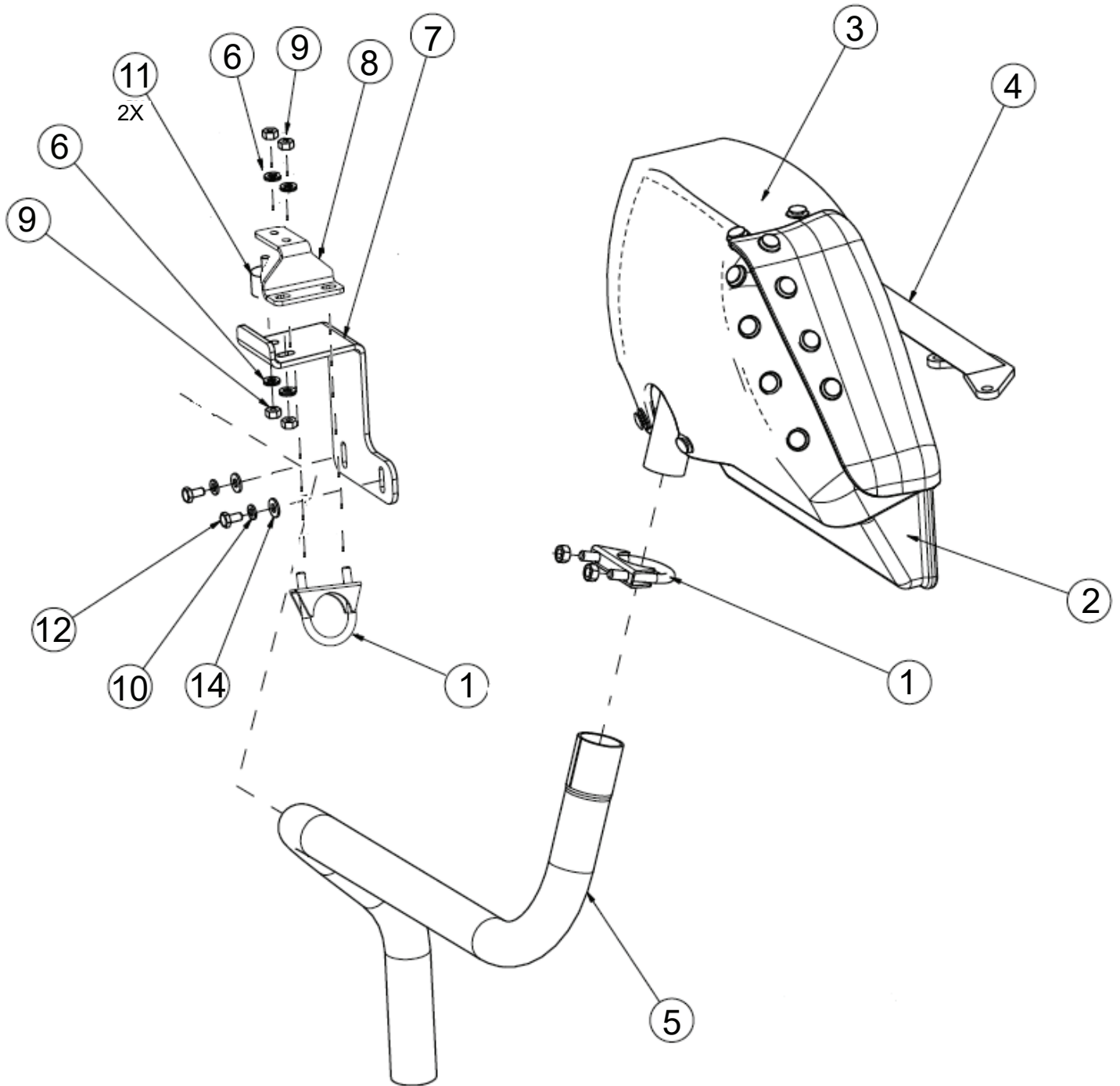
<b>ENGINE KUBOTA V1505 DIESEL - FUEL SYSTEM AND SPEED CONTROL</b>			
<b>ITEM</b>	<b>PART NO.</b>	<b>QTY</b>	<b>DESCRIPTION</b>
1	3330106	4	INJECTOR-KUBOTA V1505 DIESEL
2	3333567	1	FUEL LINE-KBA 1505 LEAK OFF LINE
3	3334998	1	PIPE INJECTION-KUBOTA V1505
4	3334997	1	PIPE INJECTION-KUBOTA V1505
5	3334996	1	PIPE INJECTION-KUBOTA V1505
6	3334995	1	PIPE INJECTION-KUBOTA V1505
7	3330693	1	KUBOTA 1505-FUEL PUMP GASKET
8	3330692	1	PUMP - FUEL, KUBOTA V1505 DIESEL
9	3336924	1	GASKET-CONTROL PLATE KUBOTA V1505
10	3336943	1	PLATE-SPEED CONTROL KUBOTA V1505
11	3336944	3	BOLT-ADJUSTING SPEED CONTROL KUBOTA
12	3336976	3	HUT-HEX JAM 6MM
13	3336948	1	SHAFT-LEVER STOP SPEED CONTROL KUBOTA
14	3336942	2	LEVER-SPEED CONTROL KUBOTA V1505
15	3336945	1	LEVER-ENGINE STOP KUBOTA V1505
16	3336969	2	WASHER-PLAIN 15MM OD X 6MM ID X 1
17	3336970	2	NUT-HEX LOCK 6MM
18	3336941	1	LEVER-SPEED CONTROL KUBOTA V1505
19	3336949	1	LEVER-GOVERNOR KUBOTA V1505
20	3305882	1	MOUNT, FUEL FILTER KUBOTA PNTD
21	3303324	1	FILTER - FUEL KUBOTA DSL (SP)
22	3400293	3	SCR-HEX 10MMX1.25PX20MM ZP
23	3401458	5	WSH-LOCK, 10 MM ZP
24	3336912	1	BRACKET-FUEL FILTER KUBOTA V1505
25	3400390	1	NUT-FLANGE LOCK 5/16-18
26	3350331	1	MOUNT-THROTTLE KBA 1505 DSL
27	11038254	1	SCR-HH M8-1.25 X 30 ZP CLASS 8.8
28	717024	1	SCR-HH M8-1.25 X 20 ZP GRADE 8.8
29	3330795	4	GLOW PLUG KUBOTA V1505
30	3337578	1	CORD GLOW PLUG KUBOTA V1505
31	3336927	1	PLUG-ENGINE KUBOTA V1505
32	3334549	1	KIT-SOLENOID FUEL SHUT-OFF W/ JUMPER
33	3336925	1	COVER HYDRAULIC PUMP-ENGINE KUBOTA V1505
34	12040051	1	NUT-NYLOC M8 X 1.25 ZP CLASS 8 (NOT SHOWN)

## ENGINE KUBOTA V1505 DIESEL - MOTOR MOUNTING



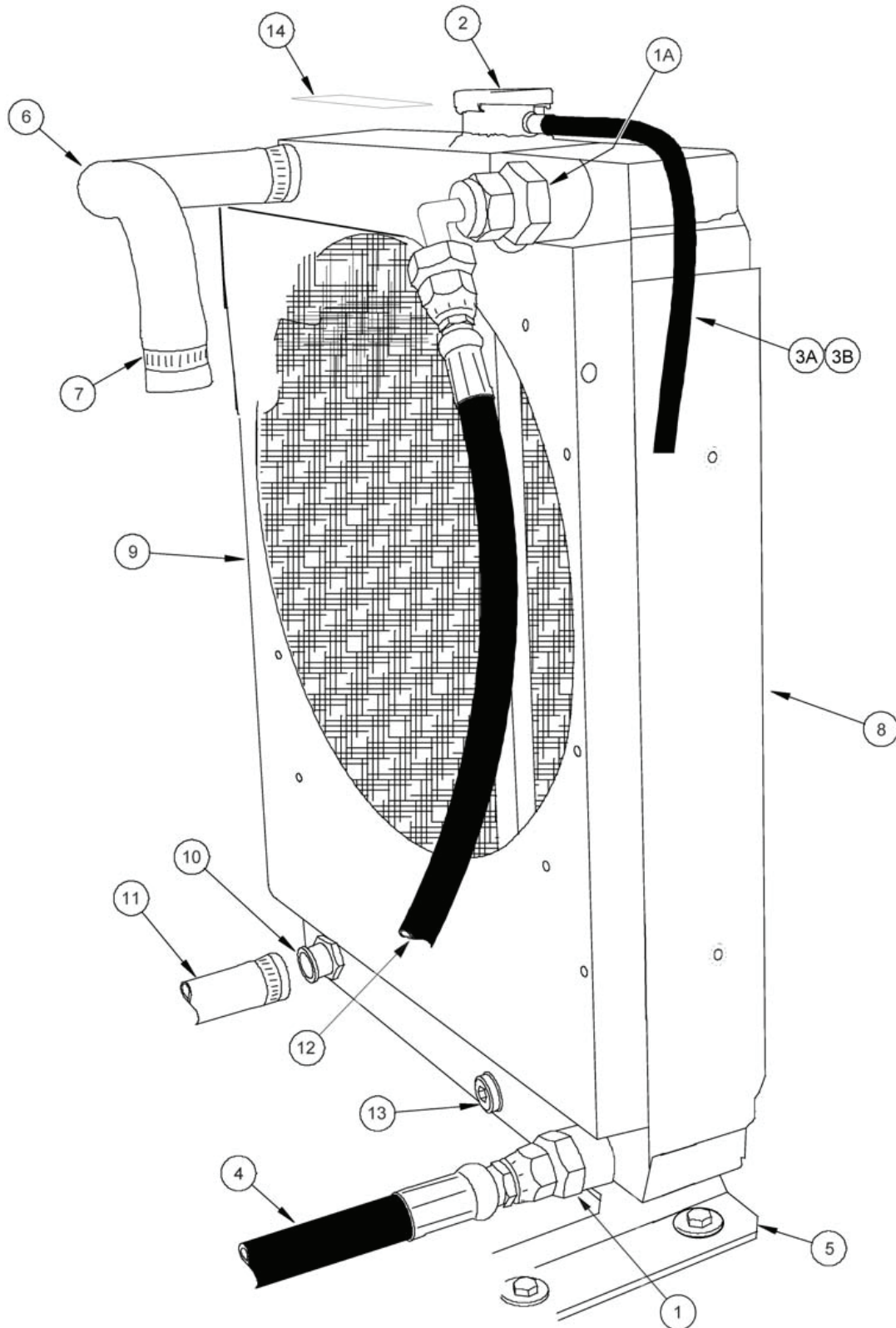
<b>ENGINE KUBOTA V1505 DIESEL - MOTOR MOUNTING</b>			
<b>ITEM</b>	<b>PART NO.</b>	<b>REQ'D</b>	<b>DESCRIPTION</b>
1	690032	1	ENGINE MOUNT, OUTER, AM9D, KUBOTA V1505
2	690032	1	ENGINE MOUNT, OUTER, AM9D, KUBOTA V1505
3	690031	1	ENGINE MOUNT, INNER, AM9D, KUBOTA V1505
4	3300464	4	ISOLATOR-RUBBER, 1.24 DIAx1.25 LG
5	690031	1	ENGINE MOUNT, INNER, AM9D, KUBOTA V1505
-	3350329	1	BRKT-HOSE RET., FRONT, KUBOTA V1505 DIESEL (NOT SHOWN)
-	3333301P	1	BRKT-HOSE RET., REAR, KUBOTA V1505 DIESEL (NOT SHOWN)

ENGINE KUBOTA V1505 DIESEL - EXHAUST DETAIL



ENGINE KUBOTA V1505 DIESEL - EXHAUST DETAIL			
ITEM	PART NO.	REQ'D	DESCRIPTION
1	3301641	2	CLAMP-EXHAUST 1 1/2
2	3330627	1	MUFFLER-KUBOTA V1505 BOX
3	3330629	1	BLANKET-KUBOTA V1505E BOX EXHAUST
4	EPS2655	1	STAY MUFFLER
5	3335036	1	EXHAUST-KUBOTA V1505 9X
6	3401570-7W	4	WASHER-NORD-LOCK, 1/4, 0.53 OD
7	3336632	1	PLT - EXHAUST MNT BRKT
8	690113	1	BRACKET, UPPER EXHAUST HANGER, 9X/AM9D
9	3400071	4	NUT-HEX 1/4-20
10	3400103	2	WASHER-LOCK 1/4 SPLIT
11	3344112	2	ISO-CYL, 1 DIA X 3/4 X 1/4-20,
12	3400043	2	SCR-HH 1/4-20 X .50 ZINC
14	3400089	2	WASHER-FLAT 1/4 STANDARD
15	3335134	1	EXHAUST FUNNEL, ARMA
16	713002	4	BLT-HH 1/4-20 X .75 #5 ZINC
17	3400383	4	WASHER-CONICAL SPRING 1/4
18	711425	4	NUT-FLANGED WIZZ 1/4-20 STL ZP

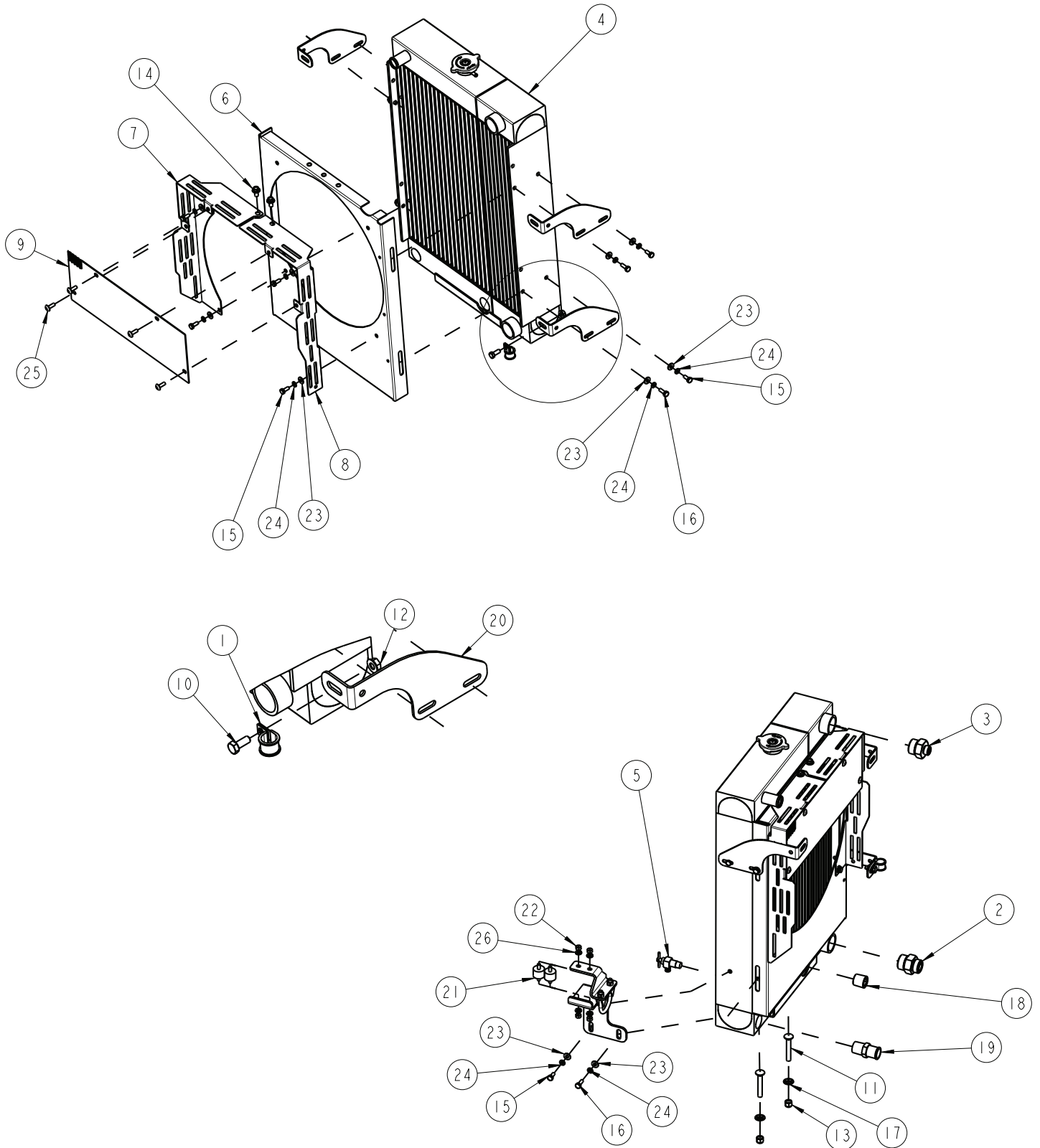
## ENGINE KUBOTA V1505 DIESEL - RADIATOR DETAIL





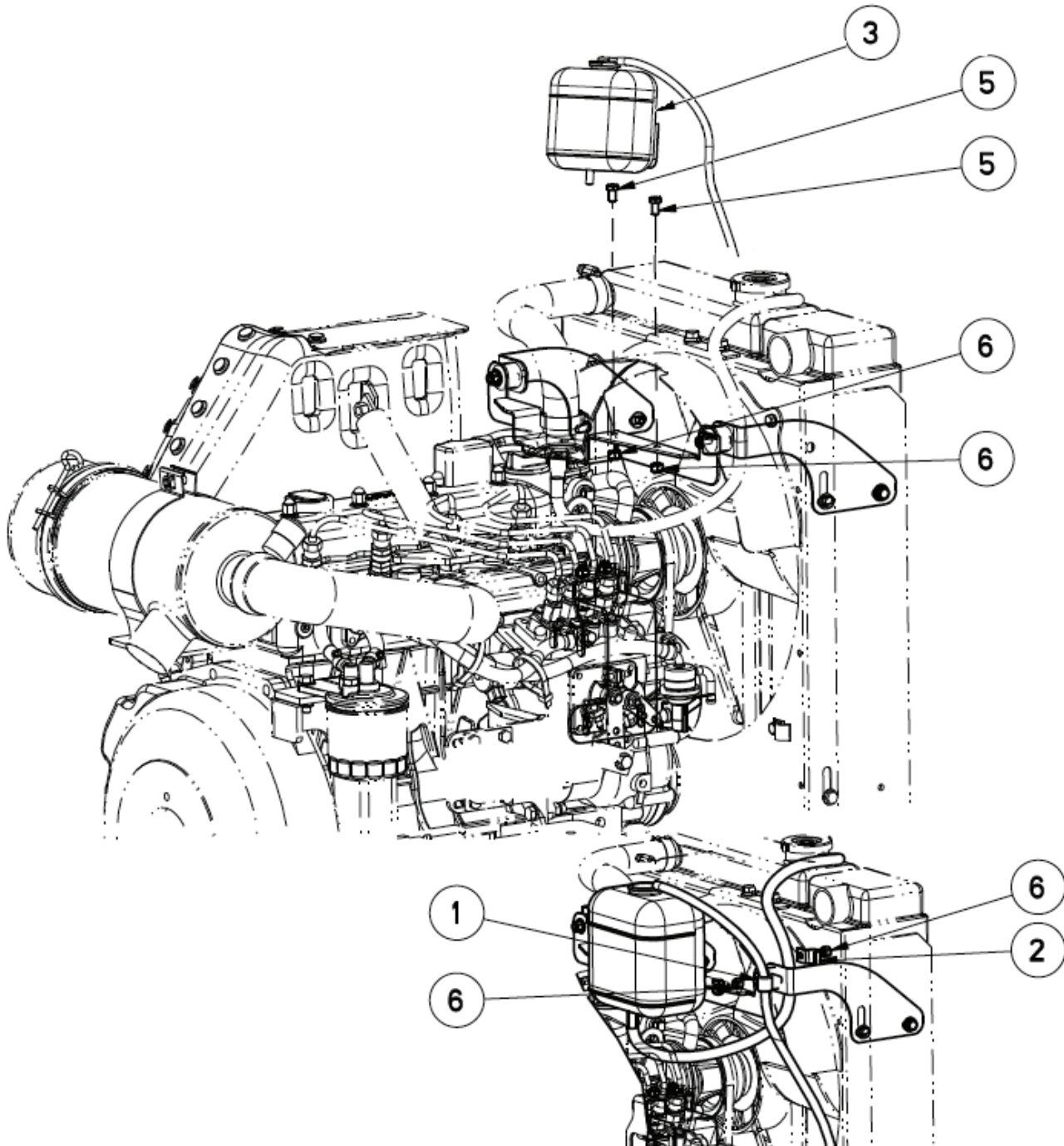
<b>ENGINE KUBOTA V1505 DIESEL - RADIATOR DETAIL</b>			
<b>ITEM</b>	<b>PART NO.</b>	<b>REQ'D</b>	<b>DESCRIPTION</b>
1	675503	1	FTG-STR THD CONNECTOR -12 ORFS TO -16 S
1A	675530	1	FTG-STR THD CONNECTOR -8 ORFS TO -16 S
2	3336527	1	RADIATOR CAP
3A	690019	24"	HOSE, RADIATOR TO OVERFLOW BOTTLE, 21" LENGTH
3B	690019	36"	HOSE, OVERFLOW BOTTLE EXIT, 36" LENGTH
4	675419	1	HYD HOSE - RAD OUT TO RESV
5	690033	1	MOUNT-RADIATOR HYD W/COOLER
6	3332643	2	HOSE-UPPER RADIATOR, KUBOTA 1505
7	3303255	4	CLAMP-HOSE 1.75 DIA NOMINAL
8	690125	1	RADIATOR-OIL COOLER, LP/GAS/DSL
9	690150	1	ASSY, FAN SHROUD, DSL/LP/GAS
10	3333489	1	FTG-RADIATOR HOSE
11	690020	1	LOWER RADIATOR HOSE, AM9D
12	675418	1	HYD HOSE - FILTER OUT TO RAD
13	3333488	1	FTG-PLUG, RADIATOR
14	3301733	2	DECAL-WARNING FAN (RAD SHROUD)
--	690225	4	CLAMP- HOSE .460 (NOT SHOWN - USED WITH ITEMS 3A and 3B ON EACH END)

## ENGINE KUBOTA V1505 DIESEL - RADIATOR DETAIL 2



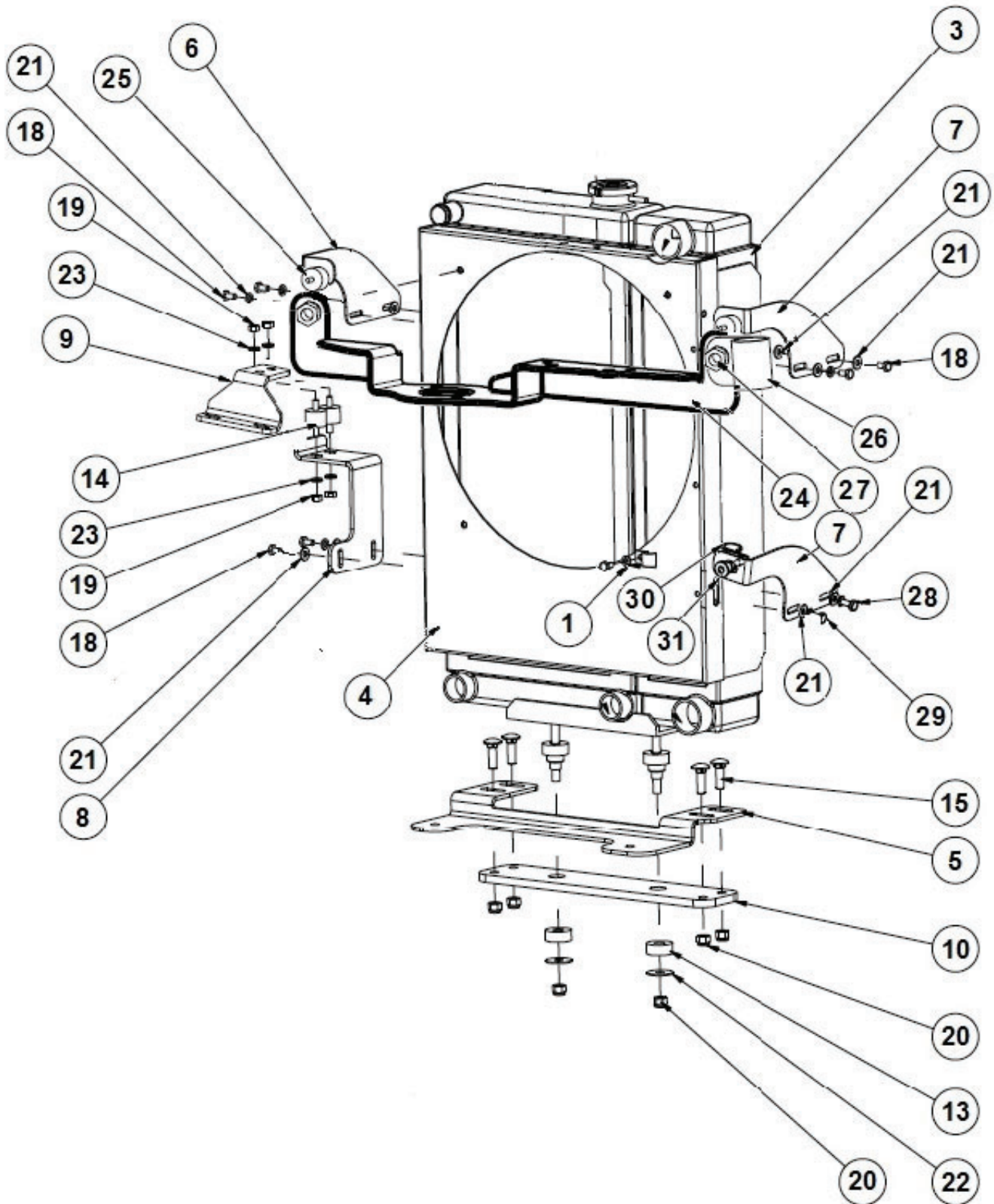
<b>ENGINE KUBOTA V1505 DIESEL - RADIATOR DETAIL 2</b>			
<b>ITEM</b>	<b>PART NO.</b>	<b>REQ'D</b>	<b>DESCRIPTION</b>
1	82-54-A	1	CLAMP-P .75 I.D. 5/16 DIA.
2	675503	1	FTG-ORFS STR THD -12 -16 SAE
3	675530	1	FTG-ORFS STR THD -8 -16 SE
4	690125	1	RADIATOR-OIL COOLER, LP/GAS/DSL
5	690125-1	1	PETCOCK
6	690150	1	ASSY, FAN SHROUD, DSL/LP/GAS
7	690827	1	BRKT ASSY, FAN SHROUD LH
8	690828	1	BRKT ASSY, FAN SHROUD RH
9	690829	1	BRKT, FAN SHROUD PERFORATED
10	711228	1	SCR-HH 5/16-18 X .75 ZP GR 5
11	711254-1	2	BLT-CARR 3/8-16 X 2.50 ZP GR 5
12	711379	1	NUT-FLANGED WIZZ 5/16-18 ZP
13	711380	2	NUT-NYLOC 3/8-16 ZP
14	712042	2	SCR-HH 5/16-18 X.62 ZP GR 5 FLANGE
15	713001	8	SCR-HH 1/4-20 X .62 GR 5 ZP
16	713002	4	SCR-HH 1/4-20 X .75 ZP 5
17	3316981	2	NUT-PUSH RETAINER 3/8 BOLT, 25/32 OD ZP
18	3333488	1	FTG-PLUG -12 BRASS
19	3333489	1	FTG-ADAPTER 1" MPT X 3/4 HB BRASS
20	3336629	1	PLATE- RADIATOR MNT, LH
21	3344112	2	ISO-CYL, 1 DIA X 3/4 X 1/4-20,50LBS
22	3400071	4	NUT-HEX 1/4-20 ZP GR 5
23	3400089	12	WASHER-FLAT 1/4 ZP
24	3400103	12	WASHER-LOCK 1/4 SPLIT ZP
25	3401460	4	SCR-THMS 1/4-20 X .75 PHIL 18-8 SS
26	3401570-7W	4	WASHER-NORD-LOCK, 1/4, 0.53 OD, ZP

## ENGINE KUBOTA V1505 DIESEL - RADIATOR COOLANT TANK & MOUNT



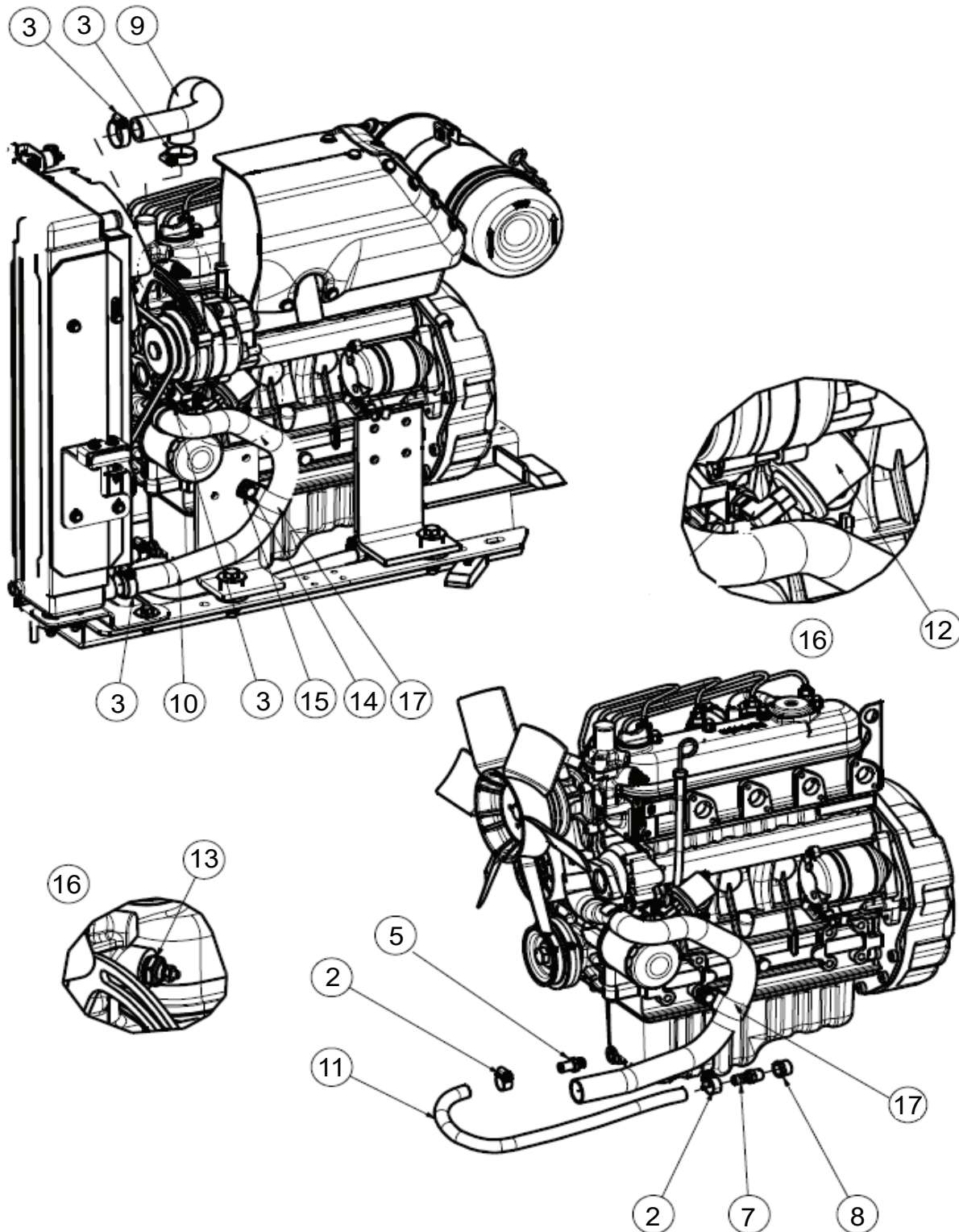
<b>ENGINE KUBOTA V1505 DIESEL - RADIATOR COOLANT TANK &amp; MOUNT</b>			
<b>ITEM</b>	<b>PART NO.</b>	<b>REQ'D</b>	<b>DESCRIPTION</b>
1	713527	1	P-CLAMP, VINYL COVERED, 1/2 DIA
2	3301158	1	CLAMP-CABLE 11/16" DIA CLAMP-SADDLE TYPE 5/16" DIA.
3	3344101	1	RESERVOIR ASSY
4	3344112	4	ISOLATOR- CYLINDRICAL, 1 DIA X 3/4 X 1/4-20,
5	713002	6	BLT-HH 1/4-20 X .75 #5 ZINC
6	711373	10	NUT-NYLOC 1/4-20

## ENGINE KUBOTA V1505 DIESEL - RADIATOR ASSEMBLY & MOUNTING BRACKETS



<b>ENGINE KUBOTA V1505 DIESEL - RADIATOR ASSEMBLY &amp; MOUNTING BRACKETS</b>			
<b>ITEM</b>	<b>PART NO.</b>	<b>REQ'D</b>	<b>DESCRIPTION</b>
1	3301158	1	CLAMP-SADDLE TYPE 11/16" DIA.
3	690125	1	RADIATOR-OIL COOLER COMBO
4	690150	1	ASSY, FAN SHROUD, DSL/LP/GAS
5	690033	1	PLATE- BASE, RADIATOR MOUNT, AM9D
6	3336627	1	PLT-RADIATOR MNT, RH TOP
7	3336629	2	PLT - RADIATOR MNT, LH TOP
8	3336632	1	PLT - EXHAUST MNT BRKT
9	690113	1	PLT - EXHAUST MNT, UPPER BRKT
10	3336634	1	PLT - RADIATOR MNT
13	3344110	2	ISOLATOR-BONDED BUSHING BOTTOM RADIATOR
14	3344112	2	ISOLATOR- CYLINDRICAL, 1 DIA X 3/4 X 1/4-20,
15	3400007	4	SCR-CAR,3/8-16X1.25
18	711207	6	BLT-HH 1/4-20 X 1.00 STL ZINC
19	3400071	4	NUT-HEX 1/4-20
20	711380	6	NUT-NYLOC 3/8-16
21	3400103	8	WASHER-LOCK 1/4 SPLIT ZP
22	3400278	2	WASHER-FENDER 3/8
23	3401570-7W	4	WASHER-NORD-LOCK, 1/4, 0.53 OD
24	661133	1	BRKT, RADIATOR, UPPER
25	3334426	1	ISOLATOR-RAD MNT
26	713527	1	P-CLAMP, VINYL COVERED, 1/2 DIA
27	711374	2	NUT-NYLOC 5/16-18 ZP
28	713001	1	SCR-HH 1/4-20 X .62 PLAIN GR 5
29	713002	1	SCR-HH 1/4-20 X .75 ZP 5
30	82-54-A	1	CLAMP-P .75 I.D. 5/16 DIA.
31	711228	1	SCR-HH 5/16-18 X .75 ZP GR 5

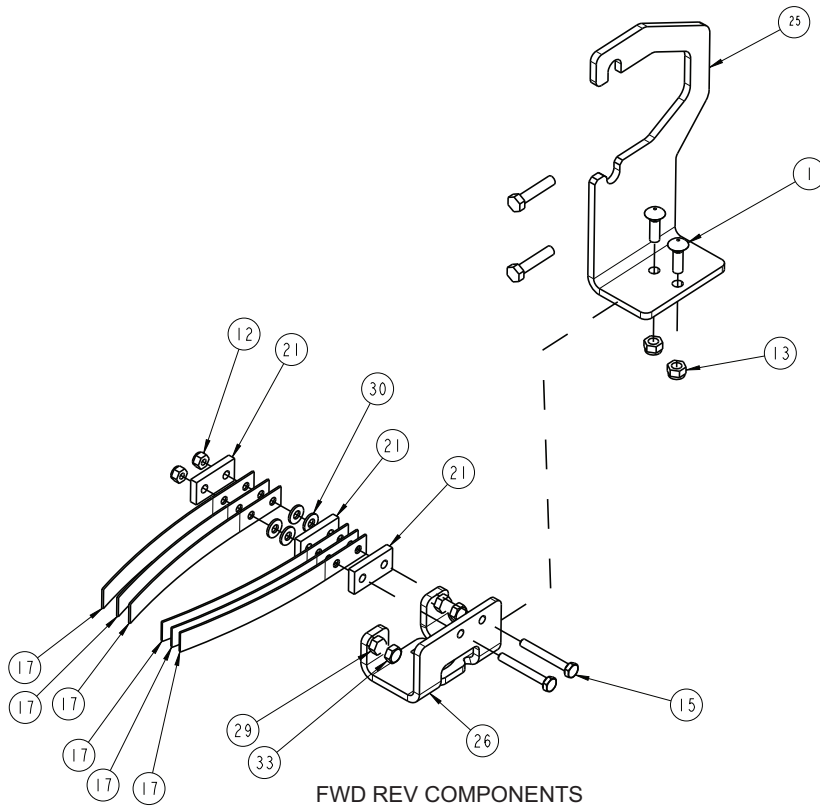
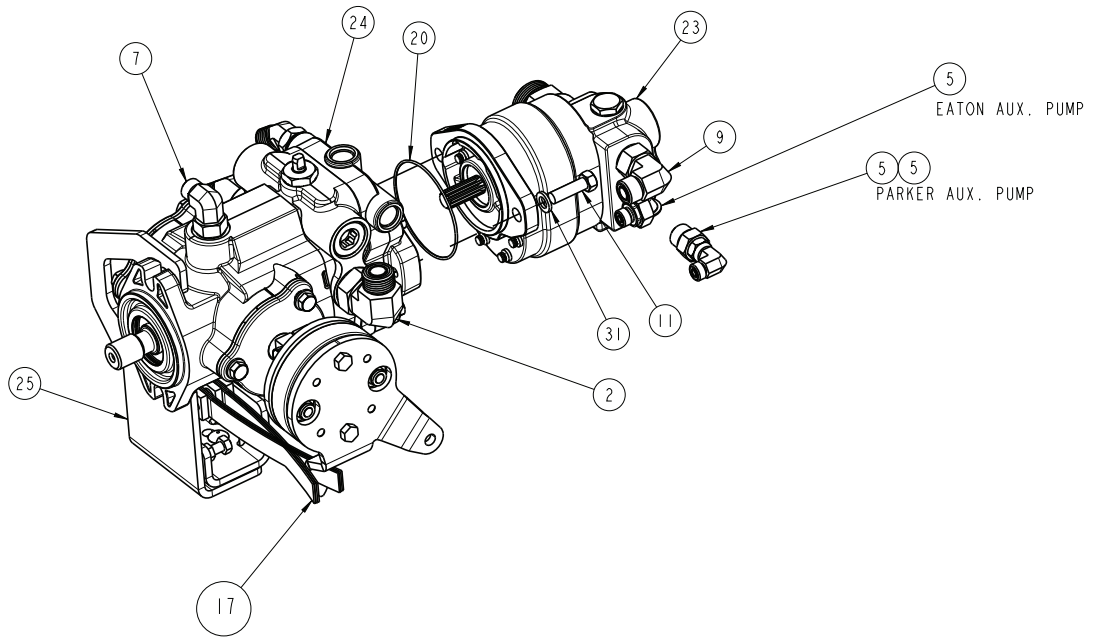
## ENGINE KUBOTA V1505 DIESEL - RADIATOR ASSEMBLY, CLAMPS, HOSES & SENDERS

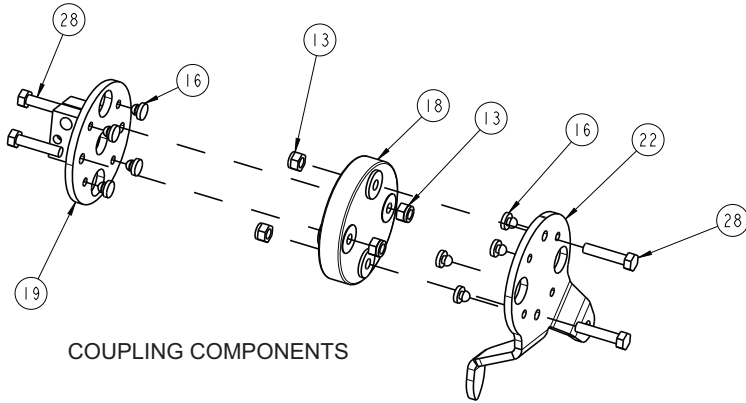
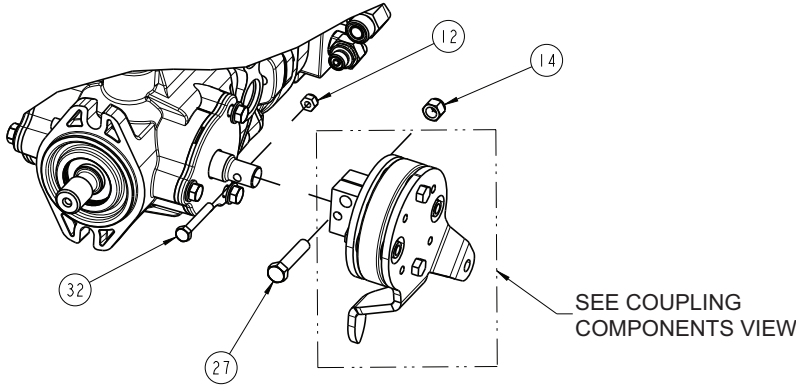
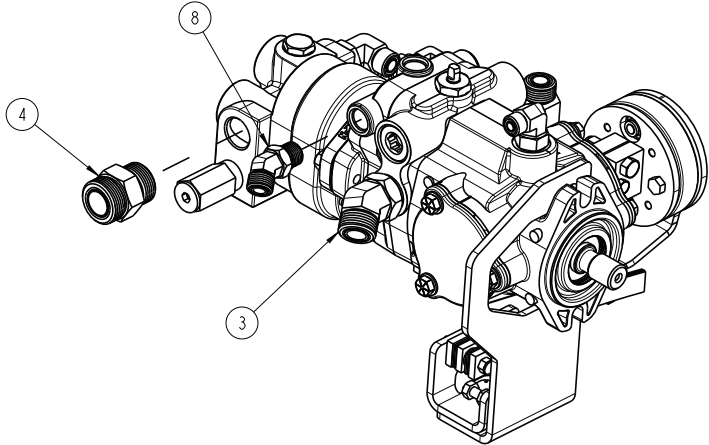




<b>ENGINE KUBOTA V1505 DIESEL - RADIATOR ASSEMBLY, CLAMPS, HOSES &amp; SENDERS</b>			
<b>ITEM</b>	<b>PART NO.</b>	<b>REQ'D</b>	<b>DESCRIPTION</b>
2	713527	2	CLAMP-HOSE 1/2 NOM
3	3301158	4	CLAMP-HOSE 1.25 NOM
5	3345502	1	ADAPTER, OIL DRAIN - MALE/FEMALE
7	3345503	1	FTG-BRASS,3/8" BARB X 1/4" MALE NPT
8	3345506	1	FTG-BRASS,3/8" BARB X 1/4" FEMALE NPT
9	3332643	1	HOSE-RAD UPPER 1505
10	690020	1	HOSE-RAD LOWER 1505
11	3345505	1	HOSE - 1/2" ID X 24" PCV OIL DRAIN
12	3341069	1	SENDER-OIL PRESSURE 12V
13	3341070	1	SENDER-TEMPERATURE 12V
14	711206	2	SCR-HH 1/4-20 X .87 ZP GR 5
15	3400385	1	WASHER-CONICAL SPRING 3/8
16	3401122	0.100	565 PST. Thrd Slnt 50ml (WHITE LOCTITE 565)
17	3343082	1	CLAMP-PIPE, 9/16 DIA, INSULATED

**ENGINE KUBOTA V1505 DIESEL, HYDRAULIC PUMP DETAIL**





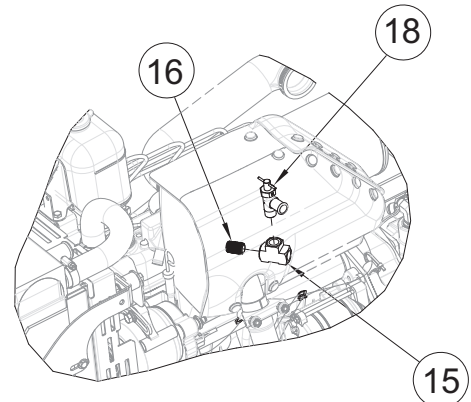
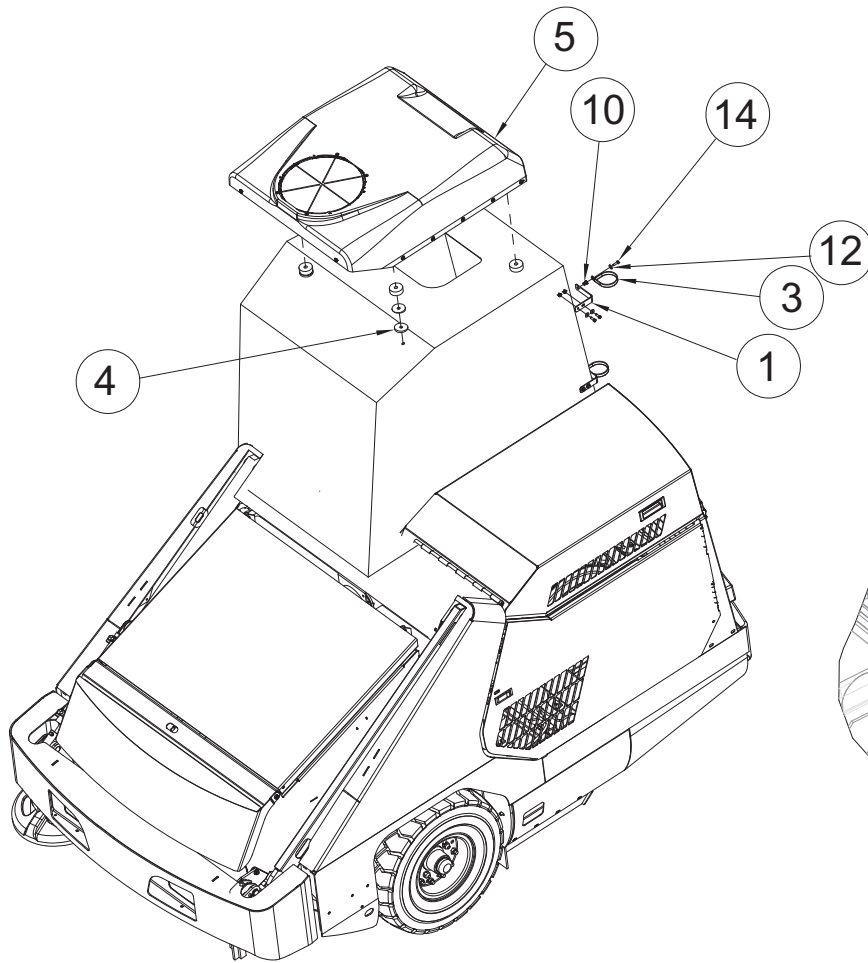
COUPLING COMPONENTS

ENGINE KUBOTA V1505 DIESEL - HYDRAULIC PUMP DETAIL			
ITEM	PART NO.	REQ'D	DESCRIPTION
1	70-516-16	2	BLT-CARR 5/16-18 X 1 ZP
2	675500	1	FTG-ORFS 90 ELBOW -10 -12 SAE
3	675502	1	FTG-ORFS 45 ELBOW -12 -12 SAE
4	675505	1	FTG-ORFS STR THD -16 -16 SAE
5	675512	1	FTG-ORFS 90 ELBOW -4 -8 SAE (EATON AUXILIARY PUMP)
	675513	1	FTG-ORFS STR THD -4 -8 SAE (PARKER AUXILIARY PUMP)
	675739	1	FTG-ORFS 90 ELBOW SWIVEL NUT -4 -4 SAE (PARKER AUXILIARY PUMP)
7	675520	1	FTG-ORFS 90 ELBOW -6 -8 SAE
8	675527	1	FTG-ORFS 45 ELBOW -8 -8 SAE
9	675528	1	FTG-ORFS 90 ELBOW -8 -10 SAE
11	711250	2	SCR-HH 3/8-16 X 1.25 ZP GR 5
12	711373	3	NUT-NYLOC 1/4-20 ZP
13	711374	6	NUT-NYLOC 5/16-18 ZP
14	711380	1	NUT-NYLOC 3/8-16 ZP
15	713007	2	SCR-HH 1/4-20 X 2.00 ZP GR 5
16	3300526	8	BUMPER-RUBBER 1/4 ID X 1/8 THK
17	3300543	6	SPRING-FWD/REV RETURN
18	3301507	1	COUPLING-RUBBER, DIR CONTROL
19	3301544	1	DISC FWD/REV ZP
20	3303711	1	ORING-STATIC SEAL 3.239 ID
21	3303918	3	SPACER-FWD/REV BRACKET ZP
22	3307219	1	PLATE-DIRECTIONAL CONT PLTD SW/A
23	3321397	1	PUMP-AUX HYDRAULIC (9XR, 9XD, 10X, AM9D)
24	3335072	1	PUMP-PISTON, VARIABLE, 1.44 CIR, PROPEL

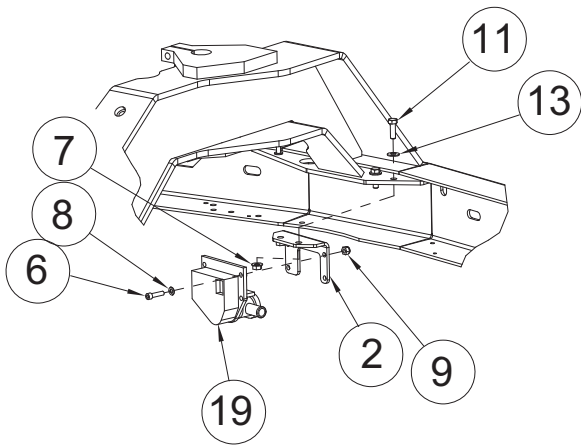
ENGINE KUBOTA V1505 DIESEL - HYDRAULIC PUMP DETAIL			
ITEM	PART NO.	REQ'D	DESCRIPTION
25	3335200	1	PLATE- FWD/REV SPRING MNT V1505
26	3335301	1	BRKT-FWD/REV ZP. 9X
27	3400027	1	SCR-HH 3/8-16 X 1.75 ZP
28	3400033	4	SCR-HH 5/16-18 X 1.50 ZP GR 5
29	3400069	2	NUT-HEX 5/16-24 ZP
30	3400089	4	WASHER-FLAT 1/4 ZP
31	3400101	2	WASHER-LOCK 3/8 SPLIT ZP
32	3400173	1	SCR-HH 1/4-20 X 1.75 ZP GR 5 PART THRD
33	3400221	2	SCR-HH 5/16-24 X 1.00 ZP GR 5

## OPTIONS

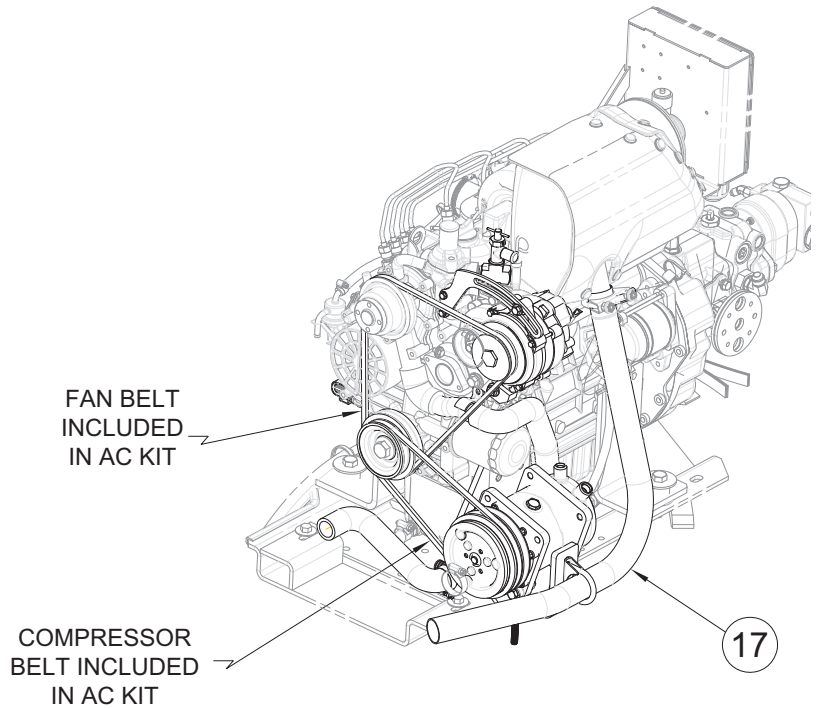
OPT - AIR CONDITIONING, DSL (3316990)



THERMOSTAT HOUSING - REF



WATER VALVE INSTALL DETAIL



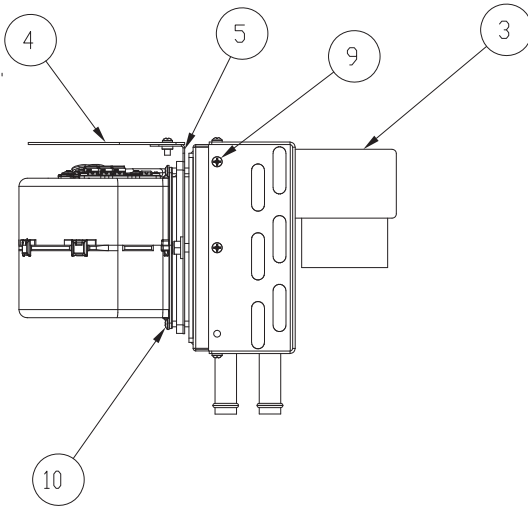
FAN BELT INCLUDED IN AC KIT

COMPRESSOR BELT INCLUDED IN AC KIT

<b>OPT-AIR CONDITIONING, DSL (3316990)</b>			
<b>ITEM</b>	<b>PART NO.</b>	<b>REQ'D</b>	<b>DESCRIPTION</b>
1	650170	2	BRKT, AC LINE SUPPORT
2	650252	1	BRKT, HEAT VALVE SUPPORT
3	690436	2	CLAMP-P TYPE 2-3/4 VINYL CUSHION
4	690927	4	ISOLATOR, WEDGE SHAPED
5	690950	1	AIR CONDITIONER/HEATER, 9X
6	710826	4	SCR-SHCS 1/4-20 X 1.00 SS
7	711379	2	NUT-FLANGED WIZZ 5/16-18 ZP
8	711577	4	WASHER-FLAT .260 X .50 X .020
9	712667	4	NUT-NYLOC 1/4-20 SS
10	730535	6	INSERT-M6-1.00, .7 - 4.2 GRIP
11	3400035	2	SCR-HH 5/16-18 X 1.00 ZP GR 5
12	3400383	6	WASHER-CONICAL SPRING 1/4
13	3400384	2	WASHER-CONICAL SPRING 5/16
14	11038098	6	SCR-HH M6-1.0 X 20 ZP CLASS 8.8 DIN
15	3303303	1	FTG-TEE 3/8 FPT
16	3303304	1	FTG-NIPPLE 3/8 BRASS
17	3330886	1	KIT-A/C (EPS) SW/9X V1505 KBA
18	3334443	1	TRUCK VALVE-.625 HOSEX.375 PIPE THD
19	REFERENCE		ELECTRIC WATER VALVE - INCLUDED WITH A/C UNIT

## OPT - HEATER (690087)

INSTALL EDGING  
(P/N: 3500118)  
ON CURVED EDGE.

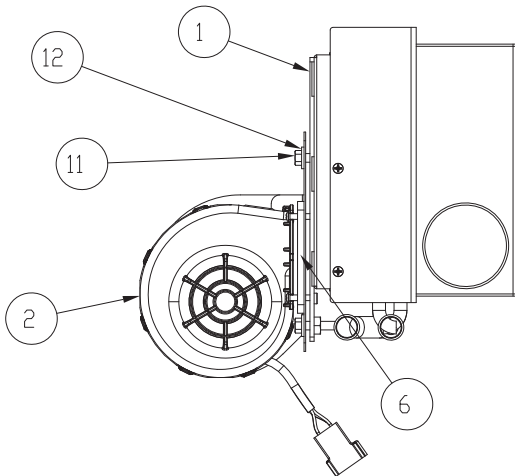


6X 14 USE TO INSTALL HOSE ON LOUVERS,  
Y-ADAPTERS, AND PLENUM BOX.



13

USE TO SECURE HEATER  
HOSE DURING ROUTING



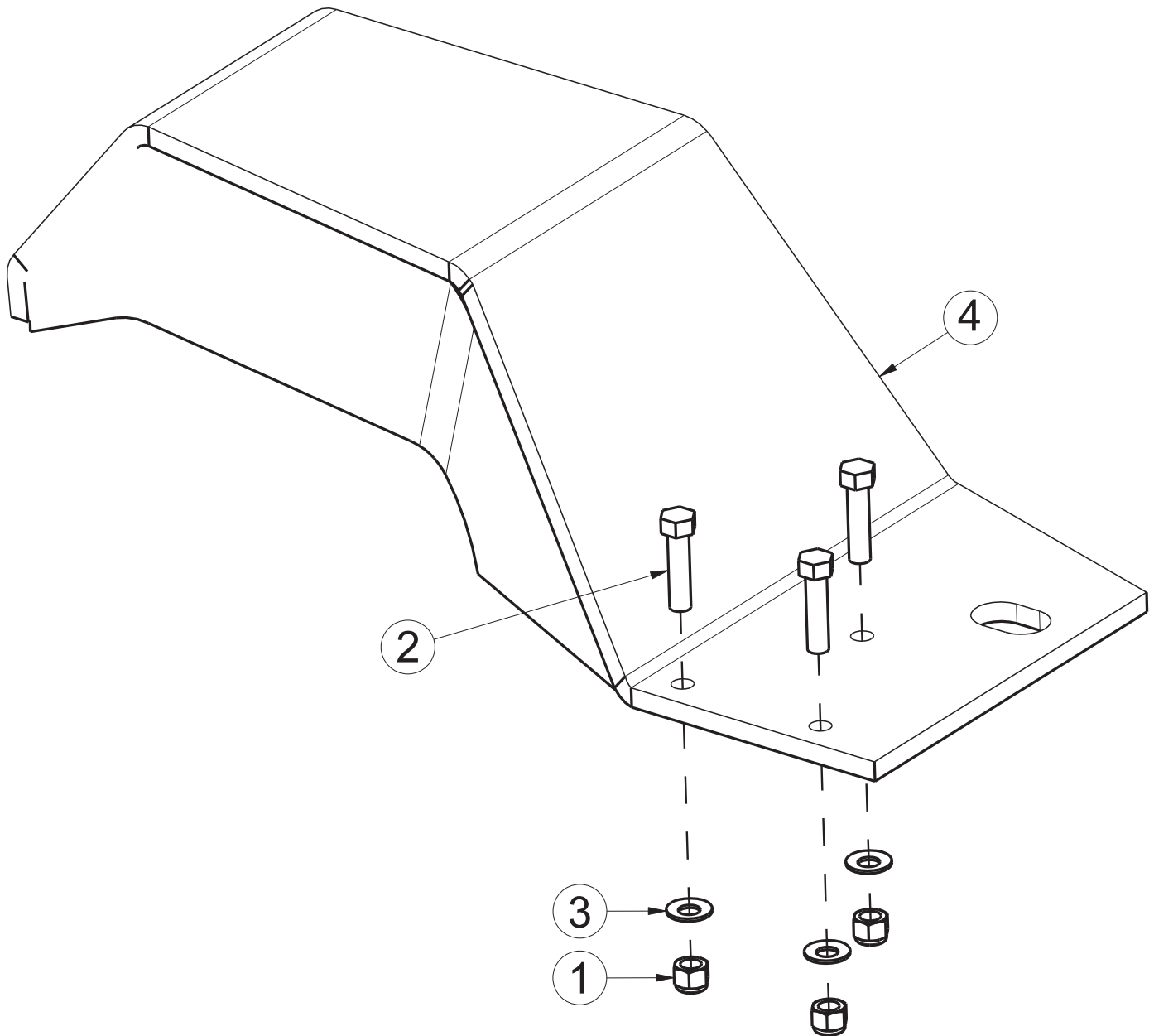
7 FOR USE WITH MICHIGAN  
SEAT OPTION ONLY





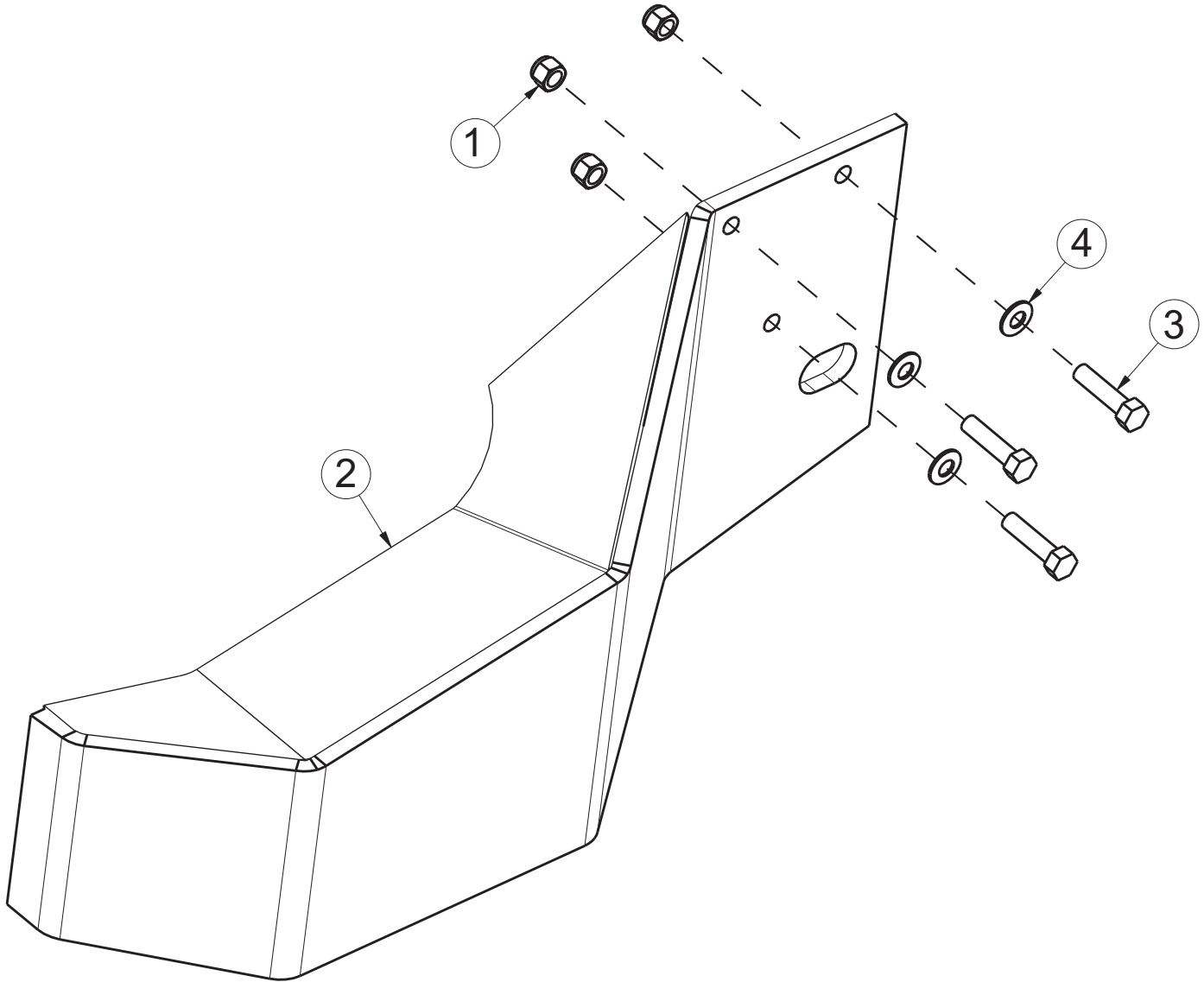
<b>OPT - HEATER (690087)</b>			
<b>ITEM</b>	<b>PART NO.</b>	<b>REQ'D</b>	<b>DESCRIPTION</b>
1	690080	1	ASSEMBLY, MTG, HEATER, 9X/10X
2	690086	1	HEATER, BTU 16000, 12V, 9X/10X OPTION
3	690096	1	W/D, ASSY, PLENUM BOX, HEATER 9X/10X
4	690097	1	SHROUD, TOP, HEATER MOTOR
5	690098	1	ASSY, MTG, HEATER MOTOR 9X/10X
6	690099	1	GASKET, HEATER BLOWER MOTOR
7	690429	1	BRACKET, MICHIGAN SEAT STOP
9	710328	10	SCR-MC RD HD 8-32X.37 STL
10	710331	4	SCR-MC 8-32 X .75 ZINC
11	711207	2	BLT-HH 1/4-20 X 1.00 STPL
12	711505	2	WASHER-FLAT 1/4 ZP
13	828062	6	CABLE TIE LARGE
14	3300336	6	CLAMP-HOSE 2.5 SS
***	748717	1	HARNESS ASSY, HEATER POWER
***	748718	1	HARNESS ASSY, HEATER CONTROL
***	3322601	1	FUSE-15 AMP AUTOMOTIVE PUSH IN
***	690039	1	FTG-TEE 1-1/4 HBX 1-1/4 HB X 3/4 HB BRAS
***	3334443	1	TRUCK VALVE-.625 HOSEX.375 PIPE THD
***	3303304	1	FTG-NIPPLE 3/8 BRASS
***	3500118	1	EDGING-VINYL TRIM 1/8" X 250'
***	3303072	1	SWITCH-3 SPEED
***	3303073	1	KNOB-ROTARY SWITCH 3-SPEED
***	3400820	1	CONN-WATER LINE 5/8ID X 3/8THD
***	620653S	32 FT	HOSE, COOLANT, 5/8 IN ID, RAW
***	3303303	1	FTG-TEE 3/8 FPT
***	3310096	2	DECAL-CAB SWITCH BOX ARMA
***	3302193	2	CLAMP-HOSE 1.25 NOM
***	3302144	4	CLAMP-HOSE 1/2 NOM
***	711210	1	SCR-HH 1/4-20 X 1.25 ZP GR 5 FULL THRD

**OPT - HD CURB BROOM, RIGHT (3317302)**



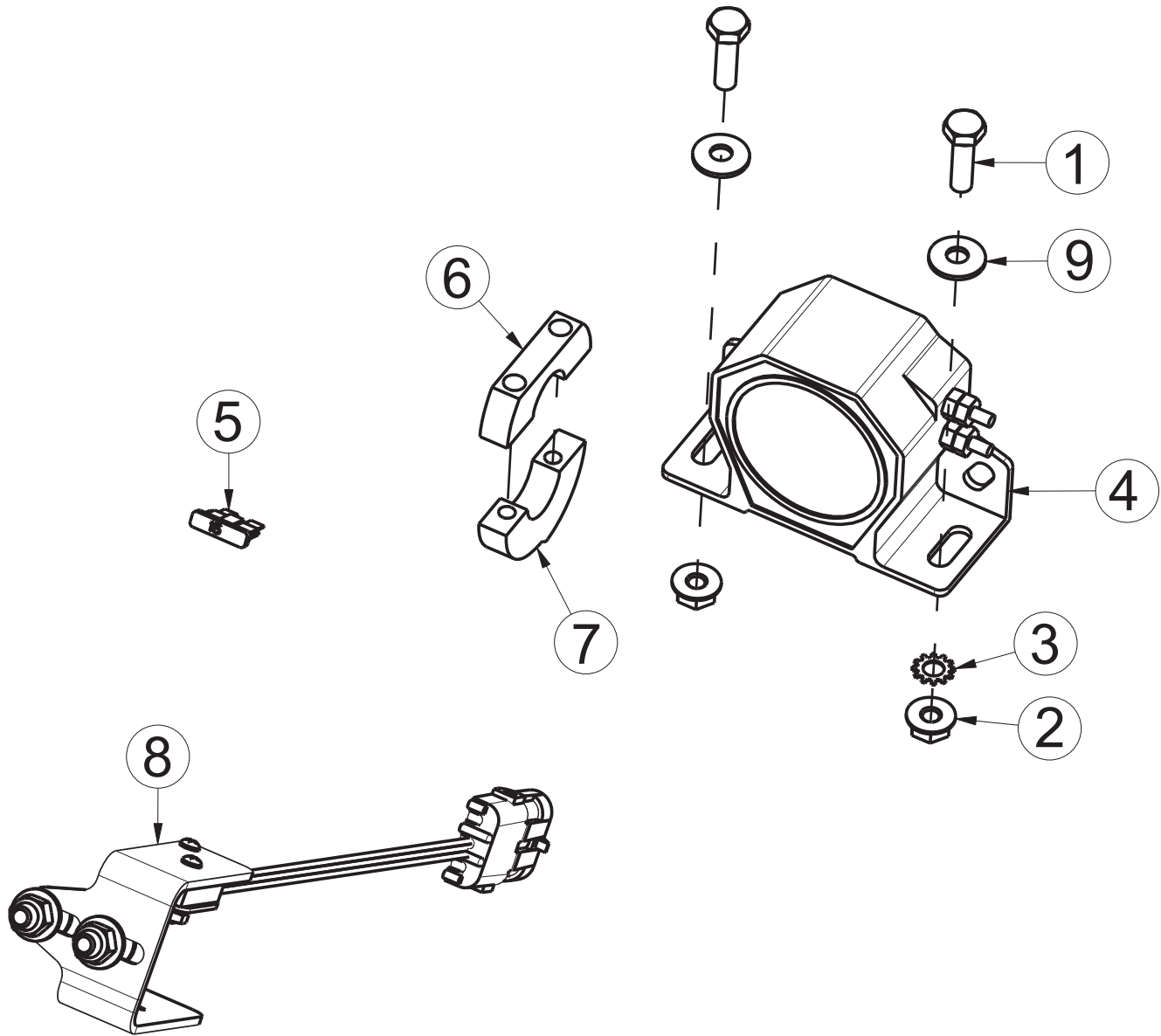
<b>OPT - HD CURB BROOM, RIGHT (3317302)</b>			
<b>ITEM</b>	<b>PART NO.</b>	<b>REQ'D</b>	<b>DESCRIPTION</b>
1	711380	3	NUT-NYLOC 3/8-16 ZP
2	3400028	3	SCR-HH 3/8-16 X 1.50 ZP GR 5
3	3400385	3	WASHER-CONICAL SPRING 3/8
4	3307726M	1	WELD-HD RH CURB BROOM GUARD, AM9D

**OPT - HD CURB BROOM, LEFT (3330752)**



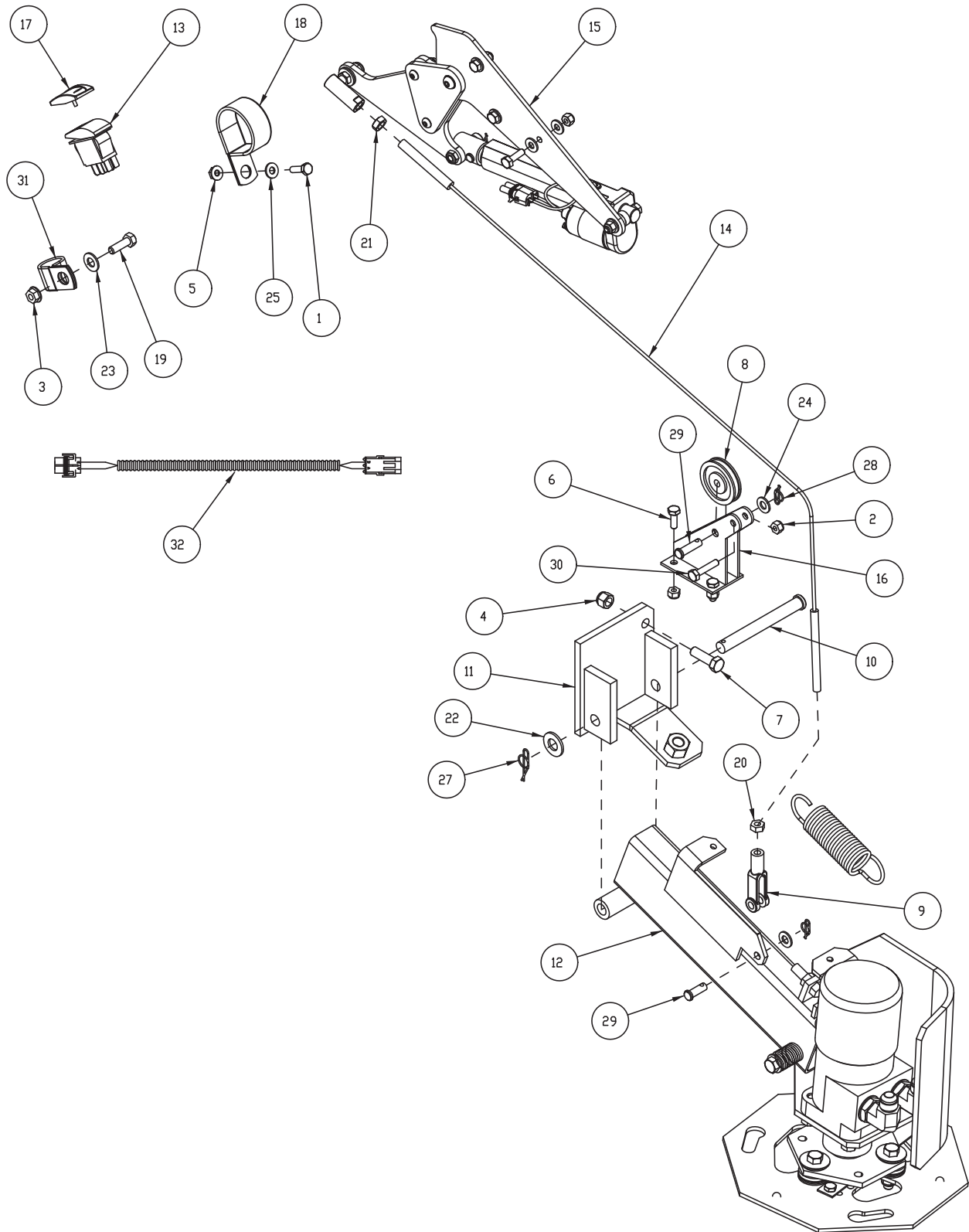
<b>OPT - HD CURB BROOM, LEFT (3330752)</b>			
<b>ITEM</b>	<b>PART NO.</b>	<b>REQ'D</b>	<b>DESCRIPTION</b>
1	711380	3	NUT-NYLOC 3/8-16 ZP
2	3330755	1	HD LH CURB BROOM GUARD SW/A
3	3400028	3	SCR-HH 3/8-16 X 1.50 ZP GR 5
4	3400385	3	WASHER-CONICAL SPRING 3/8

OPT - BACKUP ALARM & NEUTRAL SAFETY SWITCH (3317306)



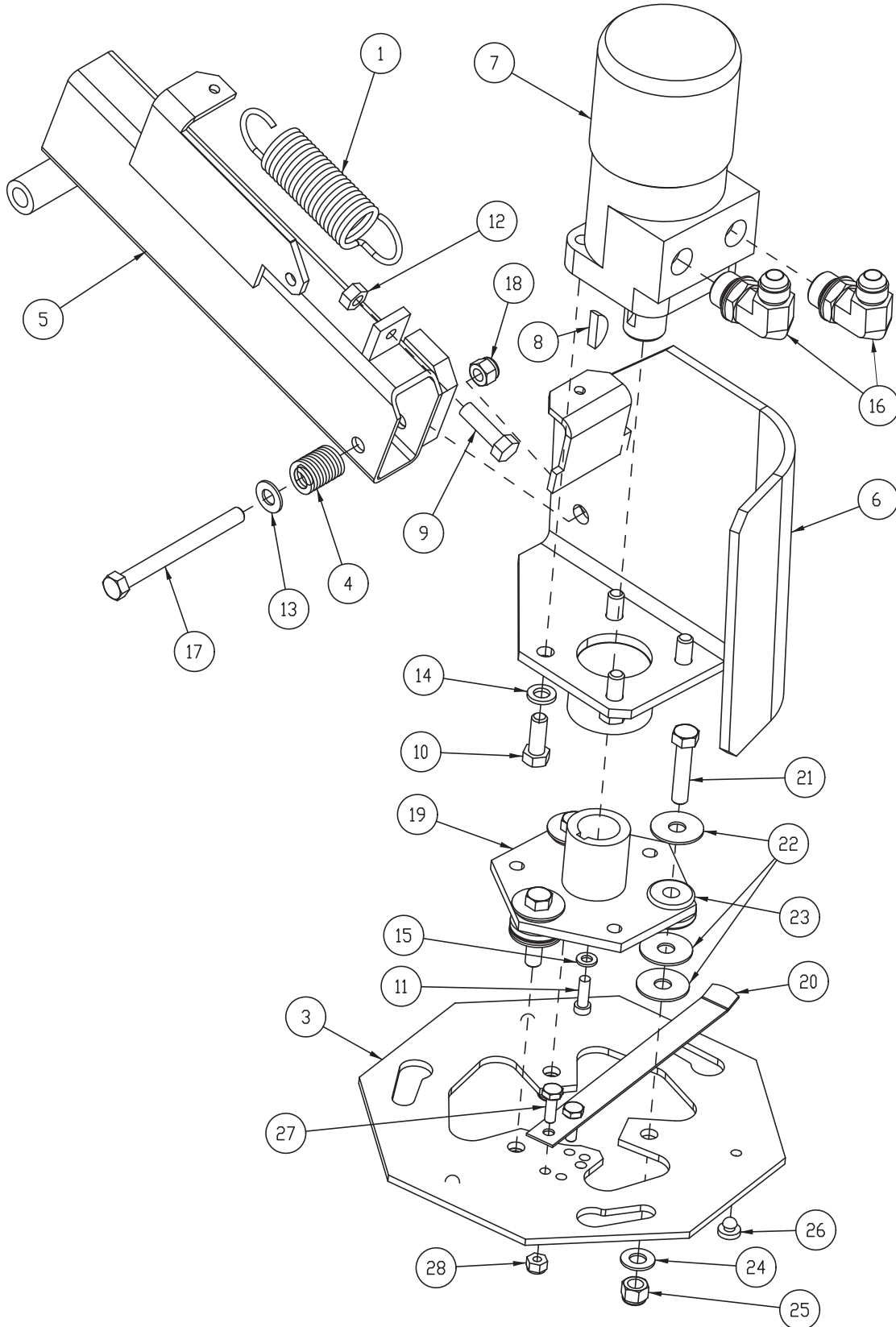
<b>OPT - BACKUP ALARM &amp; NEUTRAL SAFETY SWITCH (3317306)</b>			
<b>ITEM</b>	<b>PART NO.</b>	<b>REQ'D</b>	<b>DESCRIPTION</b>
1	713002	2	SCR-HH 1/4-20 X .75 ZP 5
2	711425	2	NUT-FLANGED WIZZ 1/4-20 ZP
3	711564	1	WASHER-EXT LOCK 1/4 ZP
4	3303002	1	HORN-BACK UP, 97 db(A), 12VDC
5	3322601	1	FUSE-15 AMP AUTOMOTIVE PUSH IN
6	3335222	1	CAM-SWITCH, LOWER THRTL POS
7	3335223	1	CAM-SWITCH, UPPER, BACKUP
8	3337850	1	ASSY - BACKUP ALARM SWITCH, ARMADILLO
9	3400383	2	WASHER-CONICAL SPRING 1/4
10	749068	1	HARNESS ASSY, BACKUP ALARM

## OPT - LH CURB BROOM KIT ASSEMBLY (3338666-ZH)



OPT - LH CURB BROOM KIT ASSEMBLY (3338666-ZH)			
ITEM	PART NO.	REQ'D	DESCRIPTION
1	711206	1	BLT-HH 1/4-20 X .87 STL ZINC
2	711373	3	NUT-NYLOC 1/4-20
3	711379	1	NUT-FLANGED WIZZ 5/16-18
4	711380	2	NUT-NYLOC 3/8-16
5	711425	1	NUT-FLANGED WIZZ 1/4-20 STL ZP
6	713002	2	BLT-HH 1/4-20 X .75 #5 ZINC
7	713043	2	BLT-HH 3/8-16 X 1.25 #5
8	3300368	1	PULLEY-PLASTIC 2" x .25" GROOVE
9	3307642	1	CLEVIS-5/16 PLTD SW/A
10	620027	1	PIN-CLEVIS 1/2 X 4.50 ZP
11	3317214P	1	MNT-DUAL CURB BROOM PNTD
12	3319421	1	ASSY-DUAL CURB BROOM (SEE DETAIL, PAGES 90-91)
13	3332713	1	SWITCH-DOUBLE SCRUB BROOM
14	3334946	1	CABLE-SIDE BROOM, 33" LG, 1/8"D
15	3335420	1	ASSY- SIDE BROOM LIFT LH
16	3335422	1	WELD-PULLEY LH SIDE BROOM
17	3342273	1	COVER-SWITCH, CARLING, BLACK W/LENS
18	3343539	1	CLAMP-P TYPE, 2 DIA
19	3400035	1	SCR-HEX,5/16-18X1.00 ZP
20	3400069	1	NUT-HEX 5/16-24 ZP
21	3400075	1	NUT-HEX JAM 3/8-24 ZP
22	3400086	1	WASHER-FLAT 1/2 STANDARD ZP
23	3400087	1	WASHER-FLAT 3/8 STANDARD ZP
24	3400088	2	WASHER-FLAT 5/16 IDx.688 ODx.065 THK
25	3400089	1	WASHER-FLAT 1/4 STANDARD ZP
27	3400124	1	PIN-COTTER 5/8 RUE-RING
28	3400125	2	RING-RUE 3/8 COTTER PIN
29	3400184	2	PIN-CLEVIS 5/16 X 1-1/8 ZP
30	3400227	1	SCR-HEX,1/4-20X1.25 ZP
31	3400999	1	CLAMP-HOSE 1-1/8" DIA STEEL VINYL COATE
32	3317219P	1	HARNESS-DUAL CURB BRM, 9X
	675427	1	HOSE-LH CB MTR IN TO RT CB OUT 170" (NOT SHOWN)
	675428	1	HOSE-LH CB MTR OUT TO IMP TEE 100" (NOT SHOWN)
	690262	1	DECAL, LEFT SIDE CURB BROOM - 9X

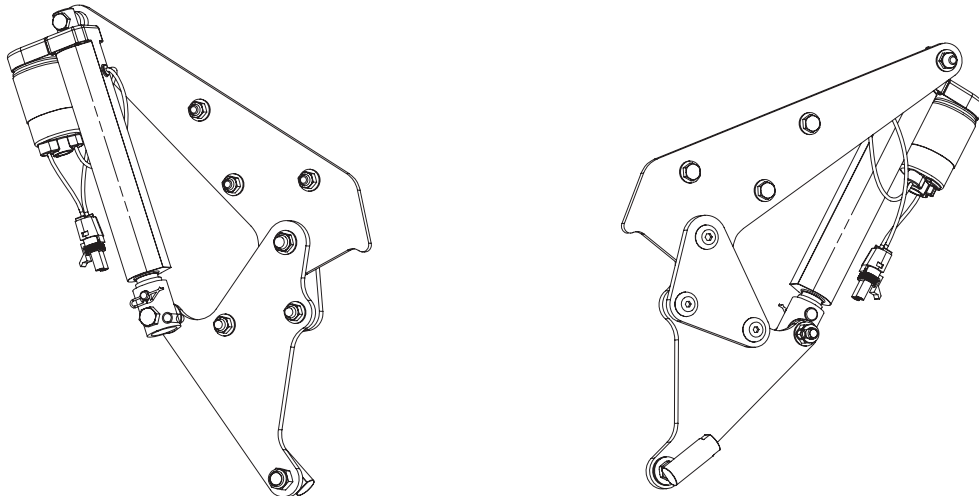
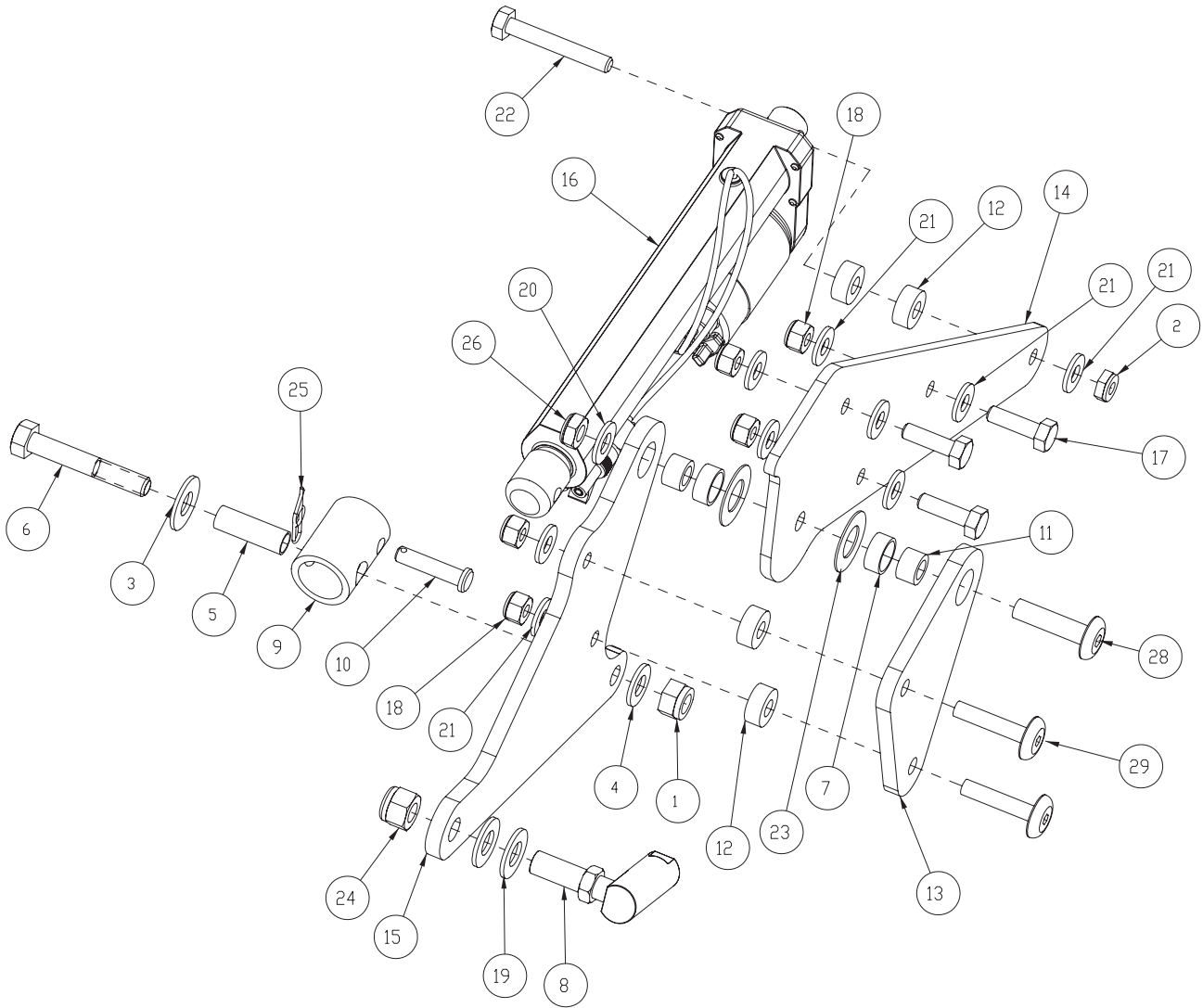
## DUAL CURB BROOM SUB-ASSEMBLY (3319421-1) INCLUDED IN OPTIONS 3332177, 3338666-Z AND 3333918





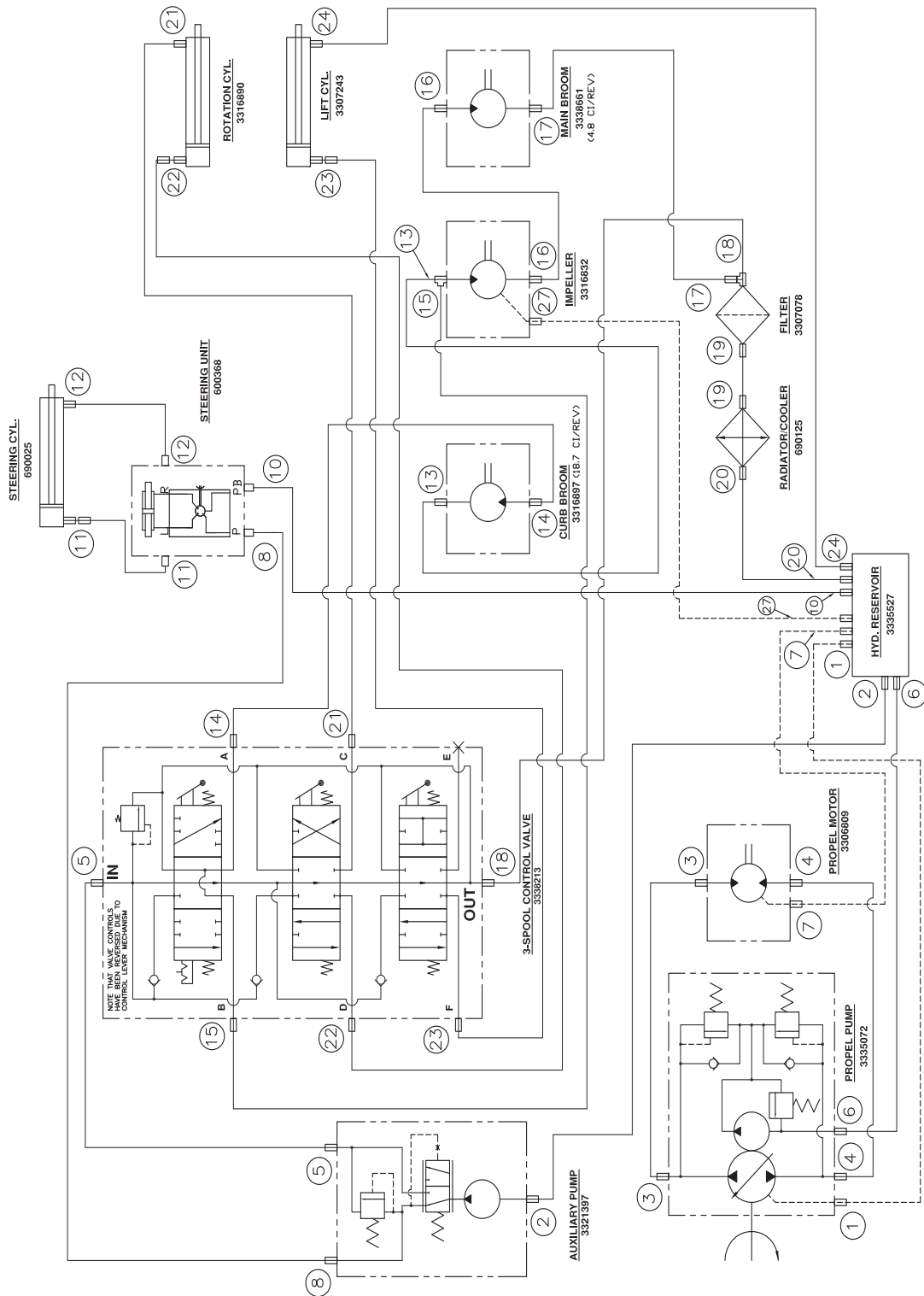
<b>DUAL CURB BROOM SUB-ASSEMBLY (3319421-1)</b>			
<b>ITEM</b>	<b>PART NO.</b>	<b>REQ'D</b>	<b>DESCRIPTION</b>
1	3302599	1	SPRING-EXT LOOPS-IN-LINE ZP
3	3301262	1	PLATE-GIMBAL SC HD
4	3306179	1	SPRING-COMPRESSION, CURB BROOM
5	3309778	1	LH CURB BROOM ARM PNTD
6	3309782	1	LH SIDE BROOM MOUNT PNTD
7	3316897	1	MOTOR-HYD CURB BRM
8	3330338	1	KEY-SHAFT D-FOSS CB/MB/SC MTRS (REPLACEMENT)
9	711250	1	SCR-HH 3/8-16 X 1.25 ZP GR 5
10	3400030	4	SCR-HEX,3/8-16X1.00, GRADE 5, ZP
11	3400049	1	SCR-SOCKET HEAD,1/4-20X0.75 ZP NYLOCK
12	3400068	1	NUT-HEX 3/8-16 ZP
13	3400087	1	WASHER-FLAT 3/8 STANDARD ZP
14	3400101	4	WASHER-LOCK 3/8 SPLIT ZP
15	3400103	1	WASHER-LOCK 1/4 SPLIT ZP
16	675528	2	FTG-STR THD ELBOW -8 ORFS TO -10 SAE
17	3400258	1	SCR-HEX,3/8-24X4.00 ZP
18	3400342	1	NUT-HEX 3/8-24 ES ZP
19	3300875	1	DRIVE HUB SC BR
20	3302058	1	BAR-CURB BROOM RETAINER
21	3400027	3	SCR-HEX,3/8-16X1.75 ZP
22	3400278	9	WASHER-FENDER 3/8
23	3300465	3	ISOLATOR-RUBBER (.375IDx.81OD)
24	3400087	3	WASHER-FLAT 3/8 STANDARD ZP
25	711380	3	NUT-NYLOC 3/8-16
26	3300526	3	BUMPER-RUBBER 1/4IDx1/8 THK
27	713002	2	BLT-HH 1/4-20 X .75 #5 ZINC
28	711373	2	NUT-NYLOC 1/4-20

## SIDE BROOM LIFT LH (3335420) INCLUDED IN OPTION 3338666-Z



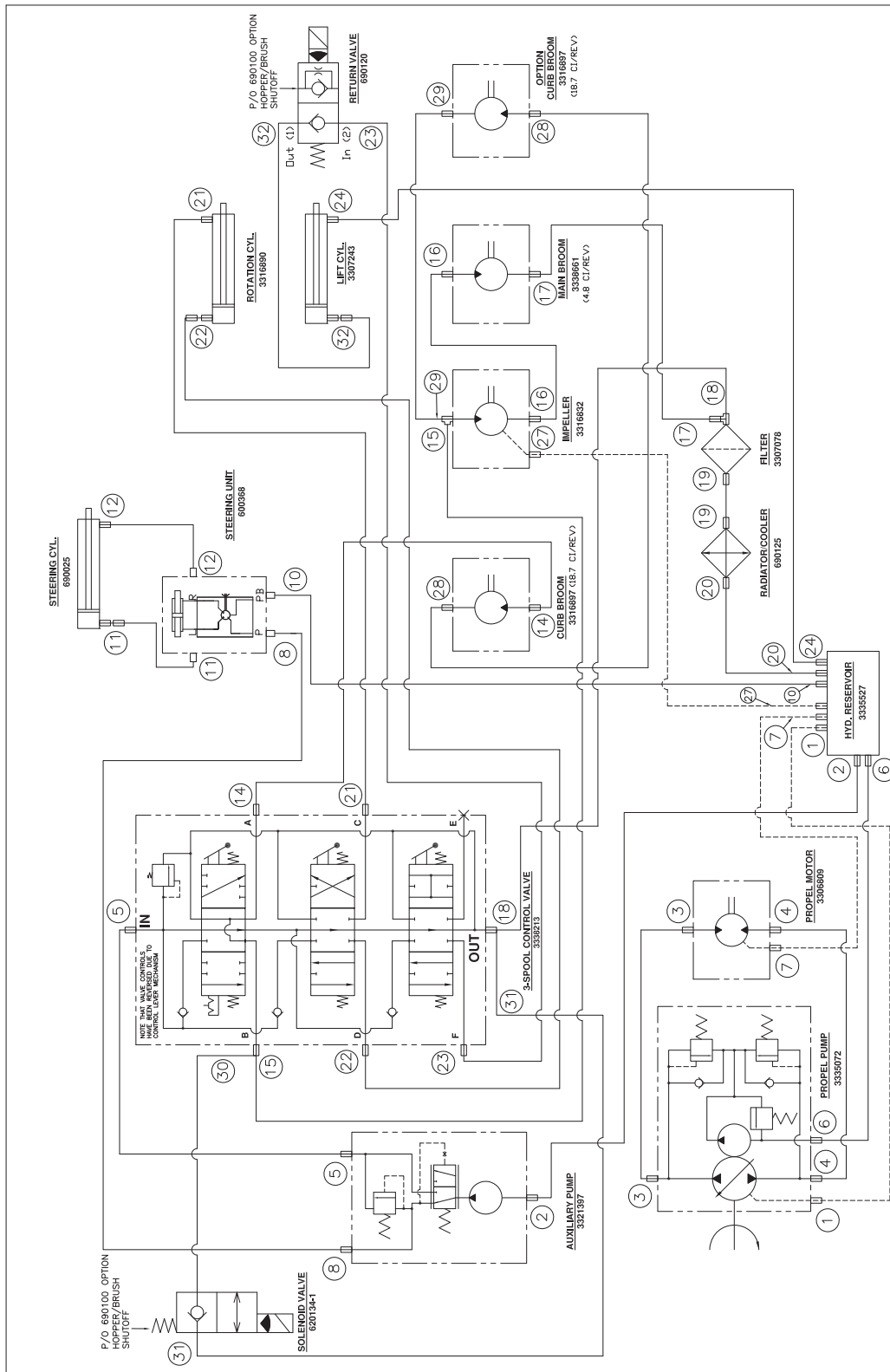
<b>SIDE BROOM LIFT LH (3335420)</b>			
<b>ITEM</b>	<b>PART NO.</b>	<b>REQ'D</b>	<b>DESCRIPTION</b>
1	711374	1	NUT -NYLOC 5 /16-18
2	711387	1	NUT -NYLOC 1/4-20 112 NUT
3	711569	1	WASHER-FLAT .390 X .880 X .062 NYL
4	712333	1	WASHER-FLAT 5/16 SS
5	713104	1	BUSHING, SLEEVE, 3/8
6	713107	1	GRD 9 ZP
7	3300431	2	BUSHING-.499 ID X . 594 DD C X. 250
8	3300461	1	BALL JOINT
9	690912	1	SLEEVE, ACTUATOR (1" X 14 GA)
10	3318887	1	PIN-CLEVIS 1/4 X 1-1/ 8
11	3335273	2	SPACER -.32 ID X .499 DD x .31 LG
12	3335274	4	SPACER -.28 ID X . 625 DD x . 26 LG
13	3335275	1	PLATE-SUPPORT SB LIFT
14	3335372	1	MOUNT - PIVOT SIDE BROOM
15	3335373	1	PLATE - PIVOT SIDE BROOM
16	3336595	1	ACTUATOR-DUAL BROOM- 12VDC WEATHERPACK
17	711206	3	SCR-HH 1/4-20 X .87 ZP GR 5
18	711373	5	NUT-NYLOC 1/4-20 ZP
19	3400087	2	WASHER-FLAT 3/8 ZP
20	3400088	1	WASHER-FLAT 5/16 X.688 X .065 ZP
21	3400089	9	WASHER-FLAT 1/4 ZP
22	3400173	1	SCREW -HHM 1/4-20 X 1.75 LG ZP
23	3400178	2	BEARING-THRUST .531 ID X 1.00 DD
24	3400342	1	NUT -HEX 3/8-24 ES ZP
25	3400742	1	RUE RING-1/4 HEAVY ZP
26	3401098	1	NUT -HEX JAM 5/16-18 ES ZP
28	3401440	1	5/16-18 X 1.25 LG ZP
29	3401983	2	SCREW BH 1/4-20 X 1.25 LG

## HYDRAULIC SCHEMATIC AM9D-III



3334846, Sheet 1 of 3, Rev E, 07/2021

**HYDRAULIC SCHEMATIC AM9D-III**

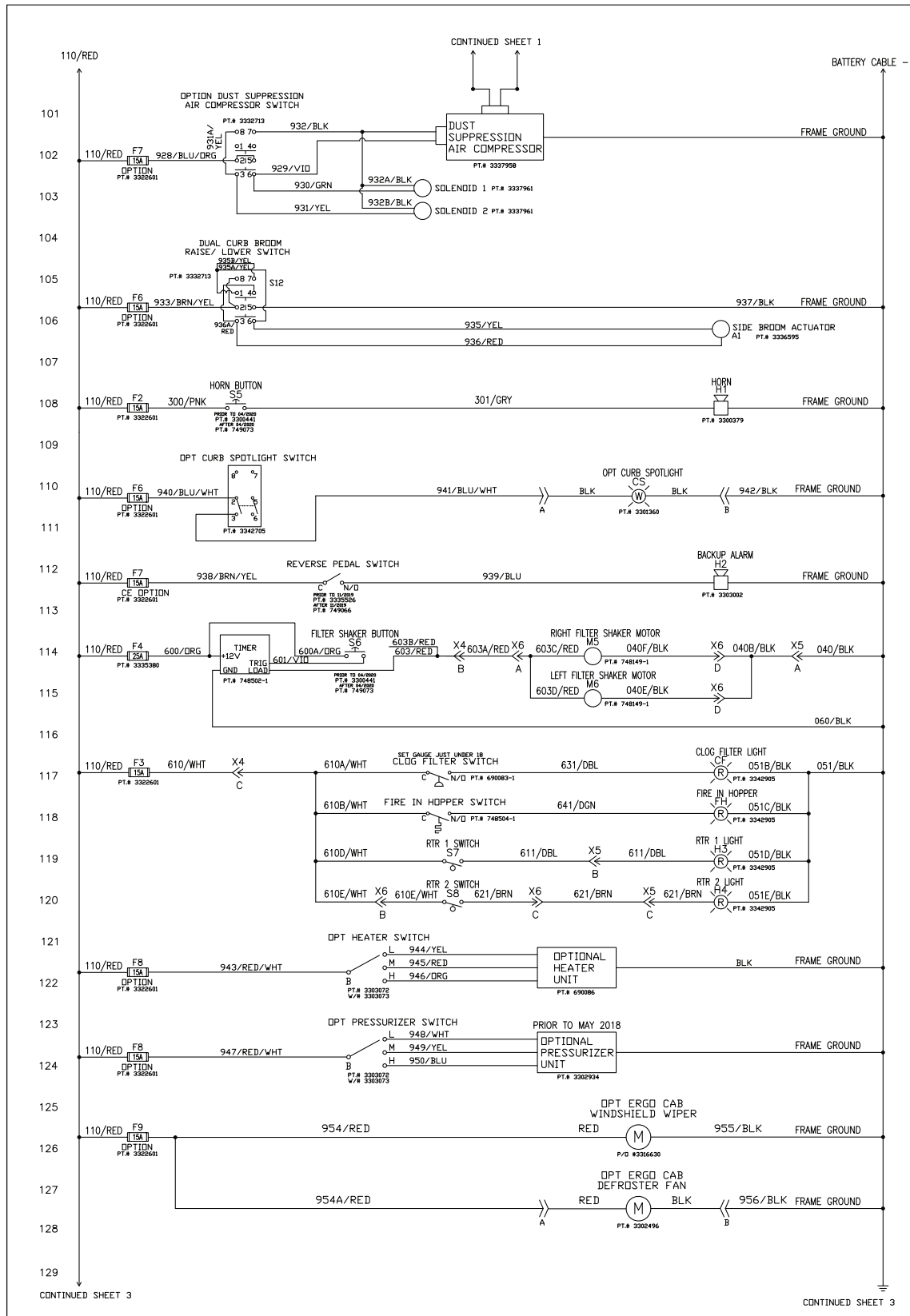


3334846, Sheet 2 of 3, Rev E, 07/2021

## HYDRAULIC SCHEMATIC AM9D-III

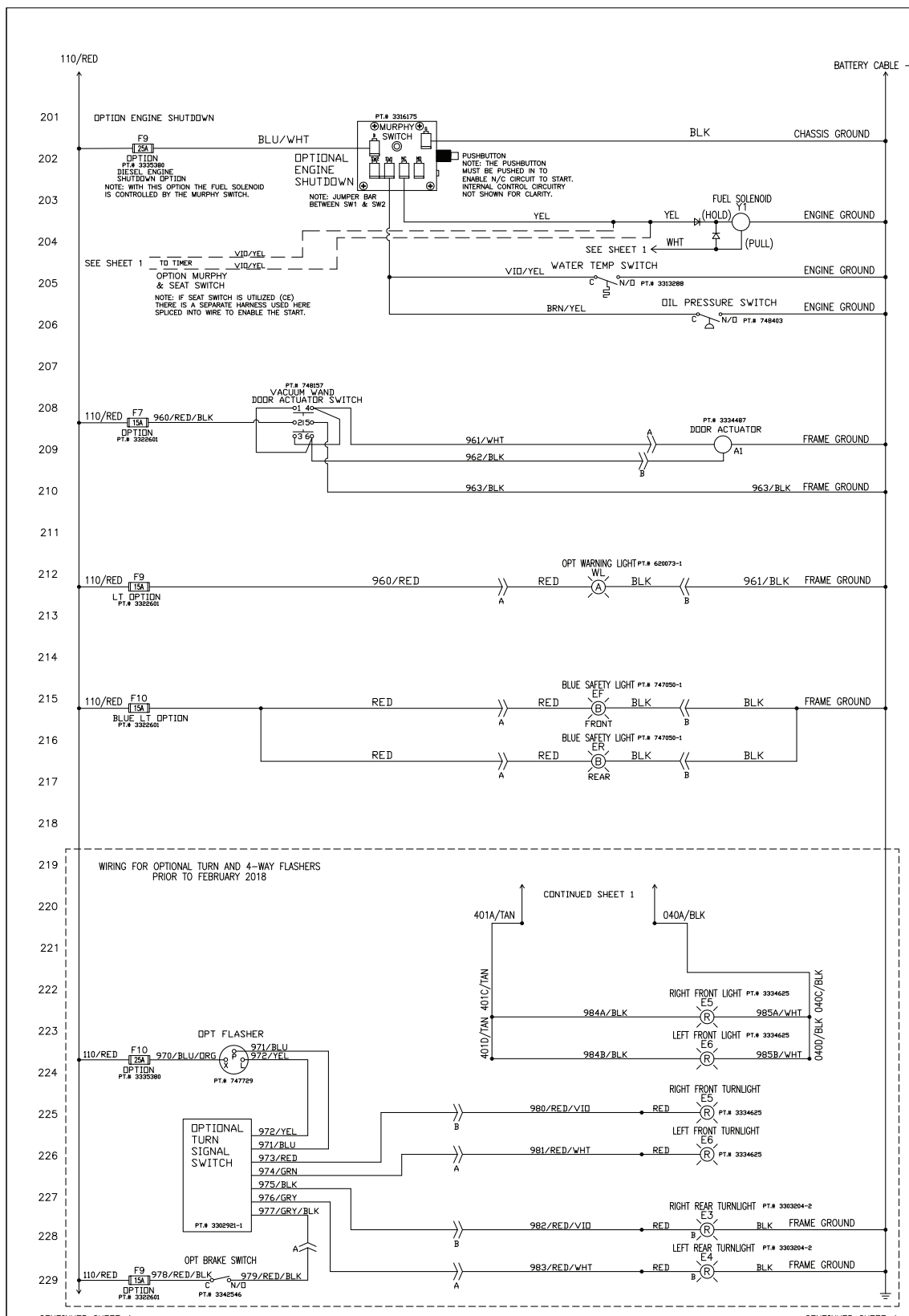
No.	Adapter 1	hose assy #	Adapter 2	RESV	HYD PUMP	AUX PUMP	IRW	CONT	PS	ROT	CB	IMP	MB	FILTER	ROT	LIFT	SOL	HOPPER	RETURN	Comments:	
1	675524	675400	675527	1	2															Reservoir to Propel pump inlet	
2	675506	675401	675505	1		2														Reservoir to Aux pump inlet.	
3	675500	675402	675501	1		2														Propel pump drivers side to Propel motor port A.	
4	675501	675403	675502	2		1														Propel motor port B to Propel pump passenger side	
5	675528	675404	675524	2		1														Aux pump to 3-spool control valve port IN.	
6	675520	675405	675521	2		1														Propel pump to reservoir	
7	675508	675406	675510	2		1														Propel motor to reservoir, case drain	
8	675512	675407	675511			1														Aux pump to Steering unit port P.	
9																					
10	675552	675409	675519	2																Steering unit to reservoir	
11	675552	675410	675518																	Steering unit L port to port P1 on steering cylinder	
12	675515	675411	675518																	Steering unit R port to port P2 on steering cylinder	
13		675412	675528																	Inlet tee to curb broom out.	
14	675524	675413	675528																	Valve port A to curb motor inlet port A.	
15	675524	675414	675525																	Control valve outlet to Impeller inlet tee. See hose 13 for details	
16	675523	675415	675523																	From Impeller out port to Main broom in port A	
17	675523	675416	675529 / 675526																	From main broom outlet Port B to filler inlet	
18	675524	675417																		From T port on control valve to filter inlet tee. See hose 17	
19	675537	675418	675530																	From filler outlet to Cooler Inlet (top of cooler pack)	
20	675503	675419	675503	2																From cooler outlet (bottom of cooler) to reservoir	
21	675513	675420	675507																	From control valve port C to rod end of rotate cylinder	
22	675507 / 675547	675421	675513																	From piston end of rotate cylinder to control valve port D	
23	675518 / 675550	675422	675513																	From piston end of lift cylinder to control valve port F	
24	675518	675423	675510	2																From rod end of lift cylinder to reservoir	
27	675508	675426	675510	2																From Impeller case drain to reservoir.	
28		675427	675528																	LH Curb Broom to RH Curb Broom	
29		675428	675528																	Impeller to RH Curb Broom	
30	675525	675414	675524																	Control Valve to Solenoid Valve	
31	675525	675414	675524																	Control Valve to Solenoid Valve	
32	675517	675422	675518																	Lift Cylinder to Hopper Return Valve	



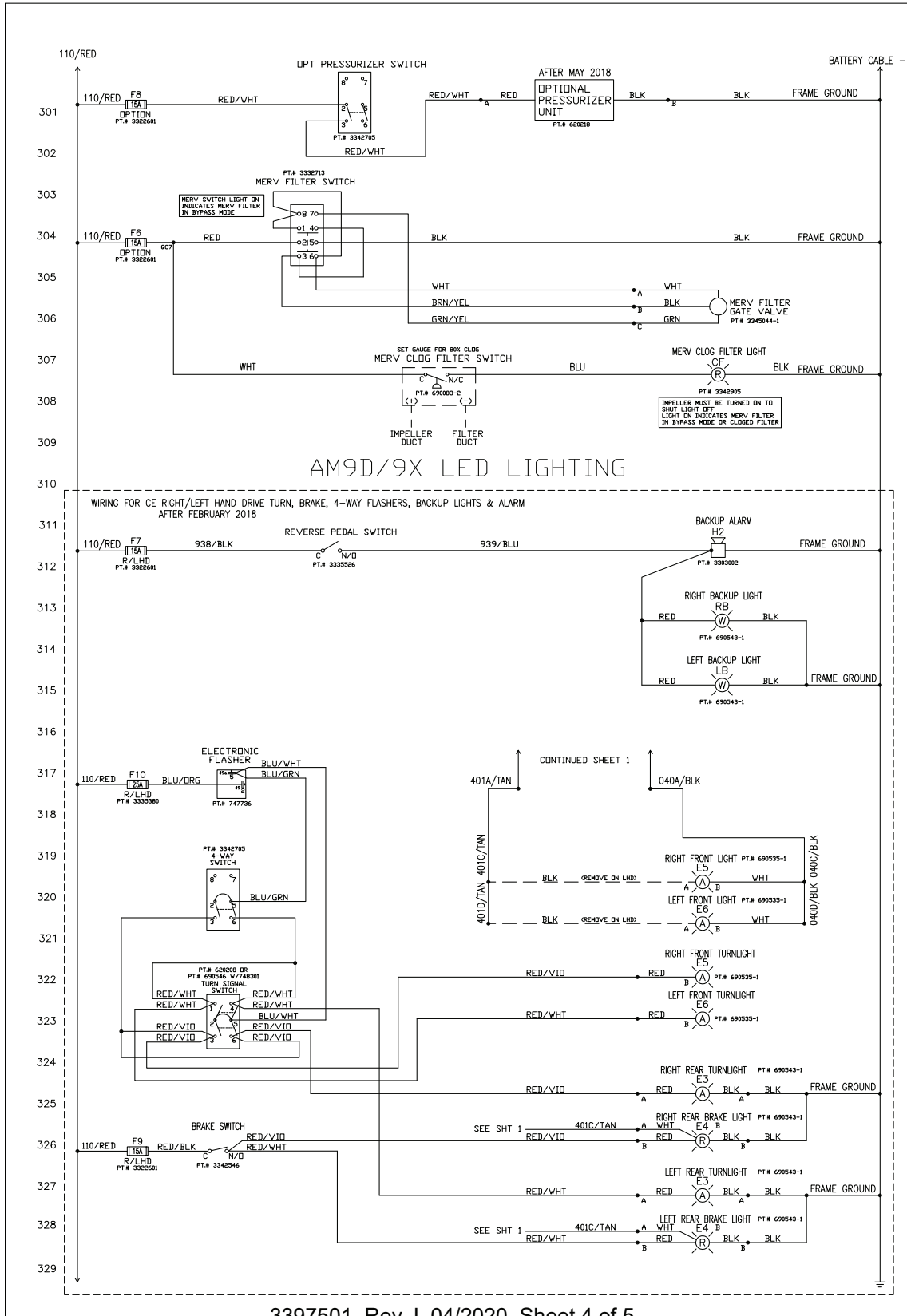


3397501, Rev J, 04/2020, Sheet 2 of 5

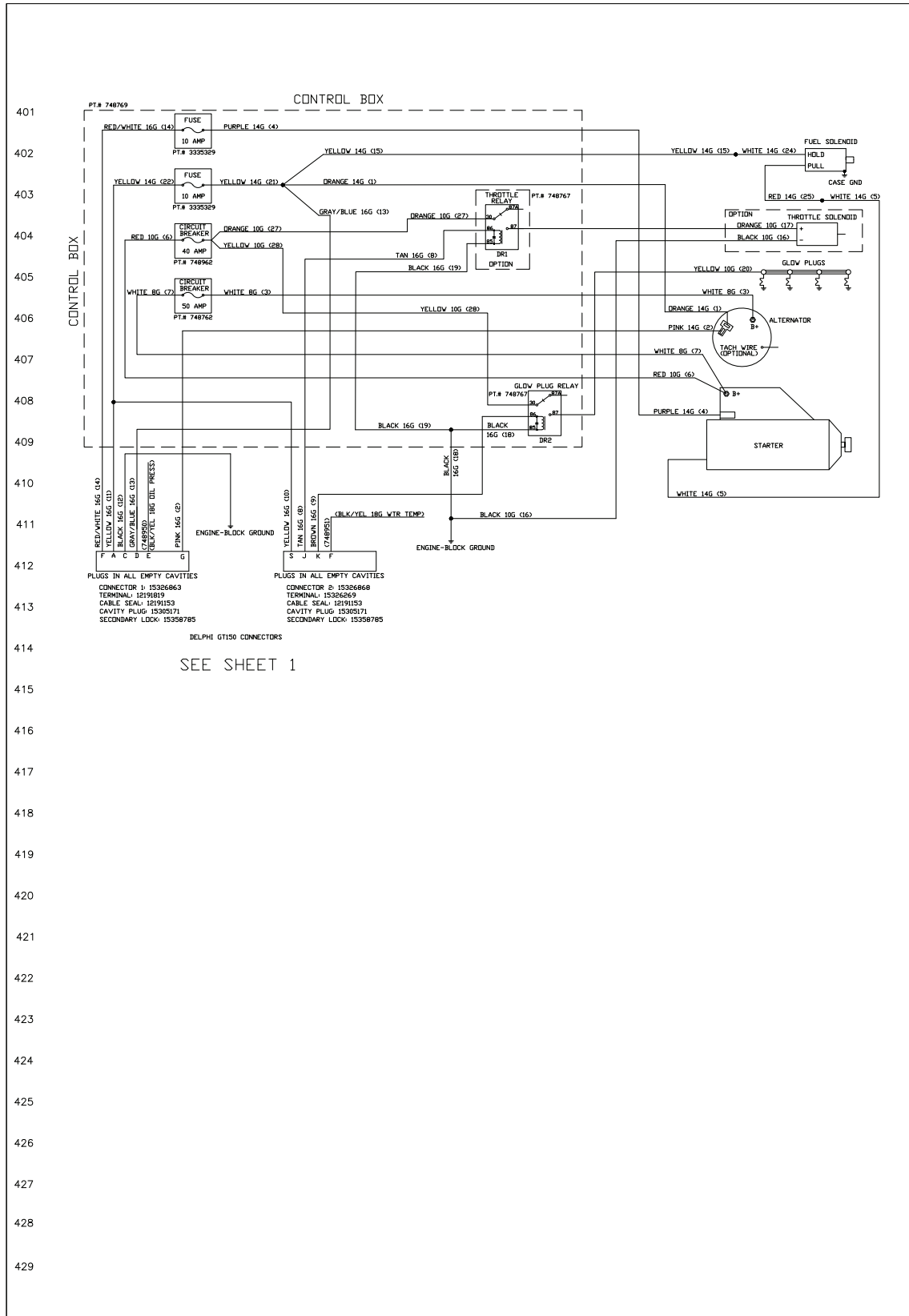




3397501, Rev J, 04/2020, Sheet 3 of 5



3397501, Rev J, 04/2020, Sheet 4 of 5



3397501, Rev J, 04/2020, Sheet 5 of 5

**PowerBoss®**  
*The Power of Clean*

***“The Power of Clean”***

**PowerBoss® Is a Full Line Manufacturer of Sweepers and Scrubbers,  
for Industrial Facilities.**

PowerBoss® 14N845 U.S. Route 20 Pingree Grove, Illinois 60140  
Phone: 800-323-9420 [www.PowerBoss.com](http://www.PowerBoss.com) email: [tech@powerboss.com](mailto:tech@powerboss.com)

**A Member of the Hako Group**

AM9D-III Sweeper 988750ZH Rev. V 06/23

© 2014-2015 Minuteman International, Inc.